

GP4100SERIES

Color Model

Ethernet Type



GP-4114T

Model: PFXGP4114T2D

RS-232C Type



GP-4115T

Model: PFXGP4115T2D
PFXGP4115T3D

RS-422/485 type



GP-4116T

Model: PFXGP4116T2D

Model Number Configuration

PFXGP411 *T *D
(1) (2)

(1) Type		(2) Type	
4	Ethernet type	2	Not equipped NVRAM
5	RS-232C type	3	NVRAM equipped
6	RS-422/485 type		

Display Specifications

	GP-4114T	GP-4115T / GP-4115T3	GP-4116T
Display Type	TFT Color LCD		
Display Size	4.3"		
Resolution	480 x 272 pixels		
Effective Display Area	W95 x H53.9mm (W3.74 x H2.12 in.)		
Display Colors	65,536 colors For details about display colors, refer to the manual for your screen editing software.		
Backlight	White LED (Not user replaceable. When replacement is required, contact your local distributor.)		
Backlight Service Life	50,000 hours or more (continuous operation at 25 ° C [77 ° F] before backlight brightness decreases to 50%)		
Brightness Control	16 levels (Adjusted with touch panel)		

Memory Specifications

	GP-4114T	GP-4115T / GP-4115T3	GP-4116T
Application Memory	8MB		
Backup Memory	FLASH EPROM 128 MB(Models other than GP-4115T3)*1 NVRAM 512KB(For GP-4115T3 only) *1		

*1 Amount of memory you can use differs depending on your screen editing software. Refer to the manual for your screen editing software.

Electrical Specifications

		GP-4114T	GP-4115T / GP-4115T3	GP-4116T	
Power Supply	Rated Input Voltage	12...24 Vdc			
	Input Voltage Limits	10.2...28.8 Vdc			
	Voltage Drop	12 Vdc: 1 ms or less 24 Vdc: 3 ms or less			
	Power Consumption	When power is not supplied to USB devices	3.9 W or less	3.4 W or less	3.6 W or less
		When power is supplied to USB devices	8.1 W or less	7.5 W or less	7.7 W or less
	In-Rush Current	12 Vdc: 20 A or less 24 Vdc: 40 A or less			
Voltage Endurance	1,000 Vac, 20 mA for 1 minute (between charging and FG terminals)				
Insulation Resistance	500 Vdc, 10 MΩ or more (between charging and FG terminals)				

GP4100SERIES

Color Model

Environmental Specification

		GP-4114T	GP-4115T / GP-4115T3	GP-4116T
Physical Environment	Surrounding Air Temperature	0...50 ° C (32...122 ° F) *2		
	Storage Temperature	-20...60 ° C (-4...140 ° F)		
	Surrounding Air and Storage Humidity	10%...90% RH (Non condensing, wet bulb temperature 39 ° C [102.2 ° F] or less)		
	Dust	0.1 mg/m ³ (10 ⁻⁷ oz/ft ³) or less (non-conductive levels)		
	Pollution Degree	For use in Pollution Degree 2 environment		
	Corrosive Gases	Free of corrosive gases		
	Atmospheric Pressure (Operating Altitude)	800...1,114 hPa (2,000 m [6,561 ft] or lower)		
Mechanical Environment	Vibration Resistance	IEC/EN 61131-2 compliant 5...9 Hz Single amplitude 3.5 mm (0.14 in) 9...150 Hz Fixed acceleration: 9.8 m/s ² X, Y, Z directions for 10 cycles (approximately 100 minutes)		
	Shock Resistance	IEC/EN 61131-2 compliant 147 m/s ² , X, Y, Z directions for 3 times		
Electrical Environment	Electrostatic Discharge Immunity	Contact discharge method: 6 kV (IEC/EN 61000-4-2 Level 3)		

*2 The designated range for the surrounding air temperature is 0 to 45 ° C (32 to 113 ° F) when the output current of USB (Type A) interface is from 0.25 A to 0.5 A.

NOTE: When using any of the options for this product, make sure to check the specifications for any special conditions or cautions that may apply to this product.

Interface Specification

	GP-4114T	GP-4115T / GP-4115T3	GP-4116T
Serial Interface	-	Asynchronous Transmission: RS-232C Data Length: 7 or 8 bits Stop Bit: 1 or 2 bits Parity: None, odd, or even Data Transmission Speed: 2,400(1,200)...115,200 bps Connector: 2-piece terminal block 9 pin x 1	Asynchronous Transmission: RS-422/485 Data Length: 7 or 8 bits Stop Bit: 1 or 2 bits Parity: None, odd, or even Data Transmission Speed: 2,400(1,200)...115,200 bps, 187,500 bps (MPI) Connector: 2-piece terminal block 9 pin x 1
USB (Type A) Interface	Connector: USB 2.0 (Type A) x 1, Power Supply Voltage: 5 Vdc ±5%, Maximum Current Supplied: 500 mA/port, Maximum Transmission Distance: Less than 3 m (9.84 ft)		
USB (mini-B) Interface	Connector: USB 2.0 (mini-B) x 1, Maximum Transmission Distance: Less than 3 m (9.84 ft)		
Ethernet interface	Standard: IEEE802.3u, 10BASET/ 100BASE-TX, Connector: Modular jack (RJ-45) x 1	-	-

Structural Specification

	GP-4114T	GP-4115T / GP-4115T3	GP-4116T
Grounding	Functional grounding: Grounding resistance of 100 Ω, 2 mm ² (AWG 14) or thicker wire, or your country's applicable standard (same for FG and SG terminals).		
Cooling Method	Natural air circulation		
Structure *3	IP65F, Type 1, Type 4X (Indoor Use only), Type 13 * on the front panel when properly installed in an enclosure.		
External Dimensions	Refer to Dimensions.		
Panel Cut Dimensions	Refer to Panel Cutout Dimensions.		
Weight	0.22 kg (0.49 lb) or less		

*3 The front face of this product, installed in a solid panel, has been tested using conditions equivalent to the standards shown in the specification. Even though this product's level of resistance is equivalent to these standards, oils that should have no effect on this product can possibly harm this product. This can occur in areas where either vaporized oils are present, or where low viscosity cutting oils are allowed to adhere to this product for long periods of time. If this product's front face protection sheet peels off, these conditions can lead to the ingress of oil into this product and separate protection measures are suggested.

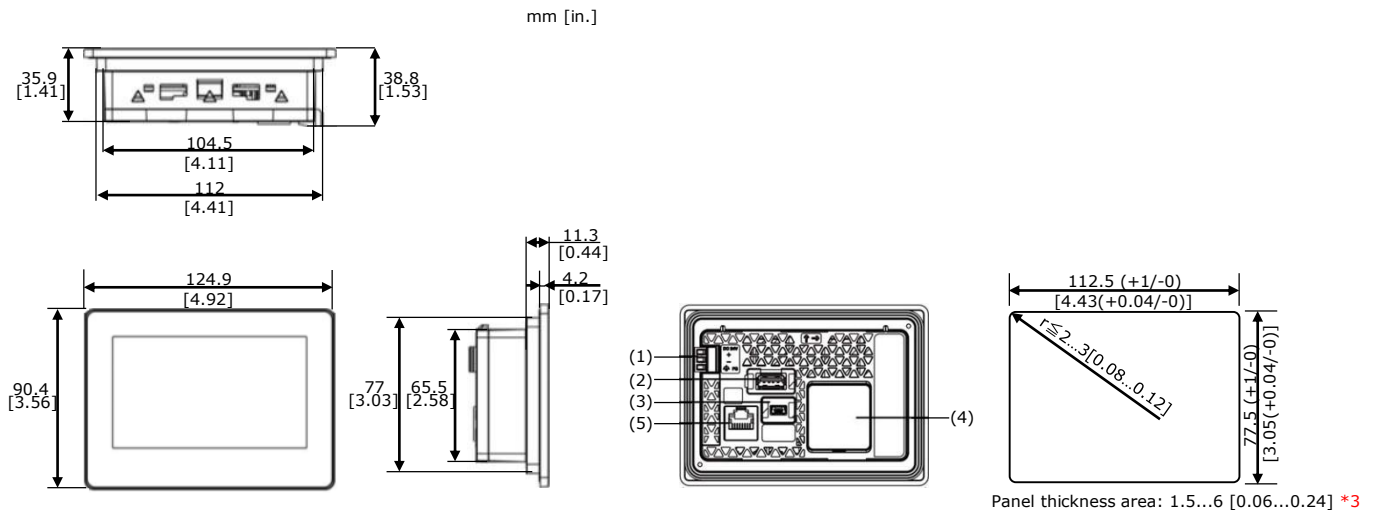
Also, if non-approved oils are present, they may cause deformation or corrosion of the front panel's plastic cover. Therefore, prior to installing this product, be sure to confirm the type of conditions that will be present in this product's operating environment. If the installation gasket is used for a long period of time, or if this product and its gasket are removed from the panel, the original level of protection cannot be kept. To maintain the original protection level, be sure to replace the installation gasket regularly.

GP4100SERIES

Color Model

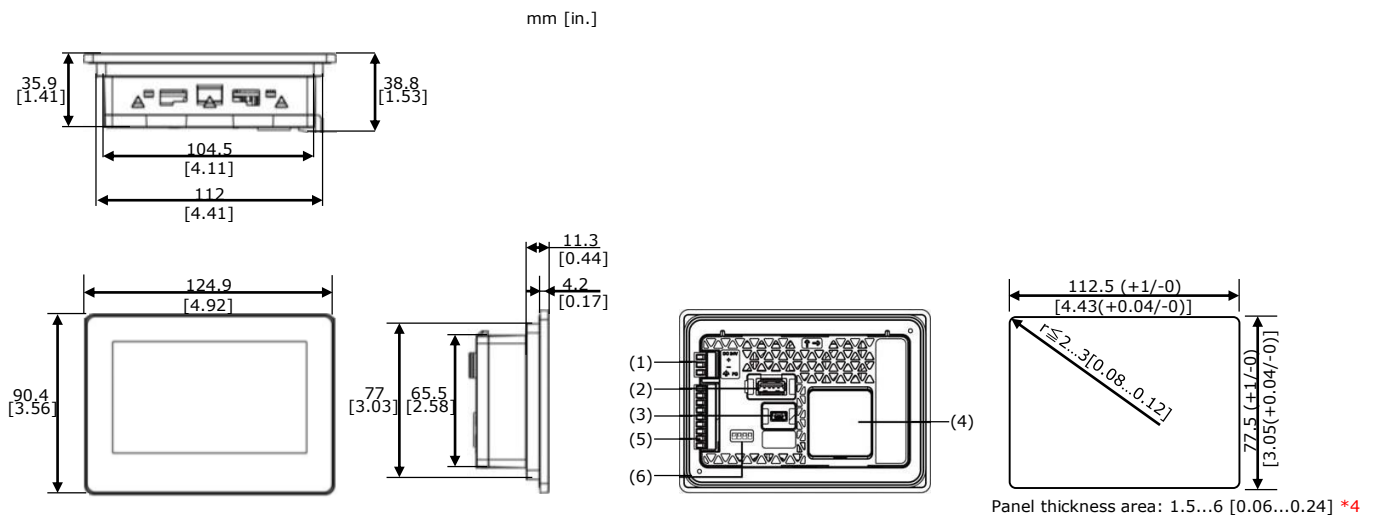
External Dimensions/Parts Identification/Panel Cut Dimensions

GP-4114T



(1) Power Connector (2) USB (Type A) Interface (3) USB (mini-B) Interface (4) RTC Battery Set Cover (5) Ethernet Interface mm [in.]

GP-4115T / GP-4116T



(1) Power Connector (2) USB (Type A) Interface (3) USB (mini-B) Interface (4) RTC Battery Set Cover (5) Serial Interface (6) DIP Switch mm [in.]

*4 Even if the installation wall thickness is within the recommended range for the "Panel Cut Dimensions", depending on wall's material, size, and installation location of this product and other devices, the installation wall could warp. To prevent warping, the installation surface may need to be strengthened.