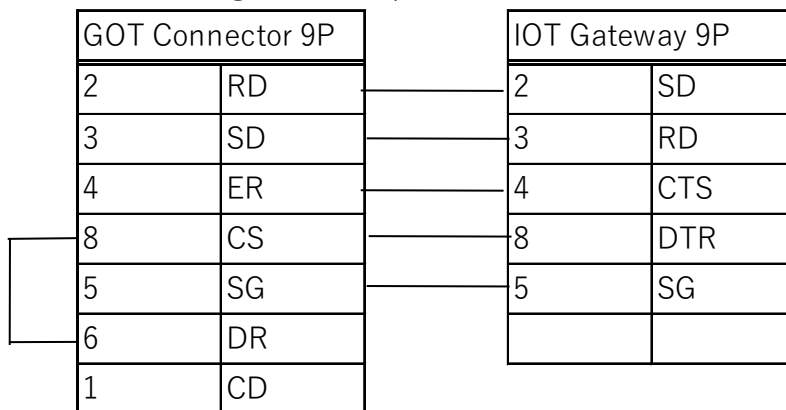


Operation-tested HMIs (Gateway Mode)

- HMI: Mitsubishi Electric Corporation GOT1000
- Driver: Mitsubishi Electric A Series CPU Direct

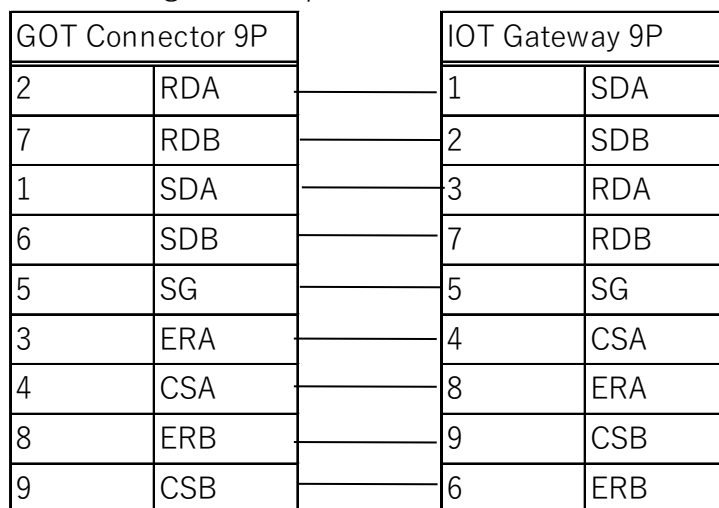
Cable Diagram : M-6

When using a RS232C port



Cable Diagram : M-2

When using a RS422 port

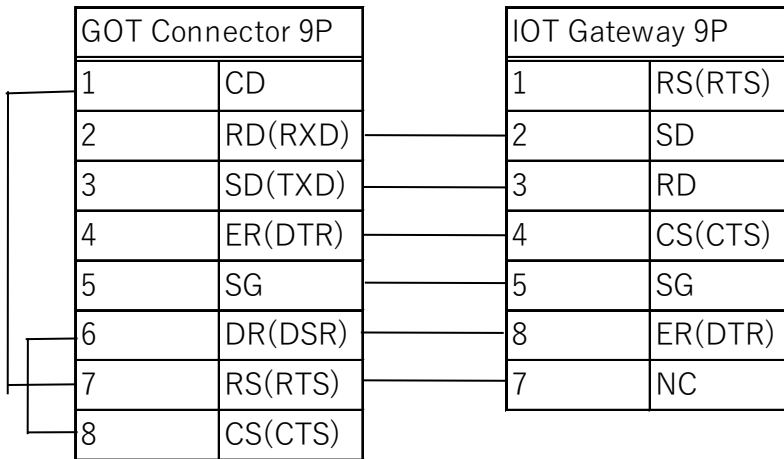


Operation-tested HMIs (Gateway Mode)

- HMI: Mitsubishi Electric Corporation GOT1000
- Driver: Mitsubishi A Series Computer Link

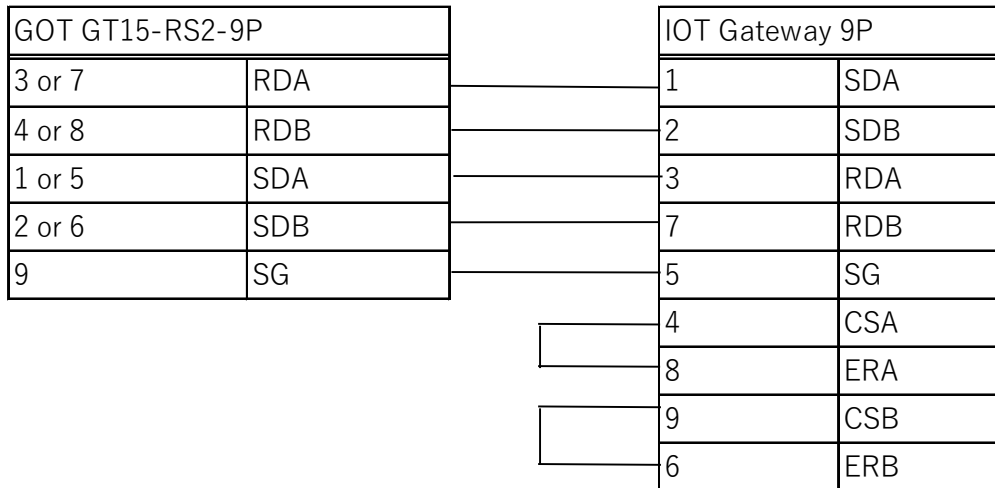
Cable Diagram : M-8

When using a RS232C port



Cable Diagram : M-7

When using Option, GT15-RS4-TE



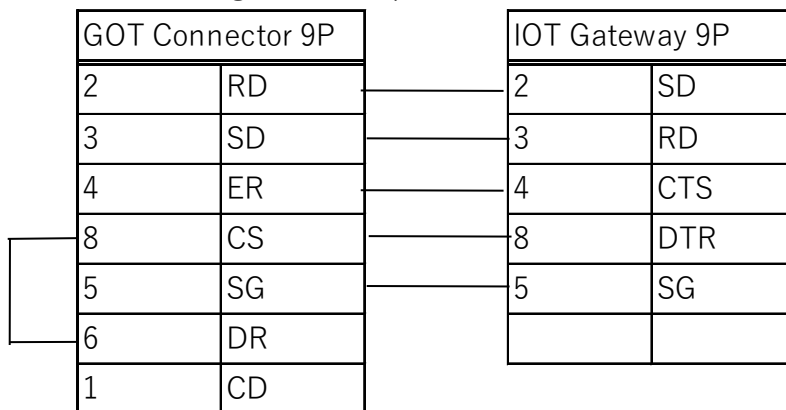
Able to connect by using the communication driver of GP-Pro EX Ver. 4.08.000. Unable to connect when GP-Pro EX with an earlier version than ver. 4.08.000 is used.

Operation-tested HMIs (Gateway Mode)

- HMI: Mitsubishi Electric Corporation GOT1000
- Driver: Mitsubishi Q Series CPU Direct

Cable Diagram : M-6

When using a RS232C port

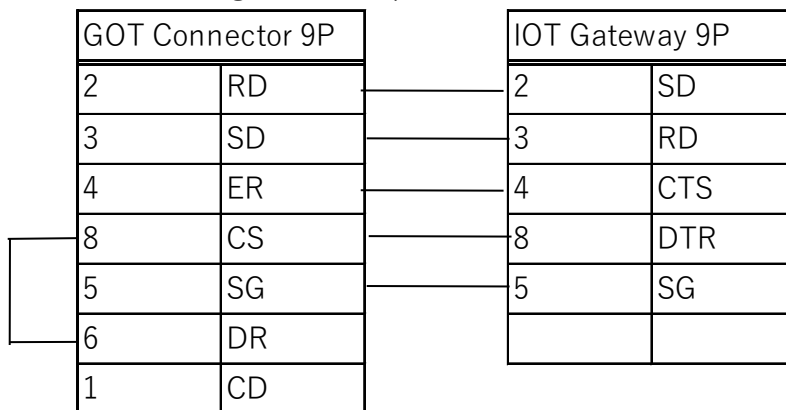


Operation-tested HMIs (Gateway Mode)

- HMI: Mitsubishi Electric Corporation GOT1000
- Driver: Mitsubishi Q/QnA Serial Communication

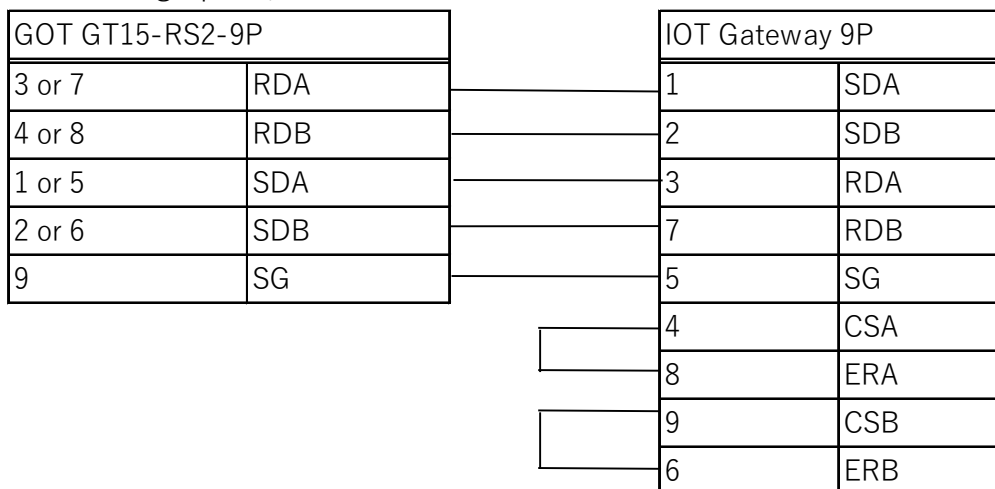
Cable Diagram : M-6

When using a RS232C port



Cable Diagram : M-7

When using Option, GT15-RS4-TE



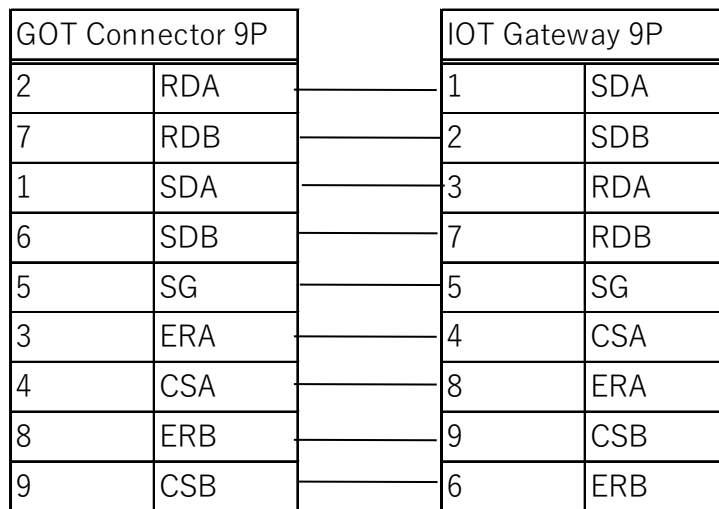
Able to connect by using the communication driver of GP-Pro EX Ver. 4.08.000. Unable to connect when GP-Pro EX with an earlier version than ver. 4.08.000 is used.

Operation-tested HMIs (Gateway Mode)

- HMI: Mitsubishi Electric Corporation GOT1000
- Driver: Mitsubishi QnA Series CPU Direct

Cable Diagram : M-2

When using a RS422 port



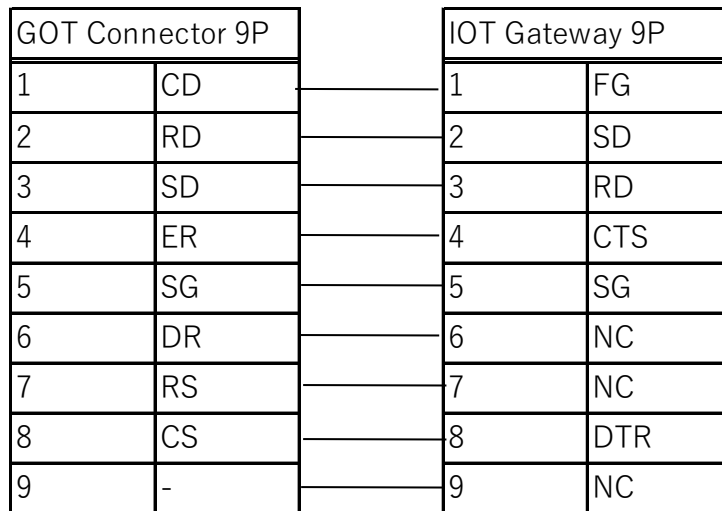
Able to connect by using the communication driver V1.14.08 or later. Please download the latest version of it from our Web site.

Operation-tested HMIs (Gateway Mode)

- HMI: Mitsubishi Electric Corporation GOT1000
- Driver: Mitsubishi FX Series CPU Direct

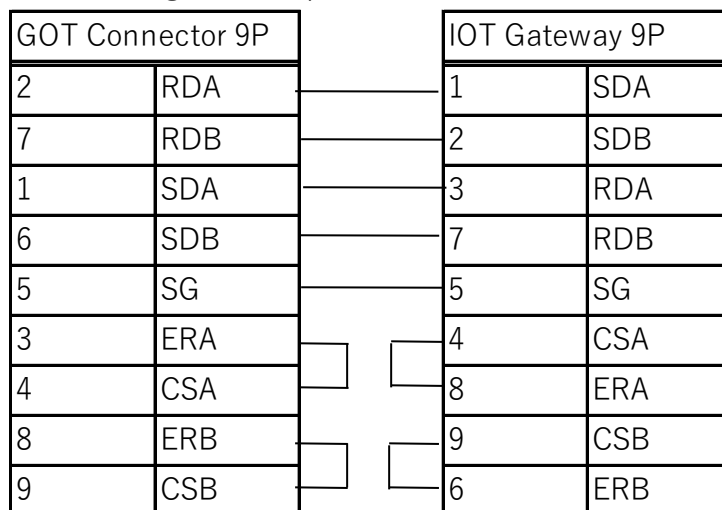
Cable Diagram : M-5

When using a RS232C port



Cable Diagram : M-4

When using a RS422 port

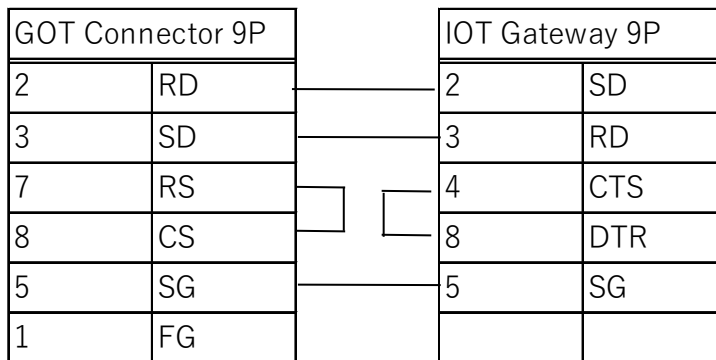


Operation-tested HMIs (Gateway Mode)

- HMI: Mitsubishi Electric Corporation GOT1000
- Driver: OMRON C/CV Series HOST Link

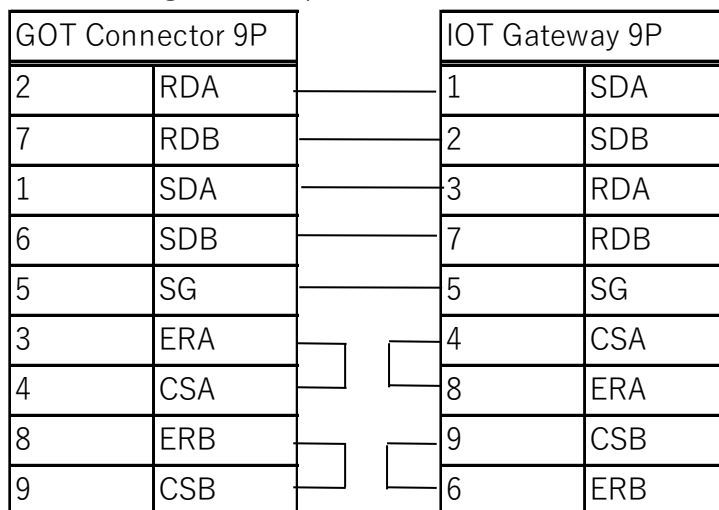
Cable Diagram : M-1

When using a RS232C port



Cable Diagram : M-4

When using a RS422 port

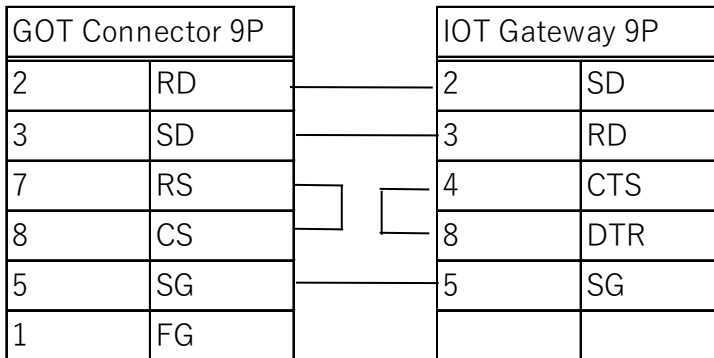


Operation-tested HMIs (Gateway Mode)

- HMI: Mitsubishi Electric Corporation GOT1000
- Driver: OMRON CS/CJ Series HOST Link

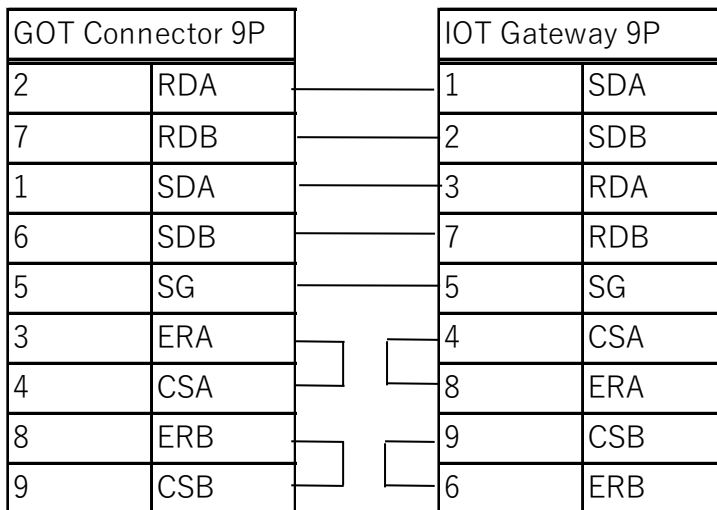
Cable Diagram : M-1

When using a RS232C port



Cable Diagram : M-4

When using a RS422 port



When the target PLC is CS/CJ series, you need to select [OMRON C/CV series HOST Link] for the communication protocol of GP-4G01.