

Product data sheet

Specifications



Modicon Extended Managed Switch - 8 ports for copper + 2 ports for fiber optic multimode

MCSESM103F2CU1

Main

Range of product	Modicon
Product or component type	Ethernet TCP/IP managed switch
Concept	Transparent Ready
Communication port protocol	Ethernet TCP/IP SSH HTTP HTTPS SNMP RS232 SFTP SCP LLDP Telnet SNTP MRP (Media Redundancy Protocol)
Port Ethernet	100BASE-FX - 2 port(s) fiber optic 10/100BASE-TX - 8 port(s) copper cable
Maximum number of switches in cascade	Unlimited
Cybersecurity	Port hardening IP-based port security MAC-based port security Port-based access control Role-based access control RADIUS assignment HTTPS DoS prevention VLAN-based ACL Audit trail SNMP logging Pre-login banner

Complementary

Integrated connection type	Duplex SC fiber optic Shielded RJ45 copper cable
Transmission support medium	Multimode optical fiber for fiber optic Twisted shielded pairs cable CAT 5E for copper cable
Maximum cable distance between devices	100 m copper cable
Optic fiber length	4 km 62.5/125 µm 5 km 50/125 µm
Attenuation	0...11 dB (62.2/125 µm) 0...8 dB (50/125 µm)
Ethernet service	Configuration via web server VLAN Multicast filtering Data stream control

Communication service	TFTP Quality of Service (QoS) Port monitoring Port mirroring Address conflict detection
Diagnostics run time	Signal contact Self test MAC notification
Maximum number of switches in a ring	50
Redundancy	HiPER ring RSTP Link aggregation Link backup Redundant network coupling Dual RSTP
[Us] rated supply voltage	12...24 V
Supply voltage limits	9.6...32 V DC SELV
Power consumption in W	8 W
Electrical connection	Removable connector 6 ways power supply
Mounting support	35 mm symmetrical DIN rail
Marking	CE CULus RCM
Function available	Security status Alarms (Traps) System information Report
Local signalling	1 dual colour LED (green/yellow) for P1 P2 power supplies 1 dual colour LED (green/red) for device status 1 dual colour LED (green/yellow) for memory key status 1 dual colour LED (green/yellow) for channel diagnostic
Alarm output	1 voltfree contact 1 A
Alarm function	Power supply fault Data link status Switch fault High temperature Redundancy ring fault Incorrect configuration External memory removed
Ethernet cabling system	TF switches
Width	73 mm
Height	138 mm
Depth	111 mm
Product weight	0.50 kg
Environment	
Ambient air temperature for operation	0...60 °C
Relative humidity	1...95 % non-condensing
IP degree of protection	IP30
Directives	2014/35/EU - low voltage directive 2014/30/EU - electromagnetic compatibility
Standards	UL 61010 EN/IEC 61131 EN/IEC 62368-1
Product certifications	CE UL RCM DNV Lloyd's

Packing Units

Unit Type of Package 1	PCE
Number of Units in Package 1	1
Package 1 Height	13.2 cm
Package 1 Width	16 cm
Package 1 Length	23.5 cm
Package 1 Weight	716 g
Unit Type of Package 2	S04
Number of Units in Package 2	8
Package 2 Height	30 cm
Package 2 Width	40 cm
Package 2 Length	60 cm
Package 2 Weight	6.416 kg

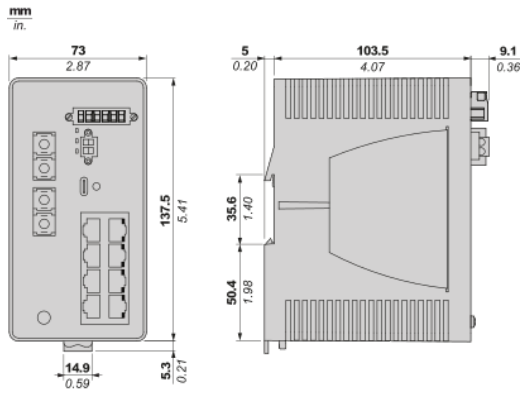
Offer Sustainability

Sustainable offer status	Green Premium product
REACH Regulation	REACH Declaration
REACH free of SVHC	Yes
EU RoHS Directive	Pro-active compliance (Product out of EU RoHS legal scope) EU RoHS Declaration
Mercury free	Yes
RoHS exemption information	Yes
China RoHS Regulation	China RoHS declaration
Environmental Disclosure	Product Environmental Profile
Circularity Profile	End of Life Information
WEEE	The product must be disposed on European Union markets following specific waste collection and never end up in rubbish bins
California proposition 65	WARNING: This product can expose you to chemicals including: Lead and lead compounds, which is known to the State of California to cause cancer and birth defects or other reproductive harm. For more information go to www.P65Warnings.ca.gov

Contractual warranty

Warranty	18 months
----------	-----------

Dimensions



Recommended replacement(s)