

# Product data sheet

Specifications



## Modicon Extended Managed Switch - 8 ports for copper + 2 ports for fiber optic single-mode

MCSESM103F2CS1

### Main

|                                              |                                                                                                                                                                                                                                                    |
|----------------------------------------------|----------------------------------------------------------------------------------------------------------------------------------------------------------------------------------------------------------------------------------------------------|
| <b>Range of product</b>                      | Modicon                                                                                                                                                                                                                                            |
| <b>Product or component type</b>             | Ethernet TCP/IP managed switch                                                                                                                                                                                                                     |
| <b>Concept</b>                               | Transparent Ready                                                                                                                                                                                                                                  |
| <b>Communication port protocol</b>           | Ethernet TCP/IP<br>SSH<br>HTTP<br>HTTPS<br>SNMP<br>RS232<br>SFTP<br>SCP<br>LLDP<br>Telnet<br>SNTP<br>MRP (Media Redundancy Protocol)                                                                                                               |
| <b>Port Ethernet</b>                         | 100BASE-FX - 2 port(s) fiber optic<br>10/100BASE-TX - 8 port(s) copper cable                                                                                                                                                                       |
| <b>Maximum number of switches in cascade</b> | Unlimited                                                                                                                                                                                                                                          |
| <b>Cybersecurity</b>                         | Port hardening<br>IP-based port security<br>MAC-based port security<br>Port-based access control<br>Role-based access control<br>RADIUS assignment<br>HTTPS<br>DoS prevention<br>VLAN-based ACL<br>Audit trail<br>SNMP logging<br>Pre-login banner |

### Complementary

|                                               |                                                                                                     |
|-----------------------------------------------|-----------------------------------------------------------------------------------------------------|
| <b>Integrated connection type</b>             | Duplex SC fiber optic<br>Shielded RJ45 copper cable                                                 |
| <b>Transmission support medium</b>            | Single mode optical fiber for fiber optic<br>Twisted shielded pairs cable CAT 5E for copper cable   |
| <b>Maximum cable distance between devices</b> | 100 m copper cable                                                                                  |
| <b>Optic fiber length</b>                     | 32.5 km 9/125 $\mu\text{m}$                                                                         |
| <b>Attenuation</b>                            | 0...16 dB (9/125 $\mu\text{m}$ )                                                                    |
| <b>Ethernet service</b>                       | Configuration via web server<br>VLAN<br>Multicast filtering<br>Data stream control<br>IGMP Snooping |

|                                              |                                                                                                                                                                                                                                   |
|----------------------------------------------|-----------------------------------------------------------------------------------------------------------------------------------------------------------------------------------------------------------------------------------|
| <b>Communication service</b>                 | TFTP<br>Quality of Service (QoS)<br>Port monitoring<br>Port mirroring<br>Address conflict detection                                                                                                                               |
| <b>Diagnostics run time</b>                  | Signal contact<br>Self test<br>MAC notification                                                                                                                                                                                   |
| <b>Maximum number of switches in a ring</b>  | 50                                                                                                                                                                                                                                |
| <b>Redundancy</b>                            | HiPER ring<br>RSTP<br>Link aggregation<br>Link backup<br>Redundant network coupling<br>Dual RSTP                                                                                                                                  |
| <b>[Us] rated supply voltage</b>             | 12...24 V                                                                                                                                                                                                                         |
| <b>Supply voltage limits</b>                 | 9.6...32 V DC SELV                                                                                                                                                                                                                |
| <b>Power consumption in W</b>                | 8 W                                                                                                                                                                                                                               |
| <b>Electrical connection</b>                 | Removable connector 6 ways power supply                                                                                                                                                                                           |
| <b>Mounting support</b>                      | 35 mm symmetrical DIN rail                                                                                                                                                                                                        |
| <b>Marking</b>                               | CE<br>CULus<br>RCM                                                                                                                                                                                                                |
| <b>Function available</b>                    | Security status<br>Alarms (Traps)<br>System information<br>Report                                                                                                                                                                 |
| <b>Local signalling</b>                      | 1 dual colour LED (green/yellow) for P1 P2 power supplies<br>1 dual colour LED (green/red) for device status<br>1 dual colour LED (green/yellow) for memory key status<br>1 dual colour LED (green/yellow) for channel diagnostic |
| <b>Alarm output</b>                          | 1 voltfree contact 1 A                                                                                                                                                                                                            |
| <b>Alarm function</b>                        | Power supply fault<br>Data link status<br>Switch fault<br>High temperature<br>Redundancy ring fault<br>Incorrect configuration<br>External memory removed                                                                         |
| <b>Ethernet cabling system</b>               | TF switches                                                                                                                                                                                                                       |
| <b>Width</b>                                 | 73 mm                                                                                                                                                                                                                             |
| <b>Height</b>                                | 138 mm                                                                                                                                                                                                                            |
| <b>Depth</b>                                 | 111 mm                                                                                                                                                                                                                            |
| <b>Product weight</b>                        | 0.50 kg                                                                                                                                                                                                                           |
| <b>Environment</b>                           |                                                                                                                                                                                                                                   |
| <b>Ambient air temperature for operation</b> | 0...60 °C                                                                                                                                                                                                                         |
| <b>Relative humidity</b>                     | 1...95 % non-condensing                                                                                                                                                                                                           |
| <b>IP degree of protection</b>               | IP30                                                                                                                                                                                                                              |
| <b>Directives</b>                            | 2014/35/EU - low voltage directive<br>2014/30/EU - electromagnetic compatibility                                                                                                                                                  |
| <b>Standards</b>                             | UL 61010<br>EN/IEC 61131<br>EN/IEC 62368-1                                                                                                                                                                                        |
| <b>Product certifications</b>                | CE<br>UL<br>RCM<br>DNV<br>Lloyd's<br>BV                                                                                                                                                                                           |

## Packing Units

|                              |          |
|------------------------------|----------|
| Unit Type of Package 1       | PCE      |
| Number of Units in Package 1 | 1        |
| Package 1 Height             | 13 cm    |
| Package 1 Width              | 16.5 cm  |
| Package 1 Length             | 24 cm    |
| Package 1 Weight             | 714 g    |
| Unit Type of Package 2       | S04      |
| Number of Units in Package 2 | 8        |
| Package 2 Height             | 30 cm    |
| Package 2 Width              | 40 cm    |
| Package 2 Length             | 60 cm    |
| Package 2 Weight             | 6.424 kg |

## Offer Sustainability

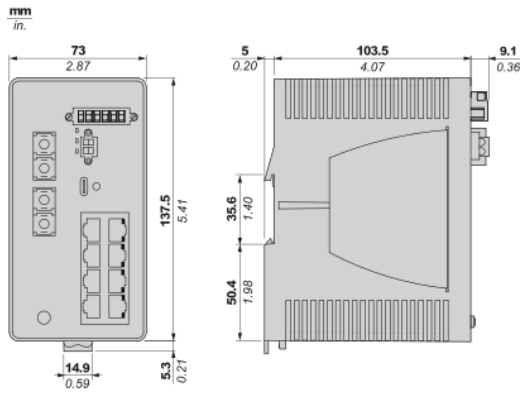
|                            |                                                                                                                                                                                                                                                                                             |
|----------------------------|---------------------------------------------------------------------------------------------------------------------------------------------------------------------------------------------------------------------------------------------------------------------------------------------|
| Sustainable offer status   | Green Premium product                                                                                                                                                                                                                                                                       |
| REACH Regulation           | <a href="#">REACH Declaration</a>                                                                                                                                                                                                                                                           |
| REACH free of SVHC         | Yes                                                                                                                                                                                                                                                                                         |
| EU RoHS Directive          | Pro-active compliance (Product out of EU RoHS legal scope)<br><a href="#">EU RoHS Declaration</a>                                                                                                                                                                                           |
| Mercury free               | Yes                                                                                                                                                                                                                                                                                         |
| RoHS exemption information | <a href="#">Yes</a>                                                                                                                                                                                                                                                                         |
| China RoHS Regulation      | <a href="#">China RoHS declaration</a>                                                                                                                                                                                                                                                      |
| Environmental Disclosure   | <a href="#">Product Environmental Profile</a>                                                                                                                                                                                                                                               |
| Circularity Profile        | <a href="#">End of Life Information</a>                                                                                                                                                                                                                                                     |
| WEEE                       | The product must be disposed on European Union markets following specific waste collection and never end up in rubbish bins                                                                                                                                                                 |
| California proposition 65  | WARNING: This product can expose you to chemicals including: Lead and lead compounds, which is known to the State of California to cause cancer and birth defects or other reproductive harm. For more information go to <a href="http://www.P65Warnings.ca.gov">www.P65Warnings.ca.gov</a> |

## Contractual warranty

|          |           |
|----------|-----------|
| Warranty | 18 months |
|----------|-----------|

**Dimensions**

---



**Recommended replacement(s)**