

# Product data sheet

Specifications



## Modicon Extended Managed Switch - 8 ports for copper + 2 ports for fiber optic single-mode - Harsh

MCSESM103F2CS1H

### Main

<b>Range of product</b>	Modicon
<b>Product or component type</b>	Ethernet TCP/IP managed switch
<b>Product specific application</b>	For severe environments
<b>Concept</b>	Transparent Ready
<b>Communication port protocol</b>	Ethernet TCP/IP SSH HTTP HTTPS SNMP RS232 SFTP SCP LLDP Telnet SNTP MRP (Media Redundancy Protocol)
<b>Port Ethernet</b>	100BASE-FX - 2 port(s) fiber optic 10/100BASE-TX - 8 port(s) copper cable
<b>Maximum number of switches in cascade</b>	Unlimited
<b>Cybersecurity</b>	Port hardening IP-based port security MAC-based port security Port-based access control Role-based access control RADIUS assignment HTTPS DoS prevention VLAN-based ACL Audit trail SNMP logging Pre-login banner

### Complementary

<b>Integrated connection type</b>	Duplex SC fiber optic Shielded RJ45 copper cable
<b>Transmission support medium</b>	Single mode optical fiber for fiber optic Twisted shielded pairs cable CAT 5E for copper cable
<b>Maximum cable distance between devices</b>	100 m copper cable
<b>Optic fiber length</b>	32.5 km 9/125 µm
<b>Attenuation</b>	0...16 dB (9/125 µm)
<b>Ethernet service</b>	Configuration via web server VLAN Multicast filtering Data stream control

<b>Communication service</b>	TFTP Quality of Service (QoS) Port monitoring Port mirroring Address conflict detection
<b>Diagnostics run time</b>	Signal contact Self test MAC notification
<b>Maximum number of switches in a ring</b>	50
<b>Redundancy</b>	HiPER ring RSTP Link aggregation Link backup Redundant network coupling Dual RSTP
<b>[Us] rated supply voltage</b>	12...24 V
<b>Supply voltage limits</b>	9.6...32 V DC SELV
<b>Power consumption in W</b>	8 W
<b>Electrical connection</b>	Removable connector 6 ways power supply
<b>Mounting support</b>	35 mm symmetrical DIN rail
<b>Marking</b>	CE CULus RCM
<b>Function available</b>	Security status Alarms (Traps) System information Report
<b>Local signalling</b>	1 dual colour LED (green/yellow) for P1 P2 power supplies 1 dual colour LED (green/red) for device status 1 dual colour LED (green/yellow) for memory key status 1 dual colour LED (green/yellow) for channel diagnostic
<b>Alarm output</b>	1 voltfree contact 1 A
<b>Alarm function</b>	Power supply fault Data link status Switch fault High temperature Redundancy ring fault Incorrect configuration External memory removed
<b>Ethernet cabling system</b>	TF switches
<b>Width</b>	73 mm
<b>Height</b>	138 mm
<b>Depth</b>	111 mm
<b>Product weight</b>	0.57 kg
<b>Environment</b>	
<b>Ambient air temperature for operation</b>	-40...70 °C
<b>Relative humidity</b>	1...95 % non-condensing
<b>IP degree of protection</b>	IP30
<b>Protective treatment</b>	Conformal coating
<b>Directives</b>	2014/35/EU - low voltage directive 2014/30/EU - electromagnetic compatibility
<b>Standards</b>	UL 61010 EN/IEC 61131 EN/IEC 62368-1
<b>Product certifications</b>	CE UL RCM

## Packing Units

Unit Type of Package 1	PCE
Number of Units in Package 1	1
Package 1 Height	13.8 cm
Package 1 Width	7.3 cm
Package 1 Length	11.1 cm
Package 1 Weight	570.0 g

## Offer Sustainability

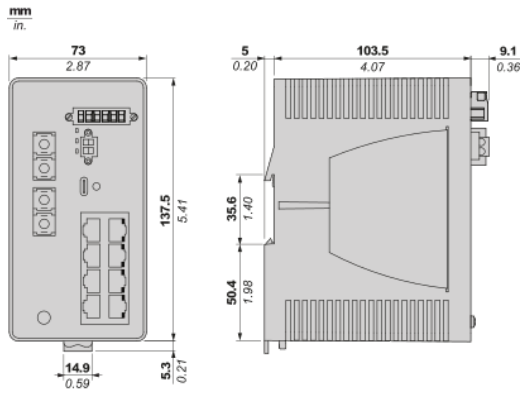
Sustainable offer status	Green Premium product
REACH Regulation	<a href="#">REACH Declaration</a>
REACH free of SVHC	Yes
EU RoHS Directive	Pro-active compliance (Product out of EU RoHS legal scope) <a href="#">EU RoHS Declaration</a>
Mercury free	Yes
RoHS exemption information	<a href="#">Yes</a>
China RoHS Regulation	<a href="#">China RoHS declaration</a>
Environmental Disclosure	<a href="#">Product Environmental Profile</a>
Circularity Profile	<a href="#">End of Life Information</a>
WEEE	The product must be disposed on European Union markets following specific waste collection and never end up in rubbish bins
California proposition 65	WARNING: This product can expose you to chemicals including: Lead and lead compounds, which is known to the State of California to cause cancer and birth defects or other reproductive harm. For more information go to <a href="http://www.P65Warnings.ca.gov">www.P65Warnings.ca.gov</a>

## Contractual warranty

Warranty	18 months
----------	-----------

**Dimensions**

---



**Recommended replacement(s)**