

PS5000 Series User Manual (Slim/Enclosed Panel Type Core i3 Model)

Corrections

Thank you for purchasing PS5000 Series.

PS5000 Series User Manual (Slim/Enclosed Panel Type Core i3 Model) contains the following errors.

Please refer to the correction information given here.

Page	Description																														
7	<p>(Incorrect)</p> <table border="1"> <tr> <td rowspan="7">Main storage device</td> <td>None</td> <td>N</td> </tr> <tr> <td>CFast 16 GB</td> <td>A</td> </tr> <tr> <td>CFast 32 GB</td> <td>X</td> </tr> <tr> <td>HDD 500 GB</td> <td>C</td> </tr> <tr> <td>HDD 1 TB</td> <td>E</td> </tr> <tr> <td>SSD 150 GB</td> <td>G</td> </tr> <tr> <td>SSD 240 GB</td> <td>H</td> </tr> </table> <p style="text-align: center;">↓</p> <p>(Correct)</p> <table border="1"> <tr> <td rowspan="7">Main storage device</td> <td>None</td> <td>N</td> </tr> <tr> <td>CFast 16 GB</td> <td>A</td> </tr> <tr> <td>CFast 32 GB</td> <td>X</td> </tr> <tr> <td>HDD 500 GB</td> <td>C</td> </tr> <tr> <td>HDD 1 TB</td> <td>E</td> </tr> <tr> <td>SSD 128 GB</td> <td>F</td> </tr> <tr> <td>SSD 256 GB</td> <td>H</td> </tr> </table>	Main storage device	None	N	CFast 16 GB	A	CFast 32 GB	X	HDD 500 GB	C	HDD 1 TB	E	SSD 150 GB	G	SSD 240 GB	H	Main storage device	None	N	CFast 16 GB	A	CFast 32 GB	X	HDD 500 GB	C	HDD 1 TB	E	SSD 128 GB	F	SSD 256 GB	H
	Main storage device		None	N																											
CFast 16 GB			A																												
CFast 32 GB			X																												
HDD 500 GB			C																												
HDD 1 TB			E																												
SSD 150 GB			G																												
SSD 240 GB		H																													
Main storage device	None	N																													
	CFast 16 GB	A																													
	CFast 32 GB	X																													
	HDD 500 GB	C																													
	HDD 1 TB	E																													
	SSD 128 GB	F																													
	SSD 256 GB	H																													
8	<p>(Incorrect)</p> <table border="1"> <tr> <td rowspan="7">Second storage</td> <td>None</td> <td>N</td> </tr> <tr> <td>CFast 16 GB</td> <td>A</td> </tr> <tr> <td>CFast 32 GB</td> <td>X</td> </tr> <tr> <td>HDD 500 GB</td> <td>C</td> </tr> <tr> <td>HDD 1 TB</td> <td>E</td> </tr> <tr> <td>SSD 150 GB</td> <td>G</td> </tr> <tr> <td>SSD 240 GB</td> <td>H</td> </tr> </table> <p style="text-align: center;">↓</p> <p>(Correct)</p> <table border="1"> <tr> <td rowspan="7">Second storage</td> <td>None</td> <td>N</td> </tr> <tr> <td>CFast 16 GB</td> <td>A</td> </tr> <tr> <td>CFast 32 GB</td> <td>X</td> </tr> <tr> <td>HDD 500 GB</td> <td>C</td> </tr> <tr> <td>HDD 1 TB</td> <td>E</td> </tr> <tr> <td>SSD 128 GB</td> <td>F</td> </tr> <tr> <td>SSD 256 GB</td> <td>H</td> </tr> </table>	Second storage	None	N	CFast 16 GB	A	CFast 32 GB	X	HDD 500 GB	C	HDD 1 TB	E	SSD 150 GB	G	SSD 240 GB	H	Second storage	None	N	CFast 16 GB	A	CFast 32 GB	X	HDD 500 GB	C	HDD 1 TB	E	SSD 128 GB	F	SSD 256 GB	H
	Second storage		None	N																											
CFast 16 GB			A																												
CFast 32 GB			X																												
HDD 500 GB			C																												
HDD 1 TB			E																												
SSD 150 GB			G																												
SSD 240 GB		H																													
Second storage	None	N																													
	CFast 16 GB	A																													
	CFast 32 GB	X																													
	HDD 500 GB	C																													
	HDD 1 TB	E																													
	SSD 128 GB	F																													
	SSD 256 GB	H																													

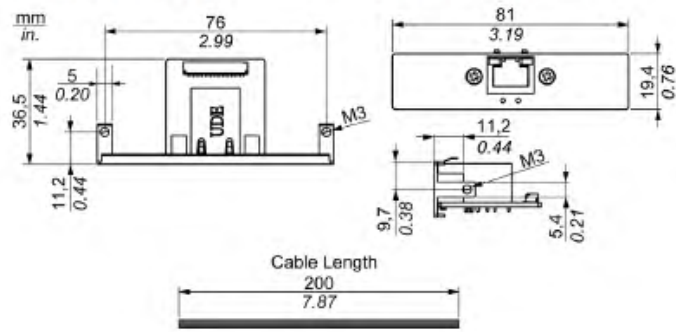
42	<p>(Incorrect) No description as below.</p> <p style="text-align: center;">↓</p> <p>(Correct) The UWF function on Windows 10 is not available.</p>										
42	<p>(Incorrect) No description as below.</p> <p style="text-align: center;">↓</p> <p>(Correct) HORM Win 10</p> <p>In HORM environment, a single hibernation file is used to restart the system repeatedly. To set a HORM environment, follow the steps below.</p> <p>Make sure that UWF is disabled (you can use ELM tool to disable UWF).</p> <p>Enable hibernation support: (you can use the Powercfg Command-Line options command-line tool to enable hibernation. The command is powercfg -h on (default is enable).</p> <p>Enable UWF by ELM tool. The system restarts.</p> <p>Open the software that customers want to use right after the system resumes from hibernation.</p> <p>Enable HORM by ELM tool. The system continues to use the HORM environment unless you disable HORM. You can use ELM tool to disable HORM.</p> <p>NOTE: Win 10 HORM function do not support UEFI BIOS, so PFXPL2B cannot use HORM function.</p>										
44	<p>(Incorrect)</p> <table border="1" data-bbox="229 1030 1350 1151"> <thead> <tr> <th>Wire cross-section</th> <th>Maximum line length</th> </tr> </thead> <tbody> <tr> <td rowspan="2">2.5 mm² (AWG 14)</td> <td>30 m (98 ft)</td> </tr> <tr> <td>60 m (196 ft) round trip</td> </tr> </tbody> </table> <p style="text-align: center;">↓</p> <p>(Correct)</p> <table border="1" data-bbox="229 1238 1350 1359"> <thead> <tr> <th>Wire cross-section</th> <th>Maximum line length</th> </tr> </thead> <tbody> <tr> <td rowspan="2">1.3 mm² (AWG 16)</td> <td>30 m (98 ft)</td> </tr> <tr> <td>60 m (196 ft) round trip</td> </tr> </tbody> </table>	Wire cross-section	Maximum line length	2.5 mm ² (AWG 14)	30 m (98 ft)	60 m (196 ft) round trip	Wire cross-section	Maximum line length	1.3 mm ² (AWG 16)	30 m (98 ft)	60 m (196 ft) round trip
Wire cross-section	Maximum line length										
2.5 mm ² (AWG 14)	30 m (98 ft)										
	60 m (196 ft) round trip										
Wire cross-section	Maximum line length										
1.3 mm ² (AWG 16)	30 m (98 ft)										
	60 m (196 ft) round trip										
46	<p>(Incorrect)</p> <table border="1" data-bbox="229 1467 1378 1547"> <tr> <td style="text-align: center;">4</td> <td>Use 2.5 mm² (AWG 14) wire to make the ground connection. Create the connection point as close to the Slim Panel as possible and make the wire as short as possible.</td> </tr> </table> <p style="text-align: center;">↓</p> <p>(Correct)</p> <table border="1" data-bbox="229 1630 1378 1711"> <tr> <td style="text-align: center;">4</td> <td>Use 1.3 mm² (AWG16) wire to make the ground connection. Create the connection point as close to the Slim Panel as possible and make the wire as short as possible.</td> </tr> </table>	4	Use 2.5 mm ² (AWG 14) wire to make the ground connection. Create the connection point as close to the Slim Panel as possible and make the wire as short as possible.	4	Use 1.3 mm ² (AWG16) wire to make the ground connection. Create the connection point as close to the Slim Panel as possible and make the wire as short as possible.						
4	Use 2.5 mm ² (AWG 14) wire to make the ground connection. Create the connection point as close to the Slim Panel as possible and make the wire as short as possible.										
4	Use 1.3 mm ² (AWG16) wire to make the ground connection. Create the connection point as close to the Slim Panel as possible and make the wire as short as possible.										

115

(Incorrect)



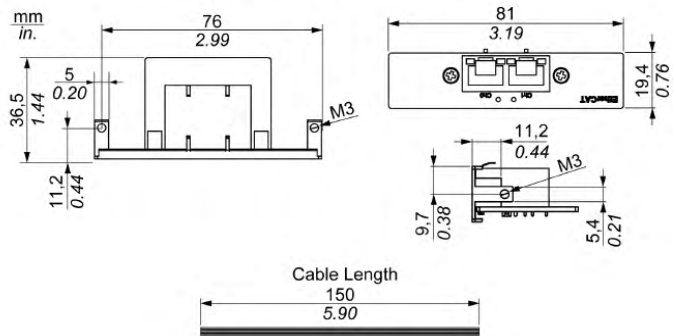
The figure shows the dimensions of the EtherCAT interface:



(Correct)



The figure shows the dimensions of the EtherCAT interface:



115

(Incorrect)

Features	Values
General	
Bus type	mini PCIe card revision 1.2
Connectors	1 x RJ45 GbE half-/full-duplex
Power consumption	Max. 9 W at 3.3 V
Communication	
Speed	10/100/1000 base-TX, auto-negotiation
Support	9 K jumbo frames, hardware-based support for precise time synchronization over EtherCAT, wake-on-LAN



(Correct)

Features	Values
General	
Bus type	mini PCIe card revision 1.2
Connectors	2 x RJ45 GbE half-/full-duplex
Power consumption	Max. 9 W at 3.3 V
Communication	
Speed	10/100/1000 base-TX, auto-negotiation
Support	9 K jumbo frames, hardware-based support for precise time synchronization over EtherCAT, wake-on-LAN

133

(Incorrect)

No description as below.



(Correct)

Graphic Setting

Check that the BIOS Graphic of the Box is set to {IGFX}, as follows:

1. BIOS → Chipset → System Agent (SA) Configuration
2. Graphics configuration
3. Primary Display → IGFX
4. Save and exit BIOS