

GP-2500S

Backlight Replacement Guide

Thank you for purchasing the PS500S-BU00 replacement backlight.

Be sure to read the following Backlight Replacement Warnings prior to replacing your GP unit's backlight.

This replacement backlight package contains the following:

GP Model Name	Backlight Model
GP-2500S	PS500S-BU00

This backlight's service life is 50,000 hours (approximately 5.7 years) under normal conditions (24-hour continuous operation and normal temperature). The service life will vary depending on your usage environment.

If this backlight is not appropriate for your GP or does not function correctly, please contact your local authorized GP representative.

WARNINGS

- Be sure the GP unit's power cord has been disconnected before changing the backlight. When the GP's power cord is connected and the power supply is ON, high voltage runs through the wires in the backlight area.
- After the GP unit's power cord is disconnected, the backlight area will remain hot for a short period. Be sure to wear gloves to prevent burns.
- Do not touch the backlight unit's glass tube directly or try to remove its power cord. If the glass tube breaks you may be injured.



- *Change the entire backlight unit, i.e. both the tube and holder.*
- *Do not allow water, oil or fingerprints to remain on the tube, since they can all reduce the backlight's life.*

◆ **Package Contents**

- Two (2) replacement backlights (Model:PS500S-BU00)
- Four (4) attachment screws (To be used if original screws are lost)

◆ **Items Required When Changing The GP's Backlight**

- Phillips screwdriver (no. 2) for GP's rear cover attachment screws.
- Phillips screwdriver (no. 0) for backlight unit's metal cover.
- One pair of clean (preferably new) cotton gloves.

Also, Pro-face recommends you prepare a small container for keeping all screws removed during the replacement process.

■ Backlight Replacement

Follow the procedures given below to replace the GP-2500S unit's backlights. Be sure to wear gloves during replacement.

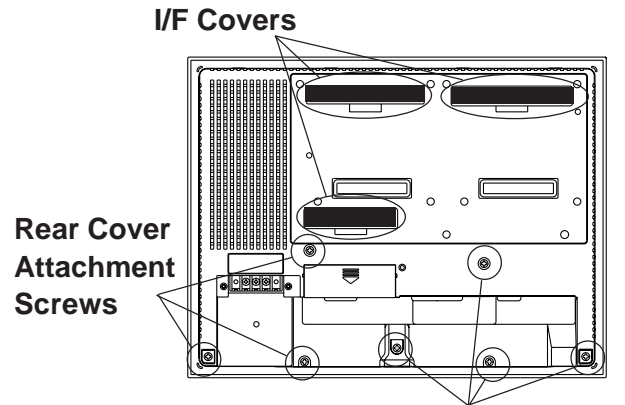


- Be sure to protect the GP front panel's surface to prevent damage.
- The GP-2500S has an upper and a lower backlight. Be sure to replace both.
- Dispose of the old CCLF backlights according to the applicable laws and regulations of your local government.

- 1) Turn off the GP-2500S unit's power supply. Remove the three (3) rear-face I/F covers and seven (7) cover attachment screws.



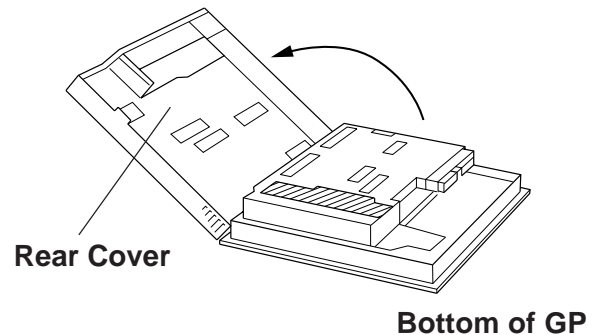
Do not let the attachment screws fall inside the GP-2500S.



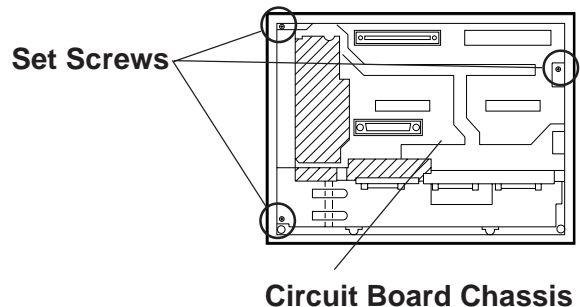
- 2) The top face of the rear cover uses four (4) alignment tabs. Open the rear cover from the bottom of the unit to free these tabs.



Be sure to open the cover from the bottom of the GP. Attempting to open the cover from the top of the GP could damage the alignment tabs.



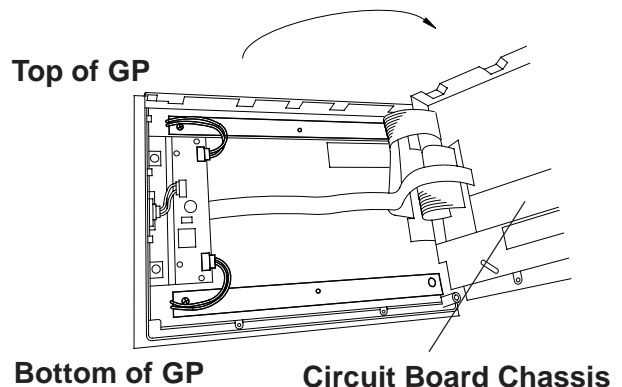
- 3) Remove the three (3) circuit board chassis set screws.



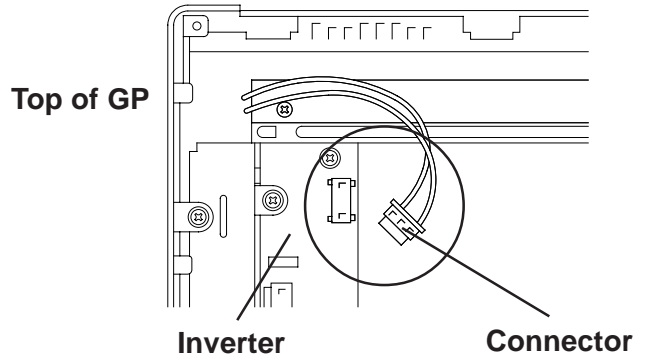
- 4) Pivot the circuit board chassis open from left to right, as shown here.



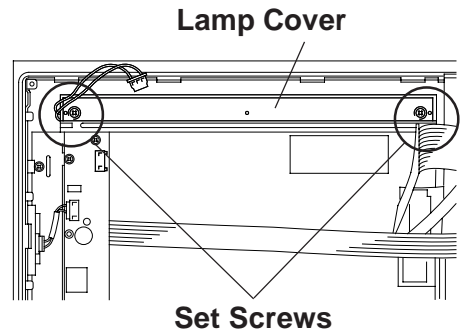
A hot circuit board chassis can burn you. Be sure the chassis has cooled completely prior to replacing the backlights.



- 5) Detach the upper backlight's power connector from the inverter board.



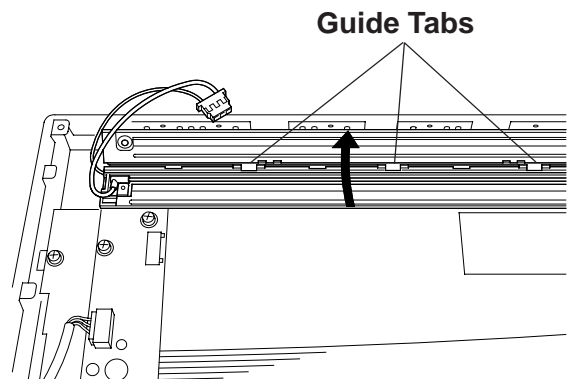
- 6) Remove the two (2) lamp cover set screws.



- 7) Lift the lower part of the lamp cover slowly upward, and remove it.



There are three (3) guide tabs on the upper edge of the lamp cover. Trying to open the cover by swinging it downwards can damage the cover.



- 8) Replace the upper backlight with a new one. Insert the new backlight slowly into its holder.



Be careful that no dust or dirt adheres to the backlight surface or to the backlight holder.

Be sure to handle the replacement backlight carefully, since it can be easily damaged or broken.

- 9) Align the lamp cover's three (3) guide tabs and replace the cover. Tighten the cover set screws and reattach the backlight power connector.



When replacing the backlight cover, be sure not to catch any wiring on the edge of the cover. If a wire is caught and becomes cut, it could cause a fire. The recommended fastening torque is 19.6N.

- 10) Replace the bottom backlight by repeating the procedures shown in steps (5) to (9).
- 11) Return the circuit board chassis to its original position and reattach the rear cover by reversing steps (1) to (4).



If any of the screws is missing, check if it fell inside the GP-2500S unit's chassis. If the power is turned ON while a screw is inside, it may cause an accident or fire.

After backlight replacement is completed, turn the GP-2500S unit's power ON and check if the screen's display is normal. If the display is not correct, please contact the Pro-face distributor from whom you purchased the backlight unit.

Note

Please be aware that Digital Electronics Corporation shall not be held liable by the user for any damages, losses, or third party claims arising from the uses of this product.

Digital Electronics Corporation

8-2-52 Nanko Higashi, Suminoe-ku, Osaka 559-0031, Japan

URL: <http://www.pro-face.com/>