

Backlight Replacement Guide

Be sure to read the following Backlight Replacement Warnings before attempting to change your PL backlight. This replacement backlight package contains the following:

PL	Backlight Model
PL-790*	PL7900T-BL00-MS
PL-792*	



WARNINGS

- Be sure the PL's power cord has been disconnected before changing the backlight. When the PL's power cord is connected and the PL is ON, high voltage runs through the wires in the backlight area-do not touch them!
- When the PL's power cord has just been disconnected, the backlight area is still very hot! Be sure to wear gloves to prevent being burned.
- The backlight is very fragile. Do not touch the glass tube directly or try to remove its power cord. If the glass tube breaks you may be injured.



• If the backlight or the display unit are damaged, the screen display will go out. Even if the screen goes out, however, there is a possibility that the touch panel is still operating correctly. Therefore, since any type of touch panel contact could have an unexpected or dangerous effect or result, be sure not to touch the screen when this condition occurs.

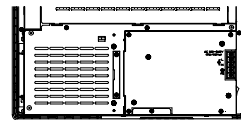
• Do NOT try to replace the PL's backlight while it is installed in its metal panel. Remove the PL from its metal panel, place it face down on a level surface.

• Be sure to change the backlight in a location that is free of dirt and dust.

Use the following procedures to replace the backlight. Be sure to wear gloves.

(The following drawings are for the PL-7900T series unit)

- 1) Turn the PL power OFF, disconnect the PL power cord terminals from the PL's power terminal block and remove the power cable.

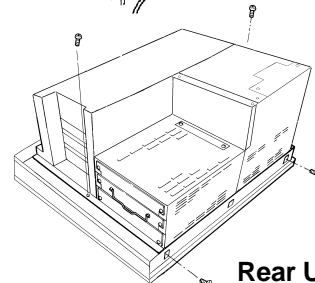


Remove Power Cord



When replacing the backlights, place the PL on a flat and stable surface. The PL or the PL's cable could break and cause an injury.

- 2) Use a screwdriver to remove the main unit's four (4) attachment screws.

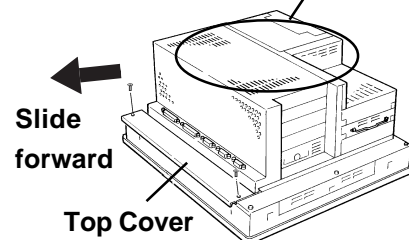


Rear Unit



If a pre-installed PL-FD210 is being used, remove the unit. For removal instructions, refer to the PL-FD210 unit's Installation Guide.

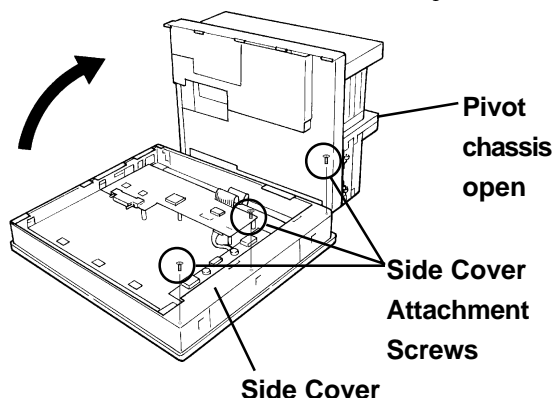
- 3) Remove the top cover's two (2) attachment screws and slide the rear unit forward to detach it from the front panel.



Slide forward

Top Cover

- 4) The chassis can then be pivoted back and open. Next, remove the PL's three side cover attachment screws, and remove the side cover.

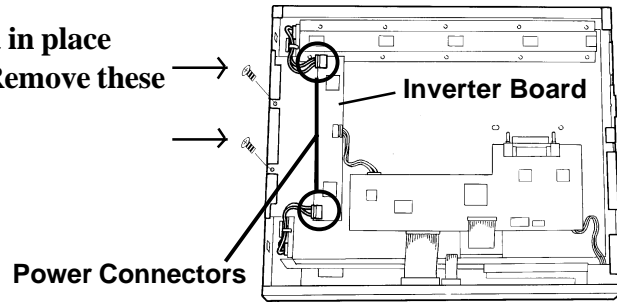


Pivot chassis open

Side Cover Attachment Screws

Side Cover

- 5) The PL's LCD display unit is fixed in place unit with two attachment screws. Remove these screws.



- 6) Disconnect the upper and lower backlight power connectors from the inverter board.
7) Each backlight unit (upper and lower) is fixed in place with a single attachment screw. Remove each of these screws.

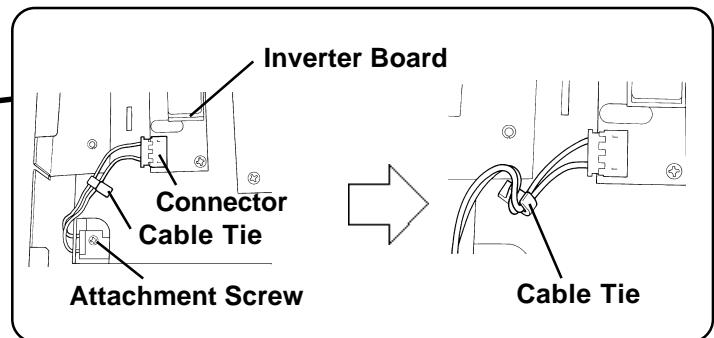
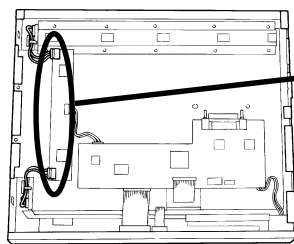


- Use an "1" sized Phillips screwdriver to remove the backlight attachment screws.
- Be careful not to lose any of the small attachment screws or let them fall inside the PL unit's chassis or front panel area, since it could cause an electrical short.

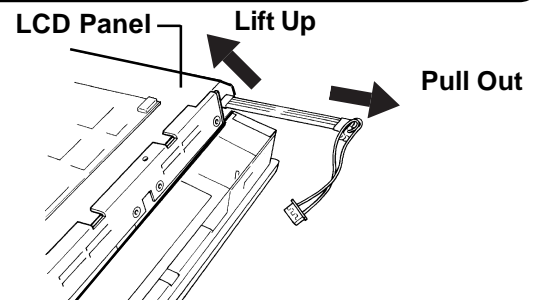
- 8) Open/release each plastic cable tie.



Each backlight uses a cable tie to prevent the cable from becoming caught or pinched when the PL's rear cover is opened or closed. Be sure both cables are secured by their tie before closing the rear cover.



- 9) Lift up the LCD panel and remove the top backlight unit.
10) Insert the new top backlight unit.
Repeat steps 9) and 10) to replace the bottom backlight unit.



- 11) Replace all backlight and LCD panel attachment screws (total of 4 screws).

Also, be sure to re-connect both inverter board connectors and secure the wires in place by closing their cable ties.



- Be sure to always change both of the PL backlight units at the same time.
- Be sure that the backlight's power cord connector is inserted completely into the Inverter Board's receptacle. If not, the PL may be damaged.

- 12) Replace the three (3) side cover attachment screws. Then, reattach the PL's front panel and chassis, being careful not to pinch any electrical wires between the chassis and front panel. (Reverse of Step 3, 4)



The backlight uses a cable tie to prevent the cable from becoming caught or pinched when the PL's rear cover is opened or closed. Be sure the cable is secured by its tie before closing the rear cover

- 13) Reattach the top cover. Then, replace the top cover's two (2) attachment screws. (Reverse of Step 3)

- 14) Replace the four (4) attachment screws of the PL's rear unit. (Reverse of Step 2)



If a pre-installed PL-FD210 is being used, replace the unit. For replacement instructions, refer to the PL-FD210 unit's Installation Guide.