

Pro-face

by Schneider Electric

EZ Illuminated Switch Installation Guide



 **WARNING****UNINTENDED EQUIPMENT OPERATION**

- Do not use the unit as the only means of control for critical system functions such as motor start/stop or power control.

Failure to follow these instructions can result in death, serious injury, or equipment damage.

 **WARNING****HAZARD OF ELECTRIC SHOCK OR EXPLOSION**

- Do not disassemble or remodel the EZ Illuminated Switch in any way.
- Do not use the EZ Illuminated Switch in areas where flammable gases are present.
- Do not allow water to enter the connector. Do not touch the connector with wet hands.

Failure to follow these instructions can result in death, serious injury, or equipment damage.

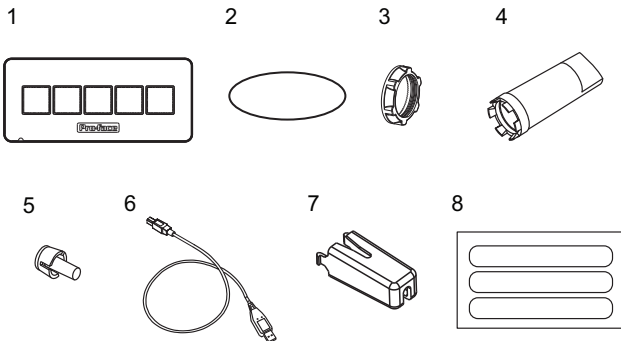
 **WARNING****UNINTENDED EQUIPMENT OPERATION OR LOSS OF CONTROL**

- Do not use the EZ Illuminated Switch at temperatures outside the range specified in this guide.
- Do not use or store the EZ Illuminated Switch at very high temperatures.
- Do not use or store the EZ Illuminated Switch in direct sunlight or excessively dusty or dirty environments.
- Do not use or store the EZ Illuminated Switch in an environment where it may be exposed to chemical vapors or fumes.

Failure to follow these instructions can result in death, serious injury, or equipment damage.

Package Contents

The following items are included in the EZ Illuminated Switch package (PFXZCCEUSG1). Before using the unit, please confirm that all items listed here are present.



- 1 EZ Illuminated Switch (1)
- 2 Installation Gasket for EZ Illuminated Switch (1) (attached to the unit)
- 3 Installation Nut (1)
- 4 Socket Wrench (1)
- 5 Anti-rotation Tee (1)
- 6 USB cable (Type A/B, 1 m [3.28 ft]) (1)
- 7 USB clamp (Type mini-B) (1)
- 8 Insert Label for EZ Illuminated Switch (1)
- 9 Installation Guide <this document>

About the Manual

This manual describes wiring and installation procedures. For more detailed information, refer to the manual below.

Manual	Contents
GP-Pro EX Reference Manual	Using the EZ Illuminated Switch.

You can download the manual from our website at <http://www.pro-face.com/trans/en/manual/1001.html>.

General Specifications

General Specifications

Connector Type	USB I/F	Type B (socket), USB 2.0 Full Speed
----------------	---------	-------------------------------------

Electrical Specifications

Power Supply	Rated Input Voltage	5 Vdc (Powered from USB bus)
	Input Voltage Limits	4.75...5.25 Vdc
	Power Consumption*1	2.0 W or less

*1. If connecting to a display unit that has a USB I/F with an output current of less than 500 mA, be sure to supply power from an external source (such as a self-powered hub) to the EZ Illuminated Switch because the display unit cannot supply enough power.

Environmental Specifications

Physical Environment	Surrounding Air Operating Temperature	0...55 °C (32...131 °F)
	Storage Temperature	-20...60 °C (-4...140 °F)
	Surrounding Air and Storage Humidity	10...90% RH (Non-condensing, wet bulb temperature 39 °C [102.2 °F] or less)
	Dust	0.1 mg/m ³ (10 ⁻⁷ oz/ft ³) or less (non-conductive levels)
	Pollution Degree	For use in Pollution Degree 2 environment
	Corrosive Gasses	Free of corrosive gas
	Operating Altitude	2000 m [6561 ft] or lower
Mechanical Environment	Vibration Resistance	IEC/EN 61131-2 compliant 5...9 Hz Single amplitude 3.5 mm (0.14 in) 9...150 Hz Fixed acceleration: 9.8 m/s ² X, Y, Z directions for 10 cycles (100 min.)
	Concussion Resistance	IEC/EN 61131-2 compliant (147 m/s ² , X, Y, Z directions for 3 times)
Electrical Environment	Electrical fast transient/burst	IEC61000-4-4 2 kV Power port (Display unit) 1 kV Signal ports
	Electrostatic Discharge Immunity	IEC61000-4-2 6 kV Contact discharge 8 kV Air discharge

External Specifications

External Dimensions	W122 x H54 x D28 mm (W4.80 x H2.13 x D1.10 in)
Structure *1	IP65 NEMA #250 TYPE 4X/13 (on the front panel when properly installed in an enclosure)
Weight	110 g (0.24 lb) or less

*1. The front face of the unit, installed in a solid panel, has been tested using conditions equivalent to the standards shown in the specification. Therefore, prior to installing the unit, be sure to confirm the type of conditions that will be present in the unit's operating environment.

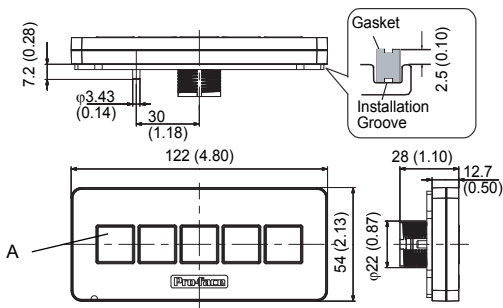
If the installation gasket is used for a long period of time, or if the unit and its gasket are removed from the panel, the original level of protection cannot be kept. To maintain the original protection level, be sure to replace the installation gasket regularly.

Note :

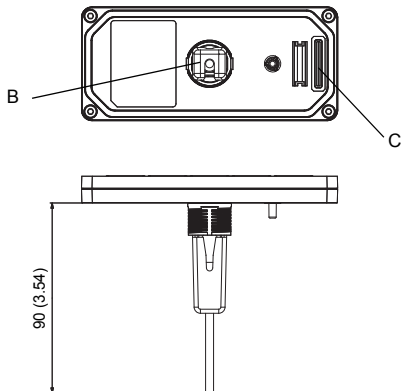
- The upper surface of the gasket should protrude approximately 2.5 mm (0.1 in) from the groove. Check the gasket is inserted correctly before installing this unit to a panel.
- A gasket with scratches or dirt could have lost much of its water resistance. It is recommended that the gasket should be changed periodically (e.g. once a year, or as soon as scratches or dirt become visible) for water resistance equivalent to IP65.

Dimensions

External Dimensions [mm (in)]

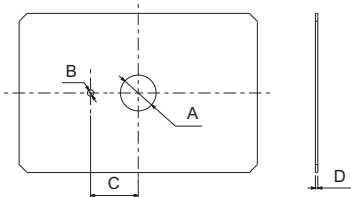
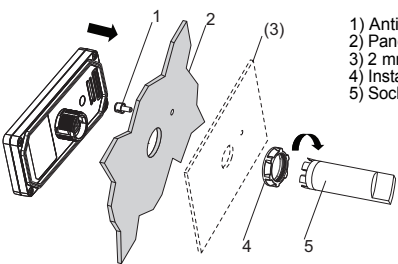


Dimensions with cable [mm (in)]



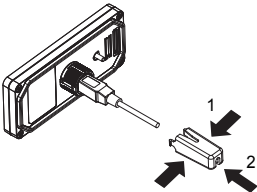
- A. LED lamp / Function Switch (5)
- B. USB (Type B) Interface
- C. Label slit

Installation

Step	Action								
1	<p>Create a panel cut-out and insert the unit into the panel from the front. The following illustration shows the panel cut-out for the unit:</p>  <table border="1" data-bbox="225 564 919 725"> <thead> <tr> <th>A</th> <th>B</th> <th>C</th> <th>D</th> </tr> </thead> <tbody> <tr> <td>22.50⁺⁰_{-0.30} mm (0.88⁺⁰_{-0.01} in)</td> <td>4⁺⁰_{-0.20} mm (0.15⁺⁰_{-0.007} in)</td> <td>30⁺⁰_{-0.20} mm (1.18⁺⁰_{-0.007} in)</td> <td>1.5...6 mm (0.06...0.23 in)</td> </tr> </tbody> </table>	A	B	C	D	22.50 ⁺⁰ _{-0.30} mm (0.88 ⁺⁰ _{-0.01} in)	4 ⁺⁰ _{-0.20} mm (0.15 ⁺⁰ _{-0.007} in)	30 ⁺⁰ _{-0.20} mm (1.18 ⁺⁰ _{-0.007} in)	1.5...6 mm (0.06...0.23 in)
A	B	C	D						
22.50 ⁺⁰ _{-0.30} mm (0.88 ⁺⁰ _{-0.01} in)	4 ⁺⁰ _{-0.20} mm (0.15 ⁺⁰ _{-0.007} in)	30 ⁺⁰ _{-0.20} mm (1.18 ⁺⁰ _{-0.007} in)	1.5...6 mm (0.06...0.23 in)						
2	<p>Insert the unit into the panel hole. Screw in the nut using torque of 1.2...2 N•m (10.62...17.70 lb-in)</p>  <ol style="list-style-type: none"> 1) Anti-rotation Tee 2) Panel 3) 2 mm spacer (Option) 4) Installation Nut 5) Socket Wrench <p>Note :</p> <ul style="list-style-type: none"> • Install the 2 mm spacer (Option) when the panel thickness is 1 mm (0.04 in) or more, and less than 1.5 mm (0.06 in). The spacer is unnecessary if the panel thickness is 1.5 mm (0.06 in) or more. • Remove the USB cable before removing the unit. • If using an anti-rotation tee, insert it into the unit securely. 								

USB Clamp

Attachment

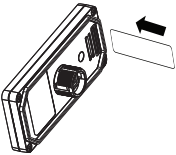
Step	Action
1	Insert the USB cable into the USB (Type B) interface on the unit.
2	Hold the clamp so that the USB cable goes through it. Squeeze the locking tabs on the clamp as you insert into the mounting hole. <div style="display: flex; align-items: center; justify-content: space-between; margin-top: 10px;"> <div style="text-align: center;">  </div> <div style="margin-left: 20px;"> <p>1) Squeeze the locking tabs on the USB clamp</p> <p>2) Insert into the mounting hole.</p> </div> </div>

Removal

Step	Action
1	Squeeze the sides of the clamp and pull to remove.

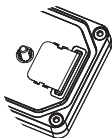
Insert Label

Use the Insert Label to change the labels on the switch.

Step	Action
1	Peel off the protective sticker attached to the label slit.
2	Print a new label onto the Insert Label. Maneuver into the label slit. <div style="display: flex; align-items: center; justify-content: center; margin-top: 10px;">  </div>

3

Push in the Insert Label completely before hooking the end as shown below.



Note :

- Use an inkjet printer to print the Insert Label.
- If you rub the Insert Label hard, the printing on the Insert Label may be removed.

Options

Options

Product Name	Model No.	Description
2mm Spacer for panel thickness adjustment	PFXZCCAT1	2 mm (0.08 in) spacer to adjust installation panel thickness.

Maintenance Options

Product Name	Model No.	Description
Installation Gasket for EZ Illuminated Switch	PFXZCDWGSG 1	Provides dust and moisture resistance when unit is installed into a solid panel (1 piece/set)
Installation Nut	PFXZGMNT1	Nut for installation to a solid panel (10 pcs/set)
Socket Wrench	PFXZGMSW1	Socket Wrench to tighten and loosen the installation nut. (1 piece/set)
Accessories Kit for EZ Illuminated Switch	PFXZCCA1	Anti-rotation Tee (5 pcs), USB cable clamp to prevent disconnection (USB/B, 1 port, 5 pcs), Insert Label for EZ Illuminated Switch (3 pcs/sheet)

Relevant Standards

For information on certifications and standards, such as certified models and certificates, see the product markings or the following URL:

<http://www.pro-face.com/trans/en/manual/1002.html>

The unit is manufactured in accordance with:

- Standard UL 508 and CSA C22.2 n°142 for Industrial Control Equipment
- Standard ANSI/ISA - 12.12.01 and CSA C22.2 n°213 for Electrical Equipment for Use in Class I, Division 2 Hazardous Locations

Note :

- For use in Pollution Degree 2 environments.
- For use on a flat surface of a Type 1, Type 4X (Indoor Use Only) or Type 13 Enclosure.
- Suitable for use in Class I, Division 2, Groups A, B, C and D Hazardous Locations, or Non-hazardous Locations only.

 WARNING
--

RISK OF EXPLOSION IN HAZARDOUS LOCATIONS

- | |
|--|
| <ul style="list-style-type: none">• Do not connect or disconnect USB cable while circuit is live.• Confirm that the USB cable has been attached with the USB clamp before using the USB interface.• Potential electrostatic charging hazard: wipe the front panel of the terminal with a damp cloth before turning ON. |
|--|

Failure to follow these instructions can result in death, serious injury, or equipment damage.

 **WARNING****RECOMMENDATION FOR RESTRICTED AREAS**

- Verify the power, input, and output (I/O) wiring are in accordance with Class I, Division 2 wiring methods.
- Substitution of any component may impair suitability for Class I, Division 2.
- Do not disconnect equipment while the circuit is live or unless the area is known to be free of Ignitable concentrations.
- Securely lock externally connected units and each interface before turning on the power supply.
- Potential electrostatic charging hazard: wipe the front panel of the terminal with a damp cloth before turning ON.

Failure to follow these instructions can result in death, serious injury, or equipment damage.

 **CAUTION****ENVIRONMENTAL HAZARDS TO THE EQUIPMENT**

- Allow the unit to reach the surrounding air temperature, not exceeding the 55 °C (131 °F), before turning the unit on.
- Do not turn on the unit if condensation has occurred inside the unit. After it is completely dry again, the unit may be turned on.
- Do not expose the unit to direct sunlight.
- Remove any dust from the unit before turning it on.
- Ensure that the USB clamp is not damaged. Replace them, if necessary.

Failure to follow these instructions can result in injury or equipment damage.

The unit is a device for use in factory systems.

When using the unit in a system, the system should comply with the following standards in regards to the installation environment and handling.

- Standard WEEE, Directive 2002/96/EC
- Standard RoHS, Directive 2002/95/EC
- Standard RoHS China, Standard SJ/T 11364

CE Markings

This product conforms to the necessary requirements of the following Directives for applying the CE label:

- 2004/108/EC EMC Directive

This conformity is based on compliance with EN61000-6-4, EN61000-6-2

KC Markings

사용자안내문

기종별	사용자안내문
A급 기기 (업무용 방송통신기자재)	이 기기는 업무용(A급) 전자파적합기기로서 판매자 또는 사용자는 이 점을 주의하시기 바라며, 가정외의 지역에서 사용하는 것을 목적으로 합니다.

NOTE

Please be aware that Digital Electronics Corporation shall not be held liable by the user for any damages, losses, or third party claims arising from the use of this product.

中国 RoHS 相关资料

(本资料是中国 RoHS 的必备资料。)(This information is essential for China RoHS.)

部件名称 Part Name	有害物质 Hazardous Substances					
	铅 (Pb)	汞 (Hg)	镉 (Cd)	六价铬 (Cr (VI))	多溴联苯 (PBB)	多溴二苯醚 (PBDE)
金属部件 Metal parts	○	○	○	○	○	○
塑料部件 Plastic parts	○	○	○	○	○	○
电子件 Electronic	×	○	○	○	○	○
触点 Contacts	○	○	○	○	○	○
线缆和线缆附件 Cables & cabling accessories	○	○	○	○	○	○

本表格依据 SJ/T 11364 的规定编制。

○：表示该有害物质在该部件所有均质材料中的含量均在 GB/T 26572 规定的限量要求以下。

×：表示该有害物质至少在该部件的某一均质材料中的含量超出 GB/T 26572 规定的限量要求。

This table is made according to SJ/T 11364.

○：Indicates that the concentration of hazardous substance in all of the homogeneous materials for this part is below the limit as stipulated in GB/T 26572.

×：Indicates that concentration of hazardous substance in at least one of the homogeneous materials used for this part is above the limit as stipulated in GB/T 26572.