

GP4000M Series Panel Cutout Adapter

GP270-GP4000M-AT00, GP377-GP4000M-AT00

GP37W2-GP4000M-AT00

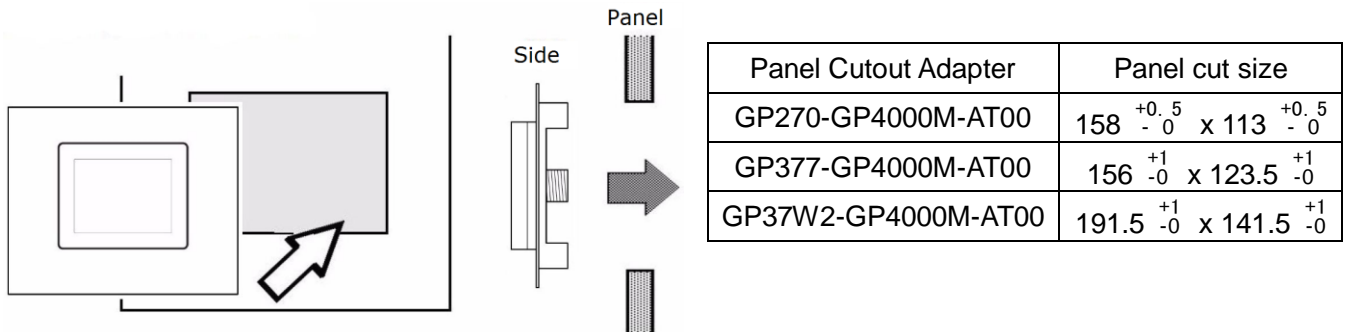
■NOTE:

Fasteners are not included in the Panel Cutout Adapter.

Use the fasteners with which the GP unit was mounted.

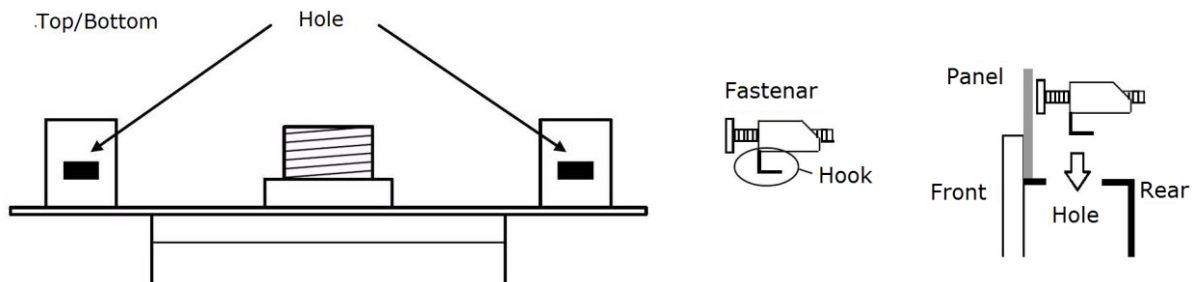
■Installation Requirements

Mount the Panel Cutout Adapter in the installation hole from the front side of the panel.

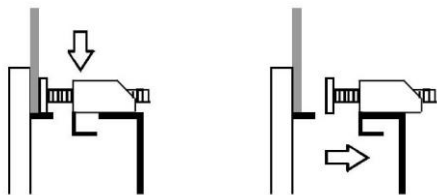


Fix the back side of the panel with the fasteners.

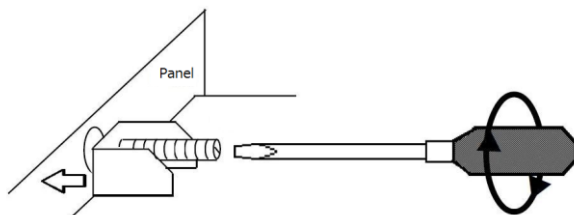
- (1) Put the fasteners in the holes at four places on the top and bottom sides of the Panel Cutout Adapter.



- (2) Slide the fastener backward.

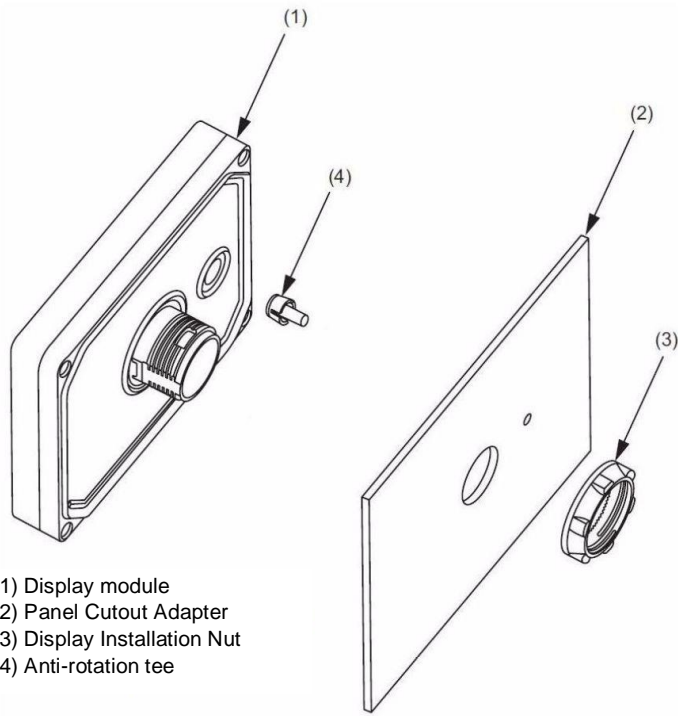


- (3) Tighten the screw of the fastener with a driver. The torque for drip-proof effect is 0.5 to 0.6N·m.



*Tightening the screw too much may cause damage to the product.

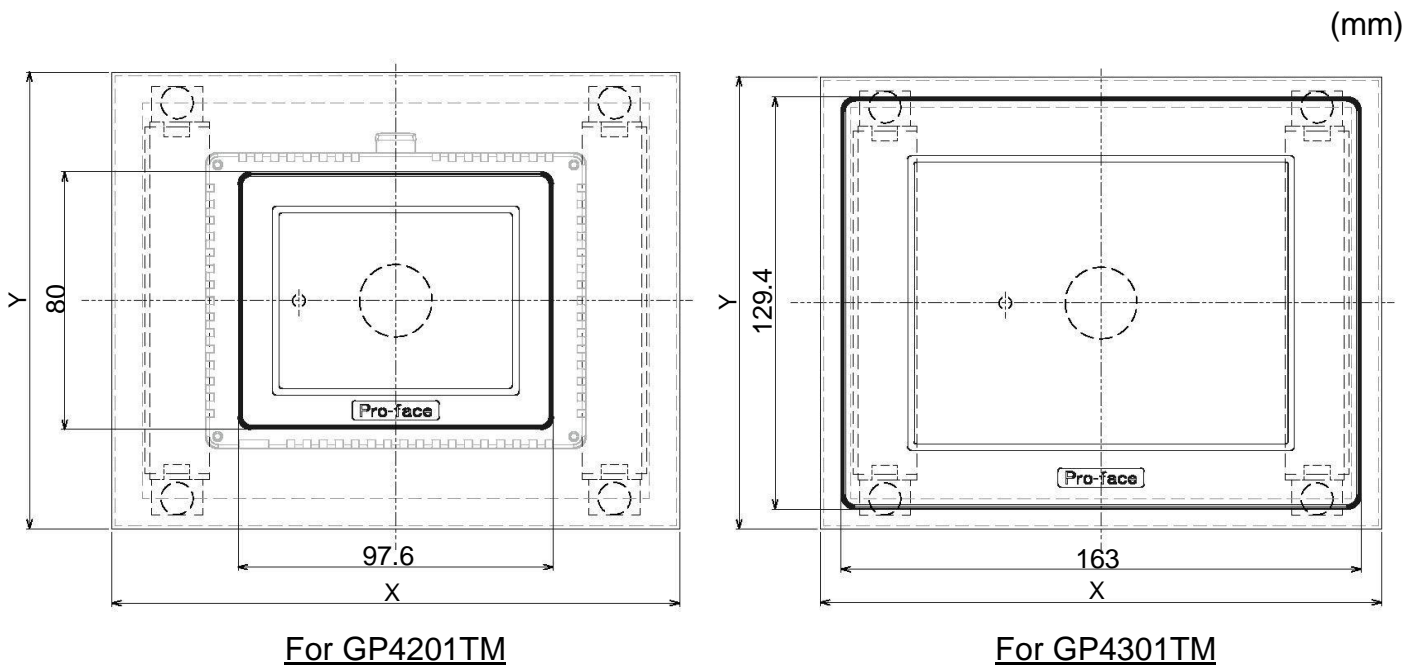
■ Attach the display module.



- (1) Display module
- (2) Panel Cutout Adapter
- (3) Display Installation Nut
- (4) Anti-rotation tee

*For details of the installation procedures, the dimensions and the installation requirements of GP4000M Series, refer to the GP4000M Series installation guide or hardware manual.

■ External Form for reference



| Panel Cutout Adapter | X | Y |
|----------------------|-----|-----|
| GP270-GP4000M-AT00 | 176 | 142 |
| GP377-GP4000M-AT00 | | |
| GP37W2-GP4000M-AT00 | 213 | 163 |

Material: steel plate
Thickness: 1.6 mm

*The contents of this manual are subject to change without notice.