

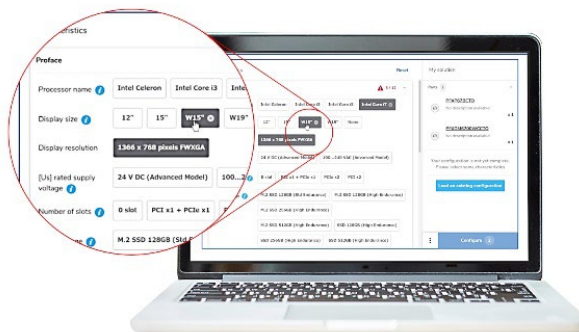


**Lineup**

Model	CPU	Core	DIM	Supported OS	Storage	Slot-in Option I/F	Expansion slots	Projected Capacitive					Resistive Film		Box only
								22" Wide	19" Wide	15" Wide	12" Wide	10" Wide	15"	12"	
Advanced	Core i7	4	8 - 32GB	Windows10 IoT Enterprise 2019 LTSC (64bit)	M.2 SSD x1 2.5" HDD/SSD x 2	2 slots	PCI x1 + PCIe x 1	✓	✓	✓	✓	-	✓	✓	✓
	----- or -----						✓	✓	✓	✓	-	✓	✓	✓	
	----- or -----	✓	✓	✓	✓	-	✓	✓	✓	✓					
Standard	Core i3	2	8 - 32GB	Windows10 IoT Enterprise 2021 LTSC (64bit)	M.2 SSD x 1 2.5" HDD/SSD x 1	1 slots	-	✓	✓	✓	✓	✓	✓	✓	✓
Basic	Atom	4	8 GB	Windows10 IoT Enterprise 2021 LTSC (64bit)	M.2 SSD x 2 * SD card x 1	1 slots	-	✓	✓	✓	✓	✓	✓	✓	✓
		2	4 GB --- or --- 8 GB					✓	✓	✓	✓	✓	✓	✓	✓

\* When installing the second M.2 SSD, the interface option cannot be installed except for the M.2 WiFi/Bluetooth module.

**Easily selected with Product Configurator**



Rich options, easily selected with new on-line configurator with quick delivery.  
Easy to find your favorite configuration,  
[PS6000 Product Configurator](#)



#### Functional Specification

	22" Wide	19" Wide	15" Wide	12" Wide	15"	12"	Box Only
Model No.	PFXP6*A*****	PFXP6*G*****	PFXP6*F*****	PFXP6*E*****	PFXP6*7*****	PFXP6*6*****	PFXP6*B*****
	Core i7		Core i5		Celeron		
	Core™ i7-8665UE		Core™ i5-8365UE		Celeron® 4305UE		
CPU	Base frequency	1.70 GHz	1.60 GHz		2.00 GHz		
	Max turbo boost frequency	4.40 GHz	4.10 GHz		2.00 GHz		
	L2 cache	8 MB	6 MB		2 MB		
	Core number	4	4		2		
	Thread number	8	8		2		
Main memory	260-pin SO-DIMM socket x 2, DDR4-2400 (Up to 16 GB/socket, up to 32 GB for 2 sockets)				260-pin SO-DIMM socket x 2, DDR4-2133 (Up to 16 GB/socket, up to 32 GB for 2 sockets)		
Video memory	Shared memory (UMA) Maximum allocation size: Automatic allocation of up to half the installed main memory						
Storage slot	M.2 SSD SATA x 1 (Disk 0) 2.5-inch SATA (HDD/SSD) x 2 (top: Disk 2, bottom: Disk 1) SATA speed: 6 Gb/s, 3 Gb/s, 1.5 Gb/s						
Expansion slot *1*2	PCI x 1 + PCIe x 1, PCIe x 2 or PCI x 2 PCI card size: Short length PCIe card size: Half length PCI slot: Revision 3.0, 32 bit bus, 3.3 Vdc PCIe slot: Revision 3.0, 1 Link (x1) *3						
Graphics accelerator	Intel UHD Graphics 620 (built in CPU)				Intel UHD Graphics 610 (built in CPU)		
Security chip	TPM 2.0						
BIOS	UEFI BIOS						
Operating system	Windows® 10 IoT Enterprise 2019 LTSC (64bit)						
Watchdog timer *4	Timeout setting from either 1 to 255 seconds, or 1 to 255 minutes, is possible (set up using API)						
Buzzer	Yes						

\*1 The total power consumption of PCI/PCIe cards can be up to 12 W, regardless of whether one or two cards are installed.

\*2 For dimensions of PCI/PCIe cards that can be installed, refer to PCI/PCIe Card Installation.

\*3 The PCIe connector is a x4 Link, edgeless type. However, only 1 Lane is connected for signals.

\*4 The watchdog timer is supported by products with the following system version.

BIOS: WAR02 or later

OS Base: 2.0 or later

You can check the system version from the Launcher. Refer to System . To use the watchdog timer on a product with a WAR01 BIOS, and OS Base 1.0, the BIOS and System Monitor must be updated. Follow the steps below to update.

BIOS: Contact customer support for instructions on how to update.

System Monitor: Download and install the driver(PFXPHMIP6\_Driver\_Installer\_Ver.x.x.zip) and the utility (PFXPHMIP6\_Utility\_Installer\_Ver.x.x.zip) from the PS6000 and FP6000 Series Utility download page in the following URL.

<https://www.pro-face.com/trans/en/manual/1085.html>

#### Display Specifications

	22" Wide	19" Wide	15" Wide	12" Wide	15"	12"
Model No.	PFXP6*A*****	PFXP6*A*****	PFXP6*A*****	PFXP6*A*****	PFXP6*A*****	PFXP6*A*****
Display Size	21.5"	18.5"	15.6"	12.1"	15"	12.1"
Display type	TFT Color LCD					
Resolution	1,920 x 1,080 pixels (FHD)		1,366 x 768 pixels (FWXGA)	1,280 x 800 pixels (WXGA)	1,024 x 768 pixels (XGA)	
Effective display area (W x H)	408.96 x 230.04 mm (16.1 x 9.06 in)	476.64 x 268.11 mm (18.77 x 10.56 in)	344.23 x 193.54 mm (13.55 x 7.62 in)	261.12 x 163.2 mm (10.28 x 6.43 in)	304.13 x 228.1 mm (11.97 x 8.98 in)	245.76 x 184.32 mm (9.68 x 7.26 in)
Display colors	16 million colors					
Backlight	White LED (not user replaceable. Please contact customer support. )					
Backlight service life	50,000 hours or more (continuous operation at 25 °C [77 °F] before backlight brightness decreases to 50%)					
Brightness control	0..100 (adjusted with touch panel or software)					

#### Touch Panel

	22" Wide	19" Wide	15" Wide	12" Wide	15"	12"
Model No.	PFXP67A*****	PFXP67G*****	PFXP67F*****	PFXP67E*****	PFXP677*****	PFXP676*****
Touch panel type	Projected capacitive with optimized noise filter				Resistive film (analog)	
Touch points	Multi-touch (two-point touch)					
Touch panel service life	10 million times or more					
Touch mode	Standard mode , water detection mode , glove mode NOTE: For details, refer to <a href="#">Manual</a> .				Not applicable	

#### Electrical Specifications

##### AC

Model No.		22" Wide	19" Wide	15" Wide	12" Wide	15"	12"	Box Only
Rated input voltage		100...240 Vac						
Input voltage limits		85...264 Vac						
Voltage drop (at rated input voltage)		20 ms or less						
Power consumption	Max	313 VA	310 VA	299 VA	298 VA	301 VA	296 VA	140 VA
	When power is not supplied to external devices	167 VA	164 VA	153 VA	152 VA	155 VA	150 VA	67 VA
	When screen turns off (power is not supplied to external devices)	69 VA						
In-rush current		30 A or less						
Noise immunity		Noise voltage: 1,500 Vp-p Pulse duration: 1 µs Rise time: 1 ns (via noise simulator)						
Dielectric strength		1,500 Vac for 1 minute (between power terminal and PE terminal)						
Insulation resistance		500 Vdc, 10 MΩ or more (between power terminal and PE terminal)						

##### DC

Model No.		22" Wide	19" Wide	15" Wide	12" Wide	15"	12"	Box Only
Rated input voltage		24 Vdc						
Input voltage limits		18...31.2 Vdc						
Voltage drop (at rated input voltage)		5 ms or less						
Power consumption	Max	274 W	271 W	260 W	259 W	262 W	257 W	121 W
	When power is not supplied to external devices	144 W	141 W	130 W	129 W	132 W	127 W	56 W
	When screen turns off (power is not supplied to external devices)	58 W						
In-rush current		30 A or less						
Noise immunity		Noise voltage: 1,000 Vp-p Pulse duration: 1 µs Rise time: 1 ns (via noise simulator)						
Dielectric strength		1,000 Vac for 1 minute (between power terminal and FG terminal)						
Insulation resistance		500 Vdc, 10 MΩ or more (between power terminal and FG terminal)						

#### Environmental Specifications

##### With HDD

Model No.		22" Wide	19" Wide	15" Wide	12" Wide	15"	12"	Box Only	
<b>Physical environment</b>									
Ambient air temperature (T-Code: T4)	Wall/Book (Side) mounting: 0...45 °C (32...113 °F) with FAN kit *1							Wall/Book (Side) mounting: 0...45 °C (32...113 °F) with FAN kit *1	
	Flat/Book (Top) mounting: 0...45 °C (32...113 °F) with FAN kit *1							Flat/Book (Top) mounting: 0...45 °C (32...113 °F) with FAN kit *1	
Storage temperature		-20...60 °C (-4...140 °F)							-30...70 °C (-22...158 °F)
Ambient air and storage humidity		10...90% RH (non-condensing, wet bulb temperature 39 °C [102.2 °F] or less)							
Dust		0.1 mg/m <sup>3</sup> (10-7 oz/ft <sup>3</sup> ) or less (non-conductive levels)							
Pollution degree		For use in Pollution Degree 2 environment							
Corrosive gases		Free of corrosive gases							
Atmospheric pressure (operating altitude)		800...1,114 hPa (2,000 m [6,561 ft] or lower)							
<b>Mechanical environment</b>									
Vibration resistance		IEC 60068-2-6 compliant 5...9 Hz Single amplitude 1.75 mm (0.07 in) 9...150 Hz Fixed acceleration: 4.9 m/s <sup>2</sup> X, Y, Z directions for 10 cycles (approximately 100 minutes) <b>NOTE:</b> In an environment with vibrations, the read/write speed on the HDD may decrease.							
Shock resistance		IEC/EN 61131-2 compliant 147 m/s <sup>2</sup> , X, Y, Z directions for 3 times							
<b>Electrical environment</b>									
Electrical fast transient/burst immunity		IEC 61000-4-4 2 kV: Power port 1 kV: Signal ports							
Electrostatic discharge immunity		Contact discharge method: 6 kV Air discharge method: 8 kV (IEC/EN 61000-4-2 Level 3)							

\*1 The FAN kit is required when using this product with HDD installed.

#### Environmental Specifications

##### Without HDD

Model No.	22" Wide PFXP6*A*****	19" Wide PFXP6*G*****	15" Wide PFXP6*F*****	12" Wide PFXP6*E*****	15" PFXP6*7*****	12" PFXP6*6*****	Box Only PFXP6*B*****
<b>Physical environment</b>							
Ambient air temperature (T-Code: T4)	Panel (Landscape) mounting: 0...55 °C (32...131 °F) with/without FAN kit (for 19-inch Wide and 22-inch Wide: 0...50 °C (32...122 °F) with/without FAN kit)						Wall/Book (Side) mounting: 0...55 °C (32...131 °F) with/without FAN kit
	Panel (Portrait) mounting: 0...50 °C (32...122 °F) with/without FAN kit						Flat/Book (Top) mounting: 0...50 °C (32...122 °F) with/without FAN kit
Storage temperature	-20...60 °C (-4...140 °F)						-30...70 °C (-22...158 °F)
Ambient air and storage humidity	10...90% RH (non-condensing, wet bulb temperature 39 °C [102.2 °F] or less)						
Dust	0.1 mg/m <sup>3</sup> (10-7 oz/ft <sup>3</sup> ) or less (non-conductive levels)						
Pollution degree	For use in Pollution Degree 2 environment						
Corrosive gases	Free of corrosive gases						
Atmospheric pressure (operating altitude)	800...1,114 hPa (2,000 m [6,561 ft] or lower)						
<b>Mechanical environment</b>							
Vibration resistance	IEC/EN 61131-2 compliant 5...9 Hz Single amplitude 3.5 mm (0.14 in) 9...150 Hz Fixed acceleration: 9.8 m/s <sup>2</sup> X, Y, Z directions for 10 cycles (approximately 100 minutes)  <b>NOTE:</b> The vibration resistance when using the 22-inch Wide model with PCI/PCle slots attached is as follows. IEC 60068-2-6 compliant 5...9 Hz Single amplitude 1.75 mm (0.07 in) 9...150 Hz Fixed acceleration: 4.9 m/s <sup>2</sup> X, Y, Z directions for 10 cycles (approximately 100 minutes)						
Shock resistance	IEC/EN 61131-2 compliant 147 m/s <sup>2</sup> , X, Y, Z directions for 3 times						
<b>Electrical environment</b>							
Electrical fast transient/burst immunity	IEC 61000-4-4 2 kV: Power port 1 kV: Signal ports						
Electrostatic discharge immunity	Contact discharge method: 6 kV Air discharge method: 8 kV (IEC/EN 61000-4-2 Level 3)						

#### Structural Specifications

Model No.	22" Wide PFXP6*A*****	19" Wide PFXP6*G*****	15" Wide PFXP6*F*****	12" Wide PFXP6*E*****	15" PFXP6*7*****	12" PFXP6*6*****	Box Only PFXP6*B*****
Grounding	DC Model Functional grounding: Grounding resistance of 100 Ω or less, 2 mm <sup>2</sup> (AWG 14) or thicker wire, or your country's applicable standard (SG and FG are connected inside the product.)						
	AC Model Protective grounding: Grounding resistance of 100 Ω or less, 2 mm <sup>2</sup> (AWG 14) or thicker wire, or your country's applicable standard (SG and PE are connected inside the product.)						
Cooling method	Natural air circulation						
Structure	IP66F, IP67F, UL 50/50E, Type 1, Type 4X (indoor use only), Type 12, Type 13 <b>NOTE:</b> On the front panel when properly installed in an enclosure.					When using a factory-installed front USB cover: IP65F, IP67F, UL 50/50E, Type 1 When using a front USB cover with screw (PFXZCDCVUS1): IP66F, IP67F, UL 50/50E, Type 1, Type 4X (indoor use only), Type 12, Type 13 <b>NOTE:</b> On the front panel when properly installed in an enclosure and not using the front panel USB port	-
External dimensions (W x H x D)	532.6 x 330.6 x 97 mm (20.97 x 13.02 x 3.82 in)	463.6 x 293.6 x 97 mm (18.25 x 11.56 x 3.82 in)	408 x 264 x 95 mm (16.06 x 10.39 x 3.74 in)	308.5 x 230.5 x 95 mm (12.15 x 9.07 x 3.74 in)	397 x 296 x 95 mm (15.63 x 11.65 x 3.74 in)	315 x 241 x 95 mm (12.4 x 9.49 x 3.74 in)	290 x 195 x 65 mm (11.42 x 7.68 x 2.56 in)
	<b>with PCI/PCle slots:</b> 532.6 x 330.6 x 174.4 mm (20.97 x 13.02 x 6.87 in)	<b>with PCI/PCle slots:</b> 463.6 x 293.6 x 174.4 mm (18.25 x 11.56 x 6.87 in)	<b>with PCI/PCle slots:</b> 408 x 264 x 172.4 mm (16.06 x 10.39 x 6.78 in)	<b>with PCI/PCle slots:</b> 308.5 x 230.5 x 172.4 mm (12.15 x 9.07 x 6.78 in)	<b>with PCI/PCle slots:</b> 397 x 296 x 172.4 mm (15.63 x 11.65 x 6.78 in)	<b>with PCI/PCle slots:</b> 315 x 241 x 172.4 mm (12.4 x 9.49 x 6.78 in)	<b>with PCI/PCle slots:</b> 290 x 195 x 142 mm (11.42 x 7.68 x 5.59 in)
	<b>with FAN kit:</b> 532.6 x 330.6 x 129.3 mm (20.97 x 13.02 x 5.09 in)	<b>with FAN kit:</b> 463.6 x 293.6 x 129.3 mm (18.25 x 11.56 x 5.09 in)	<b>with FAN kit:</b> 408 x 264 x 127.3 mm (16.06 x 10.39 x 5.01 in)	<b>with FAN kit:</b> 308.5 x 230.5 x 127.3 mm (12.15 x 9.07 x 5.04 in)	<b>with FAN kit:</b> 397 x 296 x 127.3 mm (15.63 x 11.65 x 5.01 in)	<b>with FAN kit:</b> 315 x 241 x 127.3 mm (12.4 x 9.49 x 5.01 in)	<b>with FAN kit:</b> 290 x 195 x 98 mm (11.42 x 7.68 x 3.86 in)
Panel cut dimensions (W x H) <sup>*2</sup> <sup>*3</sup>	518.5 x 316.5 mm (20.41 x 12.46 in)	449.5 x 279.5 mm (17.7 x 11.0 in)	394 x 250 mm (15.51 x 9.84 in)	295 x 217 mm (16.14 x 8.54 in)	397 x 296 x 83 mm (15.63 x 11.65 x 3.27 in)	301.5 x 227.5 mm (11.87 x 8.96 in)	-
Weight	10.0 kg (22.05 lb) or less	8.4 kg (18.52 lb) or less	7.5 kg (16.53 lb) or less	6.1 kg (13.45 lb) or less	7.2 kg (15.87 lb) or less	5.9 kg (13.00 lb) or less	3.5 kg (7.72 lb) or less <sup>*1</sup>

\*1 If the PCI/PCle slot or FAN kit is connected, add the corresponding weight as follows:

PCI/PCle slot: 1.5 kg (3.31 lb)  
FAN kit: 0.5 kg (1.10 lb)

\*2 For dimensional tolerance, everything +1/-0 mm (+0.04/-0 in) and R in angle are below R3 (R0.12 in).

\*3 Even if the installation wall thickness is within the recommended range for the Panel Cut Dimensions, depending on

**Interfaces** NOTE: Use only the SELV (Safety Extra-Low Voltage) circuit to connect all the interfaces.

Model No.	22" Wide PFXP6*A*****	19" Wide PFXP6*G*****	15" Wide PFXP6*F*****	12" Wide PFXP6*E*****	15" PFXP6*7*****	12" PFXP6*6*****	Box Only PFXP6*B*****
<b>Serial interface COM</b>							
Asynchronous transmission	RS-232C (not isolated) x 1						
Data length	7 or 8 bits						
Stop bit	1 or 2 bits						
Parity	None, odd or even						
Data transmission speed	2,400...115,200 bps						
Connector	D-Sub 9-pin (plug)						
<b>USB (Type A) interface</b>							
Connector	USB 3.0 (Type A) x 2 USB 2.0 (Type A) x 2						
Power supply voltage	5 Vdc ±5%						
Maximum current supplied	USB 3.0 (Type A): 900 mA/port USB 2.0 (Type A): 500 mA/port						
Maximum transmission distance	USB 3.0 (Type A): 3 m (9.84 ft) USB 2.0 (Type A): 5 m (16.4 ft)						
<b>USB (Type C) interface *1</b>							
Connector	USB 3.0 (Type C) x 1						
Power supply voltage	5 Vdc ±5% or 12 Vdc ±5%, USB power delivery (source) supported						
Maximum current supplied	900 mA/port 3000 mA/port when USB power delivery is enabled *2						
Maximum transmission distance	3 m (9.84 ft)						
Resolution	Up to 4,096 x 2,304 pixels at 60 Hz						
<b>Ethernet interface</b>							
Standard	IEEE 1588, 10 BASE-T/ 100 BASE-TX/ 1000BASE-T, Wake-on-LAN (WOL) supported *3						
Connector	Modular jack (RJ-45) x 2						
<b>DisplayPort</b>							
Version	V 1.2, dual mode (DP++) supported						
Resolution	Up to 4,096 x 2,304 pixels at 60 Hz						
<b>Front USB (for display module: 12-inch / 15-inch)</b>							
Connector	-	-	-	-	USB 2.0 (Type A) x 1	-	-
Power supply voltage	-	-	-	-	5 Vdc ±5%	-	-
Maximum current supplied	-	-	-	-	500 mA	-	-
Maximum transmission distance	-	-	-	-	5 m (16.4 ft)	-	-

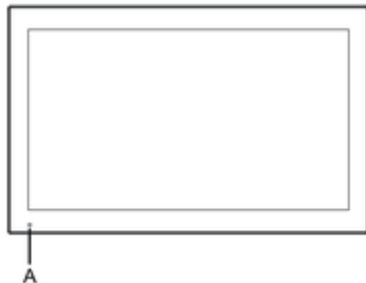
\*1 The USB (Type C) interface supports alternate mode (DisplayPort) and USB power delivery (source, 5 Vdc/12 Vdc). When using USB power delivery, an E-Marked (electronically marked) cable is required.

\*2 When Advanced Box is connected to the Display Module, the power supply capability of USB power delivery is limited to 30 W.

\*3 When the status is S4 (hybrid shutdown), Wake-on-LAN is unavailable.

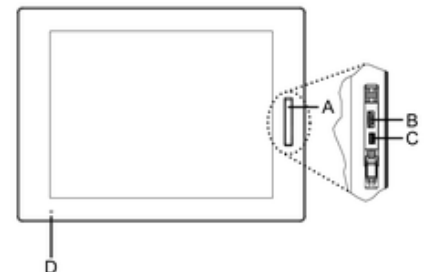
■ Display Module

12-inch Wide, 15-inch Wide, 19-inch Wide, 22-inch Wide



A. Status LED

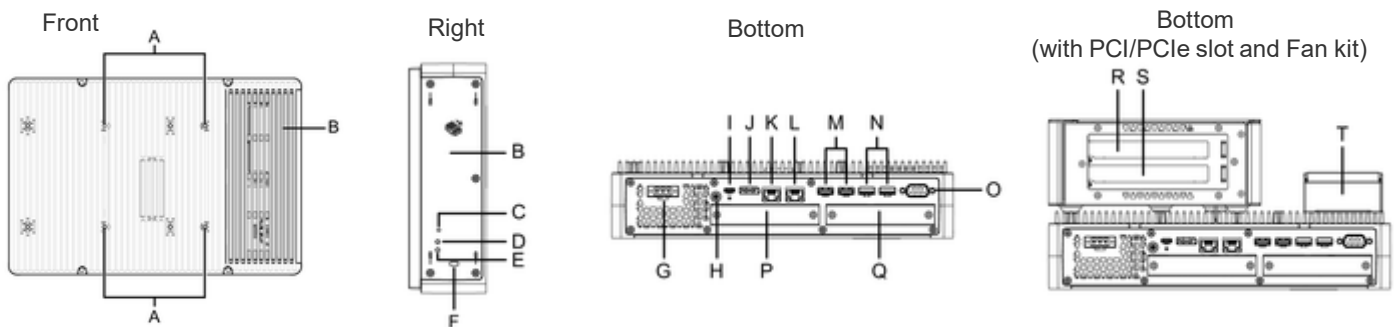
12-inch and 15-inch



A. Front USB cover  
B. USB 2.0 (Type A) \*1  
C. USB 2.0 (micro-B) (this interface is unavailable.)  
D. Status LED

\*1 By default, the front USB is disabled. To enable, set in the Launcher.

■ Box Module



- A. VESA mount screw hole\*1
- B. Maintenance hatch
- C. Power button
- D. Storage access LED
- E. Status LED
- F. Security lock slot\*2
- G. Power connector

- H. PE terminal (used for AC model only)
- I. USB 3.0 (Type C)
- J. DisplayPort
- K. Ethernet 1
- L. Ethernet 2
- M. USB 3.0 (Type A) \*3

- N. USB 2.0 (Type A) \*3
- O. COM (RS-232C, not isolated)
- P. Optional interface slot 1
- Q. Optional interface slot 2
- R. PCI/PCIe card slot 1 \*4
- S. PCI/PCIe card slot 2 \*4
- T. FAN kit

\*1 This product can be mounted to commercially available monitor arms that comply with the VESA standard (100 x 100 mm). Use four M4 screws (valid screw depth: 8 mm [0.31 in]). The necessary torque is 0.7 to 0.8 N•m (6.2 to 7.1 lb-in). VESA mounting is not UL certified. VESA mounting is not possible when the PCI/PCIe slot is installed.

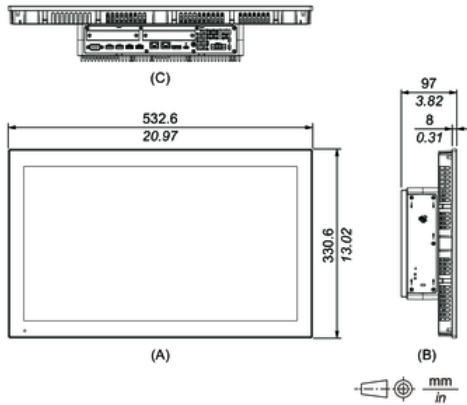
\*2 Only Kensington lock supported. Slot size 3 x 7 mm (0.12 x 0.28 in).

\*3 USB storage devices that support USB 3.0 are recommended. Use the USB 3.0 port to connect the storage devices.

\*4 For PCI/PCIe slot configuration, refer to [Expansion Slot Installation](#).

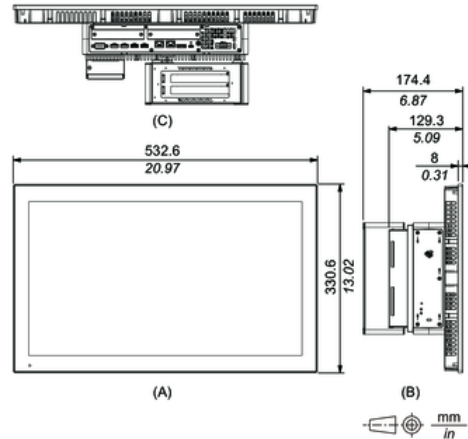
■ 22-inch Wide Advanced Model

External Dimensions



- A. Front
- B. Left
- C. Bottom

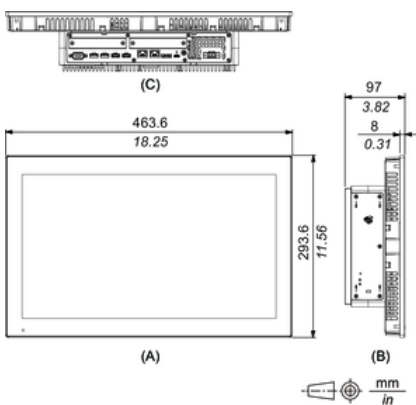
External Dimensions with PCI/PCIe Slots and FAN kit



- A. Front
- B. Left
- C. Bottom

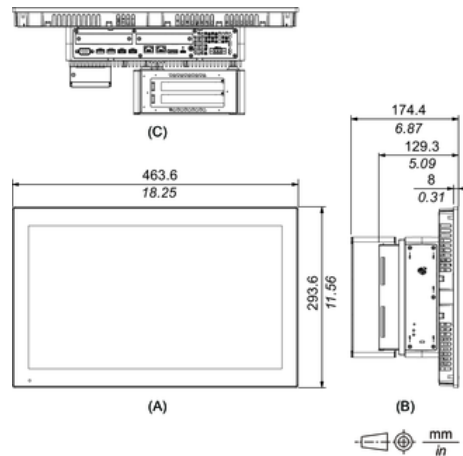
■ 19-inch Wide Advanced Model

External Dimensions



- A. Front
- B. Left
- C. Bottom

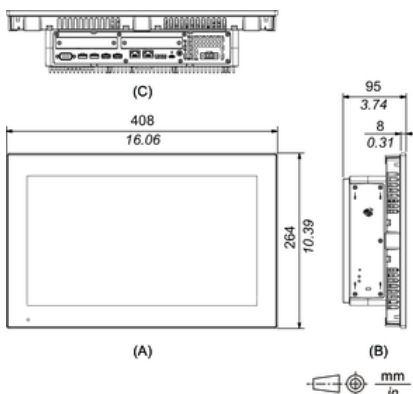
External Dimensions with PCI/PCIe Slots and FAN kit



- A. Front
- B. Left
- C. Bottom

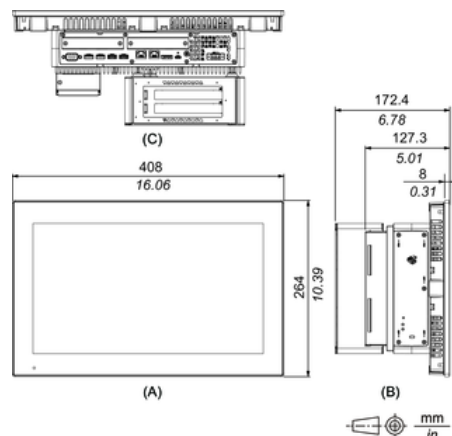
■ 15-inch Wide Advanced Model

External Dimensions



- A. Front
- B. Left
- C. Bottom

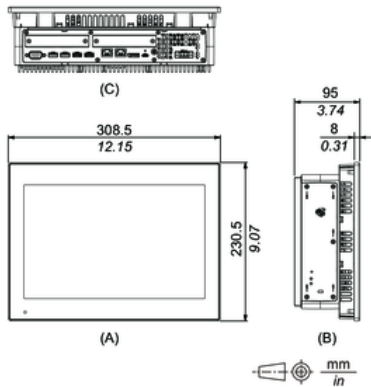
External Dimensions with PCI/PCIe Slots and FAN kit



- A. Front
- B. Left
- C. Bottom

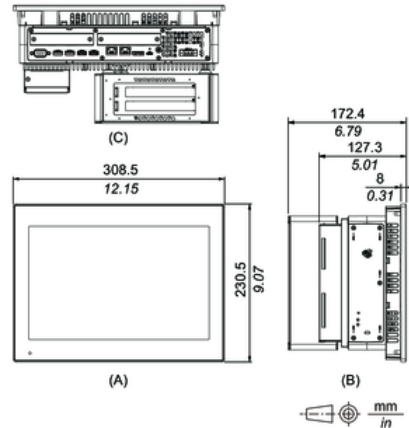
■ 12-inch Wide Advanced Model

External Dimensions



- A. Front
- B. Left
- C. Bottom

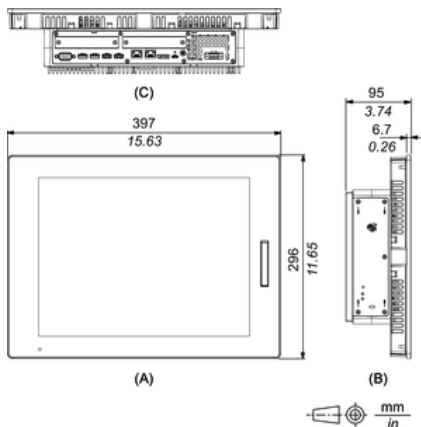
External Dimensions with PCI/PCIe Slots and FAN kit



- A. Front
- B. Left
- C. Bottom

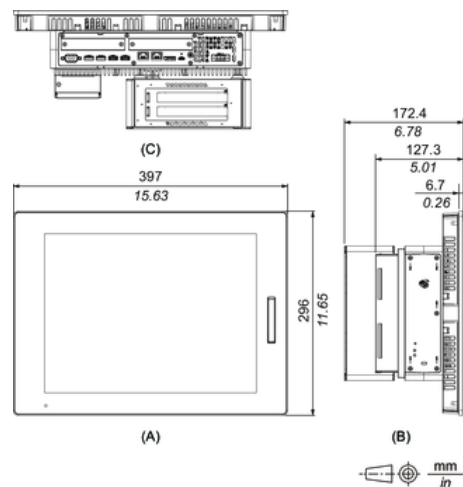
■ 15-inch Advanced Model

External Dimensions



- A. Front
- B. Left
- C. Bottom

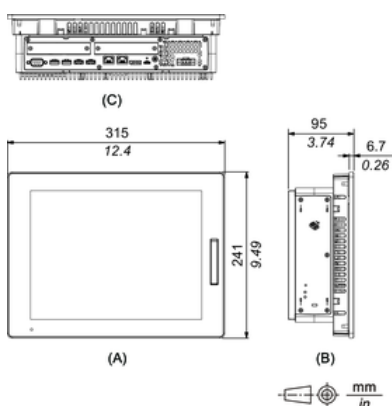
External Dimensions with PCI/PCIe Slots and FAN kit



- A. Front
- B. Left
- C. Bottom

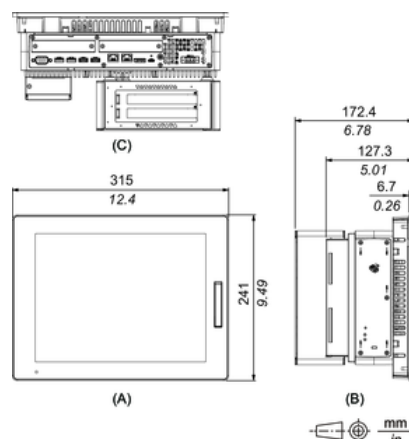
■ 12-inch Advanced Model

External Dimensions



- A. Front
- B. Left
- C. Bottom

External Dimensions with PCI/PCIe Slots and FAN kit



- A. Front
- B. Left
- C. Bottom





#### Functional Specification

		22" Wide	19" Wide	15" Wide	12" Wide	10" Wide	15"	12"	Box Only
Model No.		PFXP63A*****	PFXP63G*****	PFXP63F*****	PFXP63E*****	PFXP63D*****	PFXP637*****	PFXP636*****	PFXP63B*****
		Core i3							
CPU		Core™ i3-8145UE							
	Base frequency	2.20 GHz							
	Max turbo boost frequency	3.90 GHz							
	L2 cache	4 MB							
	Core number	2							
	Thread number	4							
Main memory	260-pin SO-DIMM socket x 2, DDR4-2400 (Up to 16 GB/socket, up to 32 GB for 2 sockets)								
Video memory	Shared memory (UMA) Maximum allocation size: Automatic allocation of up to half the installed main memory								
Storage slot	M.2 SSD SATA x 1 (Disk 0) 2.5-inch SATA (HDD/SSD) x 1 (Disk 1) SATA speed: 6 Gb/s, 3 Gb/s, 1.5 Gb/s								
Expansion slot	-								
Graphics accelerator	Intel UHD Graphics 620 (built in CPU)								
Security chip	TPM 2.0								
BIOS	UEFI BIOS								
Operating system	Windows® 10 IoT Enterprise 2019 LTSC (64bit)								
Watchdog timer *1	Timeout setting from either 1 to 255 seconds, or 1 to 255 minutes, is possible (set up using API)								
Buzzer	Yes								

\*1 The watchdog timer is supported by products with the following system version.

BIOS: WAR02 or later  
OS Base: 2.0 or later

You can check the system version from the Launcher. Refer to System . To use the watchdog timer on a product with a WAR01 BIOS, and OS Base 1.0, the BIOS and System Monitor must be updated. Follow the steps below to update.

BIOS: Contact customer support for instructions on how to update.

System Monitor: Download and install the driver(PFXPHMIP6\_Driver\_Installer\_Ver.x.x.zip) and the utility (PFXPHMIP6\_Utility\_Installer\_Ver.x.x.zip) from the PS6000 and FP6000 Series Utility download page in the following URL.

<https://www.pro-face.com/trans/en/manual/1085.html>

#### Display Specifications

	22" Wide	19" Wide	15" Wide	12" Wide	10" Wide	15"	12"
Model No.	PFXP63A*****	PFXP63G*****	PFXP63F*****	PFXP63E*****	PFXP63D*****	PFXP637*****	PFXP636*****
Display Size	21.5"	18.5"	15.6"	12.1"	10.1"	15"	12.1"
Display type	TFT Color LCD						
Resolution	1,920 x 1,080 pixels (FHD)		1,366 x 768 pixels (FWXGA)	1,280 x 800 pixels (WXGA)		1,024 x 768 pixels (XGA)	
Effective display area (W x H)	408.96 x 230.04 mm (16.1 x 9.06 in)	476.64 x 268.11 mm (18.77 x 10.56 in)	344.23 x 193.54 mm (13.55 x 7.62 in)	261.12 x 163.2 mm (10.28 x 6.43 in)	216.96 x 135.6 mm (8.54 x 5.34 in)	304.13 x 228.1 mm (11.97 x 8.98 in)	245.76 x 184.32 mm (9.68 x 7.26 in)
Display colors	16 million colors						
Backlight	White LED (not user replaceable. Please contact customer support. )						
Backlight service life	50,000 hours or more (continuous operation at 25 °C [77 °F] before backlight brightness decreases to 50%)						
Brightness control	0...100 (adjusted with touch panel or software)						

#### Touch Panel

	22" Wide	19" Wide	15" Wide	12" Wide	10" Wide	15"	12"
Model No.	PFXP63A*****	PFXP63G*****	PFXP63F*****	PFXP63E*****	PFXP63D*****	PFXP637*****	PFXP636*****
Touch panel type	Projected capacitive with optimized noise filter					Resistive film (analog)	
Touch points	Multi-touch (two-point touch)						
Touch panel service life	10 million times or more						
Touch mode	Standard mode , water detection mode , glove mode NOTE: For details, refer to <a href="#">Manual</a> .					Not applicable	

#### ■ Electrical Specifications

##### AC

		22" Wide	19" Wide	15" Wide	12" Wide	10" Wide	15"	12"	Box Only
Model No.		PFXP63A*****	PFXP63G*****	PFXP63F*****	PFXP63E*****	PFXP63D*****	PFXP637*****	PFXP636*****	PFXP63B*****
Rated input voltage		100...240 Vac							
Input voltage limits		85...264 Vac							
Voltage drop (at rated input voltage)		20 ms or less							
Power consumption	Max	194 VA	191 VA	179 VA	178 VA	173 VA	181 VA	176 VA	99 VA
	When power is not supplied to external devices	125 VA	122 VA	108 VA	107 VA	102 VA	111 VA	106 VA	48 VA
	When screen turns off (power is not supplied to external devices)	69 VA							
In-rush current		30 A or less							
Noise immunity		Noise voltage: 1,500 Vp-p Pulse duration: 1 μs Rise time: 1 ns (via noise simulator)							
Dielectric strength		1,500 Vac for 1 minute (between power terminal and PE terminal)							
Insulation resistance		500 Vdc, 10 MΩ or more (between power terminal and PE terminal)							

##### DC

		22" Wide	19" Wide	15" Wide	12" Wide	10" Wide	15"	12"	Box Only
Model No.		PFXP63A*****	PFXP63G*****	PFXP63F*****	PFXP63E*****	PFXP63D*****	PFXP637*****	PFXP636*****	PFXP63B*****
Rated input voltage		24 Vdc							
Input voltage limits		18...31.2 Vdc							
Voltage drop (at rated input voltage)		5 ms or less							
Power consumption	Max	172 W	169 W	157 W	156 W	152 W	159 W	155 W	87 W
	When power is not supplied to external devices	106 W	103 W	91 W	90 W	86 W	93 W	89 W	39 W
	When screen turns off (power is not supplied to external devices)	58 W							
In-rush current		30 A or less							
Noise immunity		Noise voltage: 1,000 Vp-p Pulse duration: 1 μs Rise time: 1 ns (via noise simulator)							
Dielectric strength		1,000 Vac for 1 minute (between power terminal and FG terminal)							
Insulation resistance		500 Vdc, 10 MΩ or more (between power terminal and FG terminal)							

#### ■ Environmental Specifications

##### With HDD

		22" Wide	19" Wide	15" Wide	12" Wide	10" Wide	15"	12"	Box Only
Model No.		PFXP63A*****	PFXP63G*****	PFXP63F*****	PFXP63E*****	PFXP63D*****	PFXP637*****	PFXP636*****	PFXP63B*****
<b>Physical environment</b>									
Ambient air temperature (T-Code: T4)	Panel (Landscape) mounting: 0...40 °C (32...104 °F)								Wall/Book (Side) mounting: 0...40 °C (32...104 °F)
	Panel (Portrait) mounting: 0...40 °C (32...104 °F)								Flat/Book (Top) mounting: 0...40 °C (32...104 °F)
Storage temperature	-20...60 °C (-4...140 °F)								-30...70 °C (-22...158 °F)
Ambient air and storage humidity	10...90% RH (non-condensing, wet bulb temperature 39 °C [102.2 °F] or less)								
Dust	0.1 mg/m <sup>3</sup> (10-7 oz/ft <sup>3</sup> ) or less (non-conductive levels)								
Pollution degree	For use in Pollution Degree 2 environment								
Corrosive gases	Free of corrosive gases								
Atmospheric pressure (operating altitude)	800...1,114 hPa (2,000 m [6,561 ft] or lower)								
<b>Mechanical environment</b>									
Vibration resistance	IEC 60068-2-6 compliant 5...9 Hz Single amplitude 1.75 mm (0.07 in) 9...150 Hz Fixed acceleration: 4.9 m/s <sup>2</sup> X, Y, Z directions for 10 cycles (approximately 100 minutes)								
	<b>NOTE:</b> In an environment with vibrations, the read/write speed on the HDD may decrease.								
Shock resistance	IEC/EN 61131-2 compliant 147 m/s <sup>2</sup> , X, Y, Z directions for 3 times								
<b>Electrical environment</b>									
Electrical fast transient/burst immunity	IEC 61000-4-4 2 kV: Power port 1 kV: Signal ports								
Electrostatic discharge immunity	Contact discharge method: 6 kV Air discharge method: 8 kV (IEC/EN 61000-4-2 Level 3)								

\*1 The FAN kit is required when using this product with HDD installed.

#### Environmental Specifications

##### Without HDD

	22" Wide	19" Wide	15" Wide	12" Wide	10" Wide	15"	12"	Box Only
Model No.	PFXP63A*****	PFXP63G*****	PFXP63F*****	PFXP63E*****	PFXP63D*****	PFXP637*****	PFXP636*****	PFXP63B*****
<b>Physical environment</b>								
Ambient air temperature (T-Code: T4)	Panel (Landscape) mounting: 0...55 °C (32...131 °F) (for 19-inch Wide and 22-inch Wide: 0...50 °C (32...122 °F))							Wall/Book (Side) mounting: 0...55 °C (32...131 °F)
	Panel (Portrait) mounting: 0...50 °C (32...122 °F)							Flat/Book (Top) mounting: 0...50 °C (32...122 °F)
Storage temperature	-20...60 °C (-4...140 °F)							-30...70 °C (-22...158 °F)
Ambient air and storage humidity	10...90% RH (non-condensing, wet bulb temperature 39 °C [102.2 °F] or less)							
Dust	0.1 mg/m <sup>3</sup> (10-7 oz/ft <sup>3</sup> ) or less (non-conductive levels)							
Pollution degree	For use in Pollution Degree 2 environment							
Corrosive gases	Free of corrosive gases							
Atmospheric pressure (operating altitude)	800...1,114 hPa (2,000 m [6,561 ft] or lower)							
<b>Mechanical environment</b>								
Vibration resistance	IEC/EN 61131-2 compliant 5...9 Hz Single amplitude 3.5 mm (0.14 in) 9...150 Hz Fixed acceleration: 9.8 m/s <sup>2</sup> X, Y, Z directions for 10 cycles (approximately 100 minutes)  <b>NOTE:</b> The vibration resistance when using the 22-inch Wide model with PCI/PCIe slots attached is as follows. IEC 60068-2-6 compliant 5...9 Hz Single amplitude 1.75 mm (0.07 in) 9...150 Hz Fixed acceleration: 4.9 m/s <sup>2</sup> X, Y, Z directions for 10 cycles (approximately 100 minutes)							
Shock resistance	IEC/EN 61131-2 compliant 147 m/s <sup>2</sup> , X, Y, Z directions for 3 times							
<b>Electrical environment</b>								
Electrical fast transient/burst immunity	IEC 61000-4-4 2 kV: Power port 1 kV: Signal ports							
Electrostatic discharge immunity	Contact discharge method: 6 kV Air discharge method: 8 kV (IEC/EN 61000-4-2 Level 3)							

#### Structural Specifications

	22" Wide	19" Wide	15" Wide	12" Wide	10" Wide	15"	12"	Box Only
Model No.	PFXP63A*****	PFXP63G*****	PFXP63F*****	PFXP63E*****	PFXP63D*****	PFXP637*****	PFXP636*****	PFXP63B*****
Grounding	DC Model	Functional grounding: Grounding resistance of 100 Ω or less, 2 mm <sup>2</sup> (AWG 14) or thicker wire, or your country's applicable standard (SG and FG are connected inside the product.)						
	AC Model	Protective grounding: Grounding resistance of 100 Ω or less, 2 mm <sup>2</sup> (AWG 14) or thicker wire, or your country's applicable standard (SG and PE are connected inside the product.)						
Cooling method	Natural air circulation							
Structure	IP66F, IP67F, UL 50/50E, Type 1, Type 4X (indoor use only), Type 12, Type 13 <b>NOTE:</b> On the front panel when properly installed in an enclosure.					When using a factory-installed front USB cover: IP65F, IP67F, UL 50/50E, Type 1 When using a front USB cover with screw (PFXZCDCVUS1): IP66F, IP67F, UL 50/50E, Type 1, Type 4X (indoor use only), Type 12, Type 13 <b>NOTE:</b> On the front panel when properly installed in an enclosure and not using the front panel USB port		-
External dimensions (W x H x D)	532.6 x 330.6 x 85 mm (20.97 x 13.02 x 3.35 in)	463.6 x 293.6 x 85 mm (18.25 x 11.56 x 3.35 in)	408 x 264 x 83 mm (16.06 x 10.39 x 3.27 in)	308.5 x 230.5 x 83 mm (12.15 x 9.07 x 3.27 in)	268.5 x 198.5 x 83 mm (10.57 x 7.81 x 3.27 in)	397 x 296 x 83 mm (15.63 x 11.65 x 3.27 in)	315 x 241 x 83 mm (12.4 x 9.49 x 3.27 in)	250 x 165 x 53 mm (9.84 x 6.5 x 2.09 in)
Panel cut dimensions (W x H) *1 *2	518.5 x 316.5 mm (20.41 x 12.46 in)	449.5 x 279.5 mm (17.7 x 11.0 in)	394 x 250 mm (15.51 x 9.84 in)	295 x 217 mm (16.14 x 8.54 in)	255 x 185 mm (10.04 x 7.28 in)	397 x 296 x 83 mm (15.63 x 11.65 x 3.27 in)	301.5 x 227.5 mm (11.87 x 8.96 in)	-
Weight	9.0 kg (19.84 lb) or less	7.4 kg (16.31 lb) or less	6.5 kg (14.33 lb) or less	5.1 kg (11.24 lb) or less	4.5 kg (9.92 lb) or less	6.2 kg (13.67 lb) or less	4.9 kg (10.80 lb) or less	2.5 kg (5.51 lb) or less

\*1 For dimensional tolerance, everything +1/-0 mm (+0.04/-0 in) and R in angle are below R3 (R0.12 in).

\*2 Even if the installation wall thickness is within the recommended range for the Panel Cut Dimensions, depending on

**Interfaces** NOTE: Use only the SELV (Safety Extra-Low Voltage) circuit to connect all the interfaces.

Model No.	22" Wide	19" Wide	15" Wide	12" Wide	10" Wide	15"	12"	Box Only
Model No.	PFXP63A*****	PFXP63G*****	PFXP63F*****	PFXP63E*****	PFXP63D*****	PFXP637*****	PFXP636*****	PFXP63B*****
<b>Serial interface COM</b>								
Asynchronous transmission	RS-232C (not isolated) x 1							
Data length	7 or 8 bits							
Stop bit	1 or 2 bits							
Parity	None, odd or even							
Data transmission speed	2,400...115,200 bps							
Connector	D-Sub 9-pin (plug)							
<b>USB (Type A) interface</b>								
Connector	USB 3.0 (Type A) x 2 USB 2.0 (Type A) x 2							
Power supply voltage	5 Vdc ±5%							
Maximum current supplied	USB 3.0 (Type A): 900 mA/port USB 2.0 (Type A): 500 mA/port							
Maximum transmission distance	USB 3.0 (Type A): 3 m (9.84 ft) USB 2.0 (Type A): 5 m (16.4 ft)							
<b>USB (Type C) interface *1</b>								
Connector	USB 3.0 (Type C) x 1							
Power supply voltage	5 Vdc ±5% or 12 Vdc ±5%, USB power delivery (source) supported							
Maximum current supplied	900 mA/port 3000 mA/port when USB power delivery is enabled *2							
Maximum transmission distance	3 m (9.84 ft)							
Resolution	Up to 4,096 x 2,304 pixels at 60 Hz							
<b>Ethernet interface</b>								
Standard	IEEE 1588, 10 BASE-T/ 100 BASE-TX/ 1000BASE-T, Wake-on-LAN (WOL) supported *3							
Connector	Modular jack (RJ-45) x 2							
<b>DisplayPort</b>								
Version	V 1.2, dual mode (DP++) supported							
Resolution	Up to 4,096 x 2,304 pixels at 60 Hz							
<b>Front USB (for display module: 12-inch / 15-inch)</b>								
Connector	-				USB 2.0 (Type A) x 1		-	
Power supply voltage	-				5 Vdc ±5%		-	
Maximum current supplied	-				500 mA		-	
Maximum transmission distance	-				5 m (16.4 ft)		-	

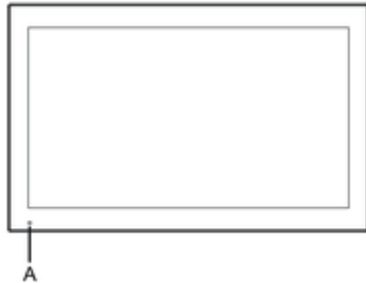
\*1 The USB (Type C) interface supports alternate mode (DisplayPort) and USB power delivery (source, 5 Vdc/12 Vdc). When using USB power delivery, an E-Marked (electronically marked) cable is required.

\*3 For Standard Box, USB power delivery is effective only when Standard Box is used alone.

\*4 When the status is S4 (hybrid shutdown), Wake-on-LAN is unavailable.

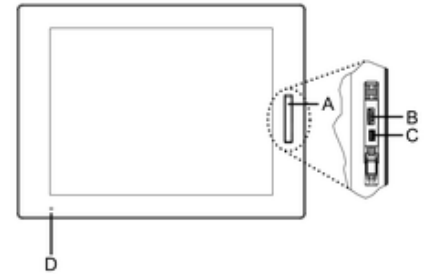
■ Display Module

10-inch Wide, 12-inch Wide, 15-inch Wide, 19-inch Wide, 22-inch Wide



A. Status LED

12-inch and 15-inch

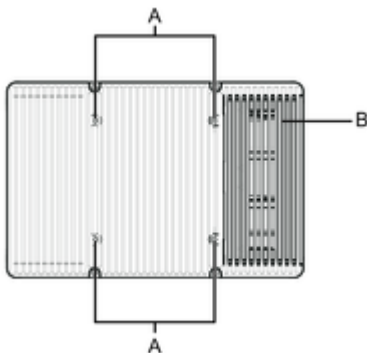


- A. Front USB cover
- B. USB 2.0 (Type A) \*1
- C. USB 2.0 (micro-B) (this interface is unavailable.)
- D. Status LED

\*1 By default, the front USB is disabled. To enable, set in the [Launcher](#).

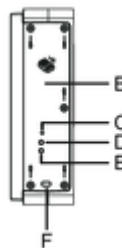
■ Box Module

Front



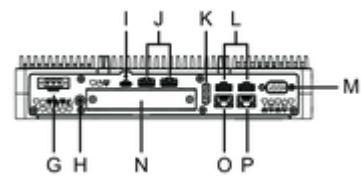
- A. VESA mount screw hole\*1
- B. Maintenance hatch
- C. Power button
- D. Storage access LED
- E. Status LED
- F. Security lock slot\*2
- G. Power connector
- H. PE terminal (used for AC model only)

Right



- I. USB 3.0 (Type C)
- J. USB 3.0 (Type A)\*3
- K. DisplayPort
- L. USB 2.0 (Type A)\*3
- M. COM (RS-232C, not isolated)
- N. Optional interface slot
- O. Ethernet 1
- P. Ethernet 2

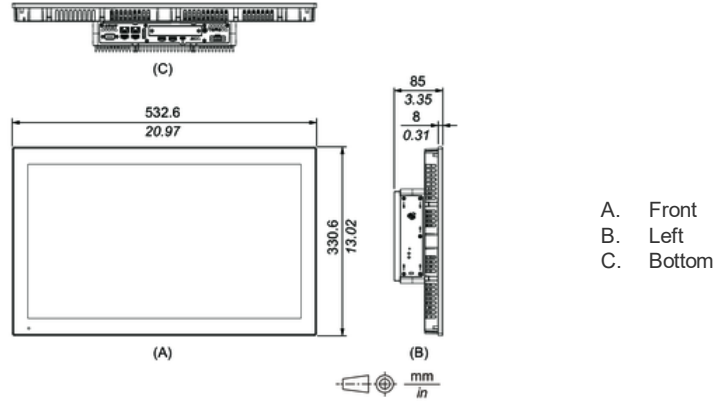
Bottom



\*1 This product can be mounted to commercially available monitor arms that comply with the VESA standard (100 x 100 mm). Use four M4 screws (valid screw depth: 8 mm [0.31 in]). The necessary torque is 0.7 to 0.8 N·m (6.2 to 7.1 lb-in). VESA mounting is not UL certified.  
VESA mounting is not possible when the PCI/PCIe slot is installed.  
\*2 Only Kensington lock supported. Slot size 3 x 7 mm (0.12 x 0.28 in).  
\*3 USB storage devices that support USB 3.0 are recommended. Use the USB 3.0 port to connect the storage devices.

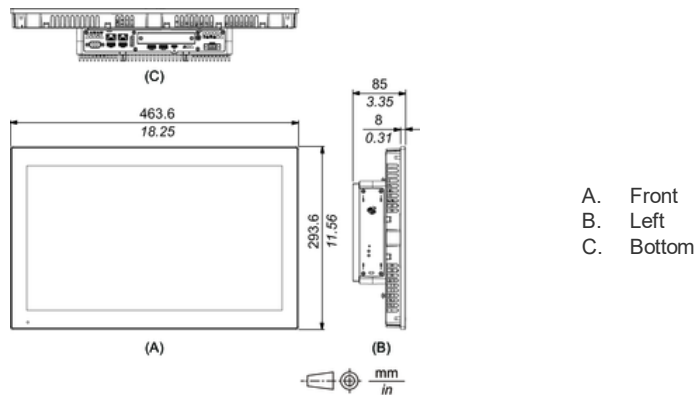
### 22-inch Wide Standard Model

#### External Dimensions



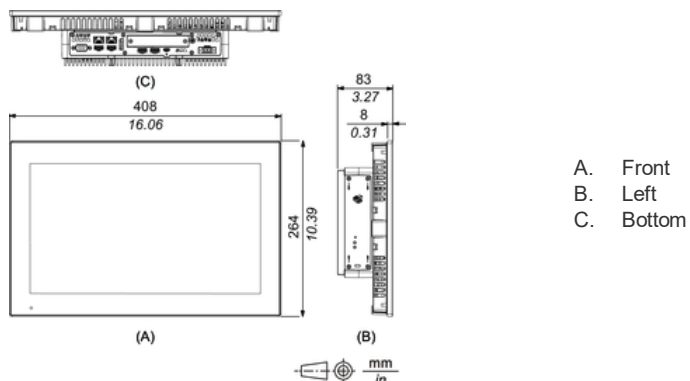
### 19-inch Wide Standard Model

#### External Dimensions



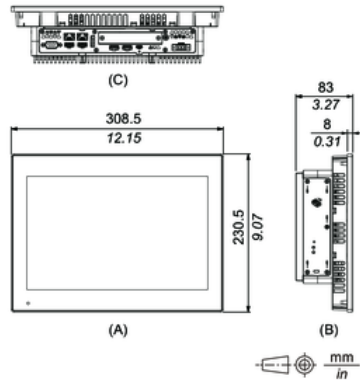
### 15-inch Wide Standard Model

#### External Dimensions



### 12-inch Wide Standard Model

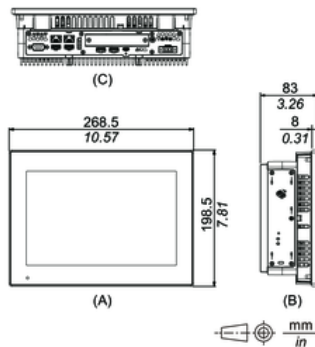
#### External Dimensions



- A. Front
- B. Left
- C. Bottom

### 10-inch Wide Standard Model

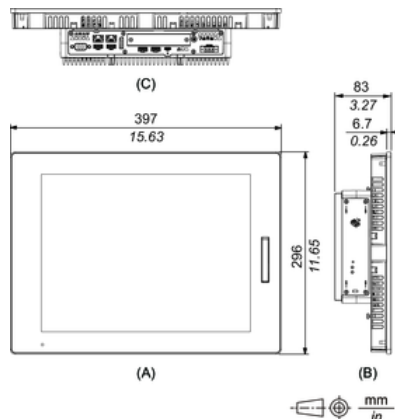
#### External Dimensions



- A. Front
- B. Left
- C. Bottom

### 15-inch Standard Model

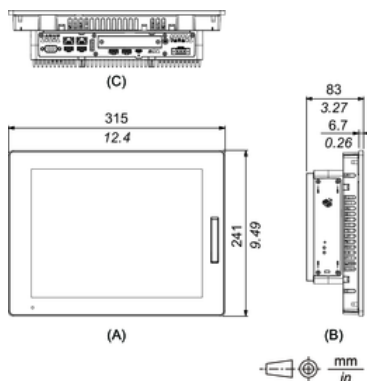
#### External Dimensions



- A. Front
- B. Left
- C. Bottom

### 12-inch Standard Model

#### External Dimensions



- A. Front
- B. Left
- C. Bottom



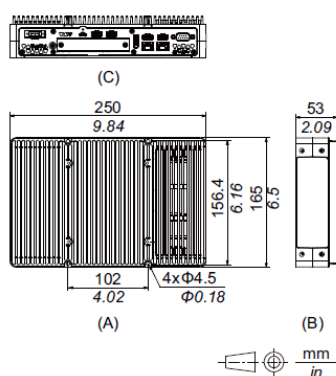
# Standard Model

PS 6 000 Series

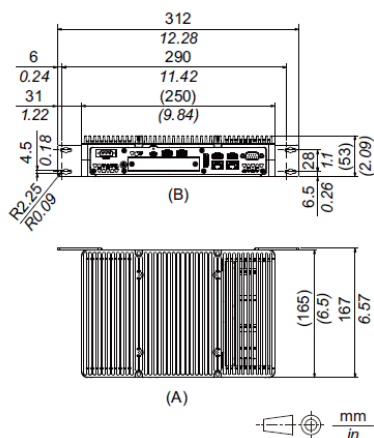
## Dimensions / Panel Type Installation

### Standard Box

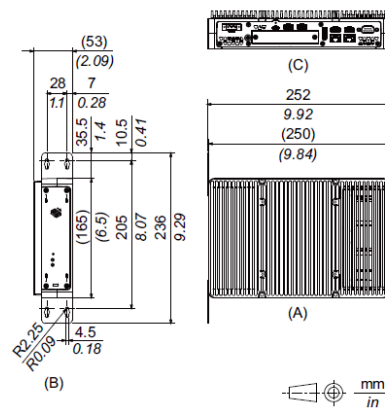
External Dimensions



Dimensions with Book Mount Adapter (Top)



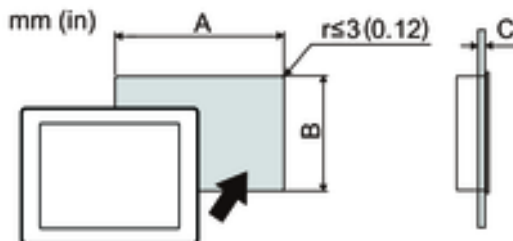
Dimensions with Book Mount Adapter (Side)



A. Front  
B. Left  
C. Bottom

### Panel Cut Dimensions

Based on the panel cut dimensions, open a mount hole on the panel.



Model Name		
A	B	C
<b>12-inch</b>		
301.5 mm (+1/-0 mm) (11.87 in [+0.04/-0 in])	227.5 mm (+1/-0 mm) (8.96 in [+0.04/-0 in])	1.6...5 mm (0.06...0.2 in)
<b>15-inch</b>		
383.5 mm (+1/-0 mm) (15.1 in [+0.04/-0 in])	282.5 mm (+1/-0 mm) (11.12 in [+0.04/-0 in])	1.6...5 mm (0.06...0.2 in)
<b>10-inch Wide</b>		
255 mm (+1/-0 mm) (10.04 in [+0.04/-0 in])	185 mm (+1/-0 mm) (7.28 in [+0.04/-0 in])	1.6...5 mm (0.06...0.2 in)
<b>12-inch Wide</b>		
295 mm (+1/-0 mm) (11.61 in [+0.04/-0 in])	217 mm (+1/-0 mm) (8.54 in [+0.04/-0 in])	1.6...5 mm (0.06...0.2 in)
<b>15-inch Wide</b>		
394 mm (+1/-0 mm) (15.51 in [+0.04/-0 in])	250 mm (+1/-0 mm) (9.84 in [+0.04/-0 in])	1.6...5 mm (0.06...0.2 in)
<b>19-inch Wide</b>		
449.5 mm (+1/-0 mm) (17.7 in [+0.04/-0 in])	279.5 mm (+1/-0 mm) (11.0 in [+0.04/-0 in])	1.6...5 mm (0.06...0.2 in)
<b>22-inch Wide</b>		
518.5 mm (+1/-0 mm) (20.41 in [+0.04/-0 in])	316.5 mm (+1/-0 mm) (12.46 in [+0.04/-0 in])	1.6...5 mm (0.06...0.2 in)

#### Functional Specification

		22" Wide	19" Wide	15" Wide	12" Wide	10" Wide	15"	12"	Box Only
Model No.		PFXP6*AB0NA*****	PFXP6*GB0NA*****	PFXP6*FB0NA*****	PFXP6*EB0NA*****	PFXP6*DB0NA*****	PFXP6*7B0NA*****	PFXP6*6B0NA*****	PFXP6*BB0NA*****
		Atom							
CPU		Intel Atom Processor X Series, x6211E (Dual Core)				Intel Atom Processor X Series, x6425E (Quad Core)			
	Base frequency	1.30 GHz				2.0 GHz			
	Max turbo boost frequency *1	3.00 GHz							
	L2 cache	1.5 MB							
	Core number	2				4			
	Thread number	2				4			
Main memory	Dual channel DDR4, Up to 3200 MHz (In-Band ECC supported) *2 260-pin DDR4 SO-DIMM socket x 2, (Up to 16 GB/socket, up to 32 GB for 2 sockets)								
Video memory	Shared memory (UMA) Maximum allocation size: Automatic allocation of up to half the installed main memory								
Storage slot	M.2 SSD SATA x 1, M.2 Key B, Type 2242 SATA speed: 6 Gb/s, 3 Gb/s, 1.5 Gb/s								
Expansion slot	-								
Graphics accelerator	Intel® UHD Graphics for 10th Gen Intel® Processors								
Security chip	TPM 2.0								
BIOS	UEFI BIOS								
Operating system	Windows® 10 IoT Enterprise 2021 LTSC (64bit)								
Watchdog timer *1	Timeout setting from either 1 to 255 seconds, or 1 to 255 minutes, is possible (set up using API)								
Buzzer	Yes								

\*1 To enable Turbo Boost, refer to Manual.

\*2 For the setting of In-Band ECC, refer to Manual.

#### Display Specifications

		22" Wide	19" Wide	15" Wide	12" Wide	10" Wide	15"	12"
Model No.		PFXP6*AB0NA*****	PFXP6*GB0NA*****	PFXP6*FB0NA*****	PFXP6*EB0NA*****	PFXP6*DB0NA*****	PFXP6*7B0NA*****	PFXP6*6B0NA*****
Display Size		21.5"	18.5"	15.6"	12.1"	10.1"	15"	12.1"
Display type	TFT Color LCD							
Resolution		1,920 x 1,080 pixels (FHD)		1,366 x 768 pixels (FWXGA)	1,280 x 800 pixels (WXGA)		1,024 x 768 pixels (XGA)	
Effective display area (W x H)		408.96 x 230.04 mm (16.1 x 9.06 in)	476.64 x 268.11 mm (18.77 x 10.56 in)	344.23 x 193.54 mm (13.55 x 7.62 in)	261.12 x 163.2 mm (10.28 x 6.43 in)	216.96 x 135.6 mm (8.54 x 5.34 in)	304.13 x 228.1 mm (11.97 x 8.98 in)	245.76 x 184.32 mm (9.68 x 7.26 in)
Display colors	16 million colors							
Backlight	White LED (not user replaceable. Please contact customer support. )							
Backlight service life	50,000 hours or more (continuous operation at 25 °C [77 °F] before backlight brightness decreases to 50%)							
Brightness control	0...100 (adjusted with touch panel or software)							

#### Touch Panel

		22" Wide	19" Wide	15" Wide	12" Wide	10" Wide	15"	12"	
Model No.		PFXP6*AB0NA*****	PFXP6*GB0NA*****	PFXP6*FB0NA*****	PFXP6*EB0NA*****	PFXP6*DB0NA*****	PFXP6*7B0NA*****	PFXP6*6B0NA*****	
Touch panel type		Projected capacitive with optimized noise filter					Resistive film (analog)		
Touch points	Multi-touch (two-point touch)								
Touch panel service life	10 million times or more								
Touch mode		Standard mode, water detection mode, glove mode NOTE: For details, refer to <a href="#">Manual</a> .					Not applicable		

#### Electrical Specifications

		22" Wide	19" Wide	15" Wide	12" Wide	10" Wide	15"	12"	Box Only
Model No.		PFXP6*AB0NA*****	PFXP6*GB0NA*****	PFXP6*FB0NA*****	PFXP6*EB0NA*****	PFXP6*DB0NA*****	PFXP6*7B0NA*****	PFXP6*6B0NA*****	PFXP6*BB0NA*****
Rated input voltage		12...24 Vdc							
Input voltage limits		9...36 Vdc							
Voltage drop (at rated input voltage)		20.4 Vdc: 1 ms or less							
Power consumption	Max	115 W	114 W	104 W	101 W	98 W	106 W	102 W	45 W
	When power is not supplied to external devices	79 W	78 W	68 W	65 W	62 W	70 W	66 W	27 W
	When screen turns off (power is not supplied to external devices)	29 VA							
In-rush current		30 A or less							
Dielectric strength		N/A (non-isolated)							
Insulation resistance		N/A (non-isolated)							

#### Environmental Specifications

		22" Wide	19" Wide	15" Wide	12" Wide	10" Wide	15"	12"	Box Only	
Model No.		PFXP6*AB0NA*****	PFXP6*GB0NA*****	PFXP6*FB0NA*****	PFXP6*EB0NA*****	PFXP6*DB0NA*****	PFXP6*7B0NA*****	PFXP6*6B0NA*****	PFXP6*BB0NA*****	
<b>Physical environment</b>										
Ambient air temperature (T-Code: T4)		0...55 °C (32...131 °F) (for 19-inch Wide and 22-inch Wide: 0...50 °C [32...122 °F])							0...55 °C (32...131 °F)	
Storage temperature		-20...60 °C (-4...140 °F)								
Ambient air and storage humidity		10...90% RH (non-condensing, wet bulb temperature 39 °C [102.2 °F] or less)								
Dust		0.1 mg/m <sup>3</sup> (10-7 oz/ft <sup>3</sup> ) or less (non-conductive levels)								
Pollution degree		For use in Pollution Degree 2 environment								
Corrosive gases		Free of corrosive gases								
Atmospheric pressure (operating altitude)		800...1,114 hPa (2,000 m [6,561 ft] or lower)								
<b>Mechanical environment</b>										
Vibration resistance		IEC/EN 61131-2 compliant 5...9 Hz Single amplitude 3.5 mm (0.14 in) 9...150 Hz Fixed acceleration: 9.8 m/s <sup>2</sup> X, Y, Z directions for 10 cycles (approximately 100 minutes)								
Shock resistance		IEC/EN 61131-2 compliant 147 m/s <sup>2</sup> , X, Y, Z directions for 3 times								
<b>Electrical environment</b>										
Electrical fast transient/burst immunity		IEC 61000-4-4 2 kV: Power port 1 kV: Signal ports								
Electrostatic discharge immunity		Contact discharge method: 6 kV Air discharge method: 8 kV (IEC/EN 61000-4-2 Level 3)								

#### Structural Specifications

		22" Wide	19" Wide	15" Wide	12" Wide	10" Wide	15"	12"	Box Only	
Model No.		PFXP6*AB0NA*****	PFXP6*GB0NA*****	PFXP6*FB0NA*****	PFXP6*EB0NA*****	PFXP6*DB0NA*****	PFXP6*7B0NA*****	PFXP6*6B0NA*****	PFXP6*BB0NA*****	
Grounding		Functional grounding: Grounding resistance of 100 Ω or less, 2 mm <sup>2</sup> (AWG 14) or thicker wire, or your country's applicable standard (SG and FG are connected inside the product.)								
Cooling method		Natural air circulation								
Structure		IP66F, IP67F, UL 50/50E, Type 1, Type 4X (indoor use only), Type 12, Type 13 <b>NOTE:</b> On the front panel when properly installed in an enclosure.						When using a factory-installed front USB cover: IP65F, IP67F, UL 50/50E, Type 1 When using a front USB cover with screw (PFXZCDCVUS1): IP66F, IP67F, UL 50/50E, Type 1, Type 4X (indoor use only), Type 12, Type 13 <b>NOTE:</b> On the front panel when properly installed in an enclosure and not using the front panel USB port		-
External dimensions (W x H x D)		532.6 x 330.6 x 69 mm (20.97 x 13.02 x 2.71 in)	463.6 x 293.6 x 69 mm (18.25 x 11.56 x 2.71 in)	408 x 264 x 67 mm (16.06 x 10.39 x 2.63 in)	308.5 x 230.5 x 67 mm (12.15 x 9.07 x 2.63 in)	268.5 x 198.5 x 67 mm (10.57 x 7.81 x 2.63 in)	397 x 296 x 67 mm (15.63 x 11.65 x 2.63 in)	315 x 241 x 67 mm (12.4 x 9.48 x 2.63 in)	250 x 165 x 37 mm (9.84 x 6.5 x 1.45 in)	
Panel cut dimensions (W x H) *1 *2		518.5 x 316.5 mm (20.41 x 12.46 in)	449.5 x 279.5 mm (17.7 x 11.0 in)	394 x 250 mm (15.51 x 9.84 in)	295 x 217 mm (16.14 x 8.54 in)	255 x 185 mm (10.04 x 7.28 in)	397 x 296 x 83 mm (15.63 x 11.65 x 3.27 in)	301.5 x 227.5 mm (11.87 x 8.96 in)	-	
Weight		8.2 kg (18.07 lb) or less	6.6 kg (14.55 lb) or less	5.7 kg (12.56 lb) or less	4.3 kg (9.5 lb) or less	3.7 kg (8.15 lb) or less	5.4 kg (11.90 lb) or less	4.1 kg (9.03 lb) or less	1.7 kg (3.74 lb) or less	

\*1 For dimensional tolerance, everything +1/-0 mm (+0.04/-0 in) and R in angle are below R3 (R0.12 in).

\*2 Even if the installation wall thickness is within the recommended range for the Panel Cut Dimensions, depending on

**Interfaces** NOTE: Use only the SELV (Safety Extra-Low Voltage) circuit to connect all the interfaces.

Model No.	22" Wide PFXP6*AB0NA*****	19" Wide PFXP6*GB0NA*****	15" Wide PFXP6*FB0NA*****	12" Wide PFXP6*EB0NA*****	10" Wide PFXP6*DB0NA*****	15" PFXP6*7B0NA*****	12" PFXP6*6B0NA*****	Box Only PFXP6*BB0NA*****
<b>Serial interface COM</b>								
Asynchronous transmission	RS-232C/422/485 (non-isolated) x 2 (default: RS-485)							
Data length	7 or 8 bits							
Stop bit	1 or 2 bits							
Parity	None, odd or even							
Flow control	Hardware flow control: RTS/CTS(RS-232C), ERA/EAB/CSA/CSB(RS-422HMLmode)*1 Software flow control: Xon/Xoff							
Auto direction control	Always enabled only in RS-485							
Echo cancellation	Supported only in RS-485 *1							
Data transmission speed	2,400...115,200 bps							
Connector	D-Sub 9-pin (plug)							
<b>USB (Type A) interface</b>								
Connector	USB 3.1 Gen1 (Type A) x 2							
Power supply voltage	5 Vdc ±5%							
Maximum current supplied	900 mA/port							
Maximum transmission distance	3 m (9.84 ft)							
<b>USB (Type C) interface *2</b>								
Connector	USB 3.1 Gen1 (Type C) x 1							
Power supply voltage	5 Vdc ±5%							
Maximum current supplied	1.5 A/port							
Maximum transmission distance	3 m (9.84 ft)							
Resolution	Up to 4,096 x 2,304 pixels at 60 Hz							
<b>Ethernet interface</b>								
Standard	IEEE1588, 10 BASE-T/ 100 BASE-TX/ 1000BASE-T, Wake-on-LAN (WOL) supported *3							
Connector	Modular jack (RJ-45) x 2							
<b>SD card interface</b>								
	SD card slot (storage) x 1 SDXC UHS-I supported							
<b>DisplayPort</b>								
Version	V 1.2, dual mode (DP++) supported							
Resolution	Up to 4,096 x 2,304 pixels at 60 Hz							
<b>Front USB (for display module: 12-inch / 15-inch)</b>								
Connector	-				USB 2.0 (Type A) x 1		-	
Power supply voltage	-				5 Vdc ±5%		-	
Maximum current supplied	-				500 mA		-	
Maximum transmission distance	-				5 m (16.4 ft)		-	

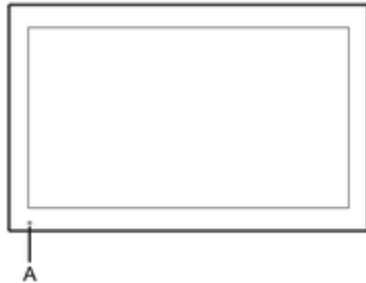
\*1 Echo cancellation of the serial interfaces on Box Module is set not to receive the echo(Enabled) as default. For the setting refer to the Manual.

\*2 The USB (Type C) interface supports alternate mode (DisplayPort)

\*3 When the status is S4 (hybrid shutdown), Wake-on-LAN is unavailable.

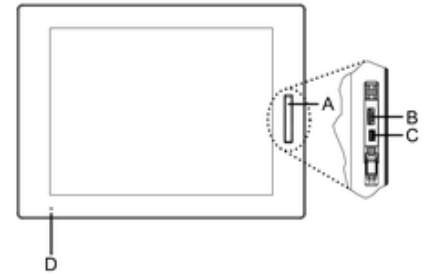
■ Display Module

10-inch Wide, 12-inch Wide, 15-inch Wide, 19-inch Wide, 22-inch Wide



A. Status LED

12-inch and 15-inch



A. Front USB cover  
B. USB 2.0 (Type A) \*1  
C. USB 2.0 (micro-B) (this interface is unavailable.)  
D. Status LED

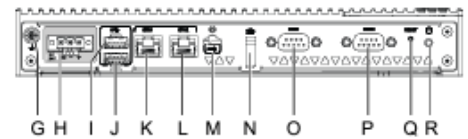
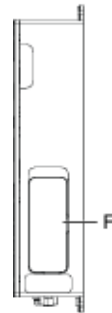
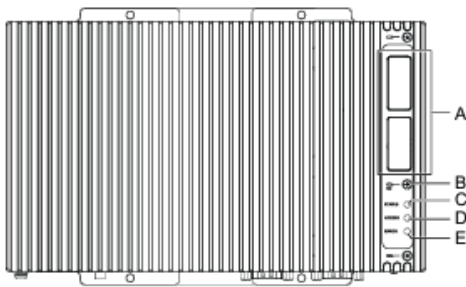
\*1 By default, the front USB is disabled. To enable, set in the [Launcher](#).

■ Box Module

Front

Right

Bottom



A. Optional module interface  
B. SD slots crew  
C. Status LED  
D. Storage access LED  
E. Error LED  
F. SD slot cover  
G. FG terminal  
H. DC power connector  
I. USB 3.1 Gen1(Type A)

J. USB 3.1 Gen1(Type A)  
K. Ethernet interface(ETH1)  
L. Ethernet interface(ETH2)  
M. USB3.1Gen1(TypeC)  
N. DisplayPort  
O. Serial interface(RS-232C/422/485,nonisolated)(COM1) \*1  
P. Serial interface(RS-232C/422/485,nonisolated)(COM2) \*1  
Q. Reset button  
R. Power button \*2

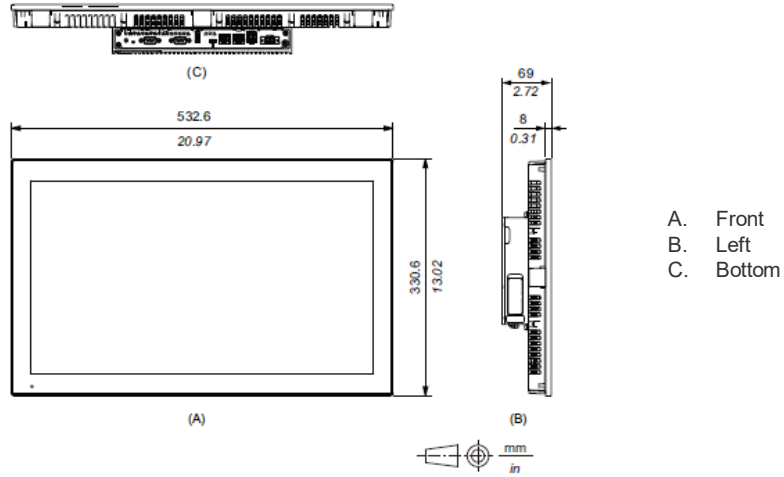
\*1 For the settings of the serial ports on Box Module, refer to Manual

\*2 The power button in WindowsPower Options is set to Shut down by default.  
The following options are available for the power button. Select an option suitable for your usage environment.

- Do nothing
- Sleep
- Hibernate
- Shut down (default)
- Turn off the display

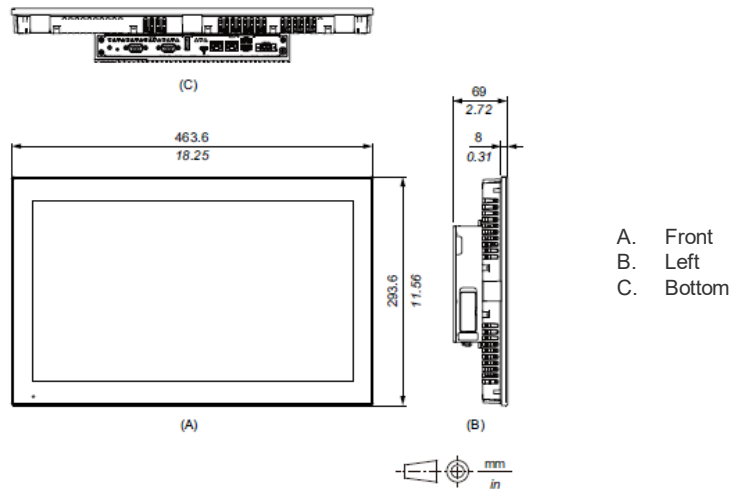
■ 22-inch Wide Basic Model

External Dimensions



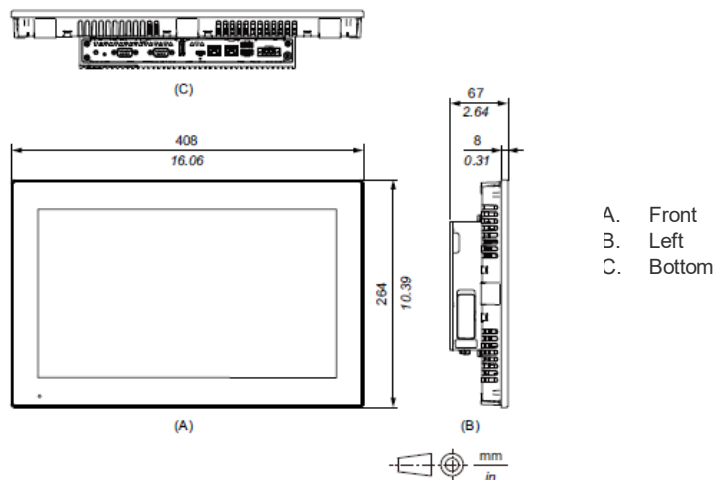
■ 19-inch Wide Basic Model

External Dimensions



■ 15-inch Wide Basic Model

External Dimensions

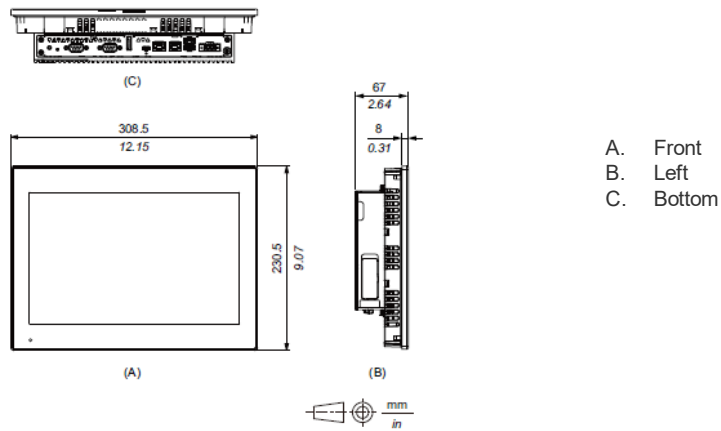


# Basic Model

## P S 6 0 0 0 Series

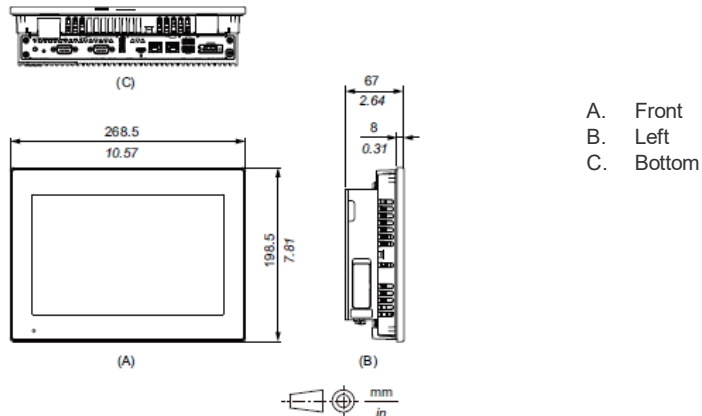
### 12-inch Wide Advanced Model

#### External Dimensions



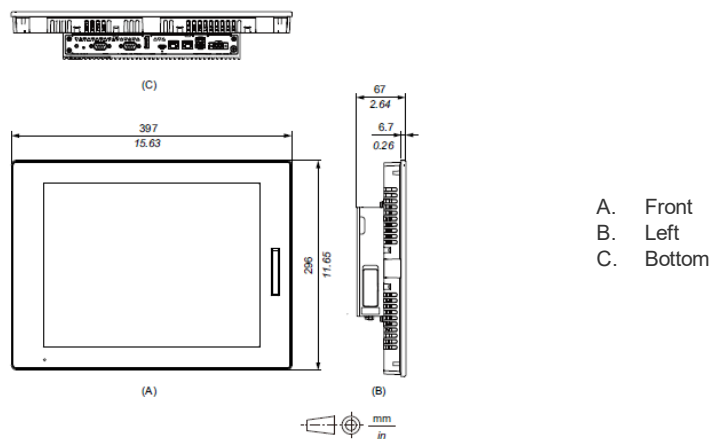
### 10-inch Wide Basic Model

#### External Dimensions



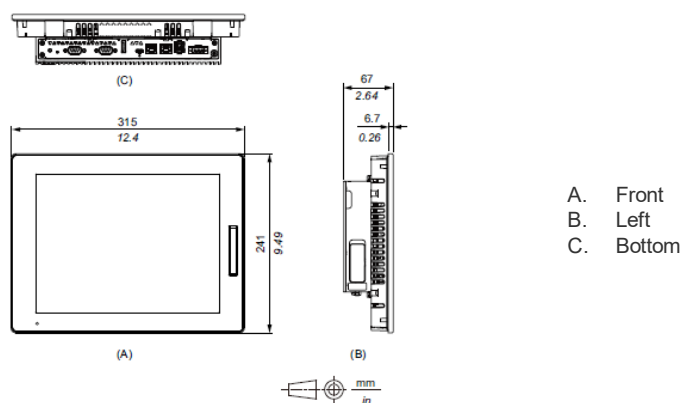
### 15-inch Basic Model

#### External Dimensions



### 12-inch Basic Model

#### External Dimensions



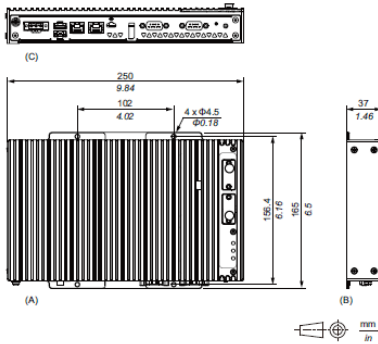
# Basic Model

## PS6000 Series

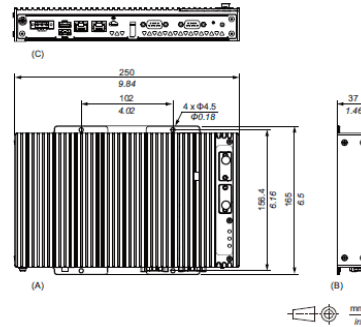
### Panel Type Installation

#### Basic Box

##### External Dimensions



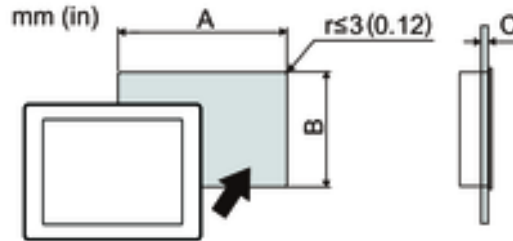
- A. Front
- B. Left
- C. Bottom



- A. Front
- B. Left
- C. Bottom

#### Panel Cut Dimensions

Based on the panel cut dimensions, open a mount hole on the panel.



Model Name		
A	B	C
<b>12-inch</b>		
301.5 mm (+1/-0 mm) (11.87 in [+0.04/-0 in])	227.5 mm (+1/-0 mm) (8.96 in [+0.04/-0 in])	1.6...5 mm (0.06...0.2 in)
<b>15-inch</b>		
383.5 mm (+1/-0 mm) (15.1 in [+0.04/-0 in])	282.5 mm (+1/-0 mm) (11.12 in [+0.04/-0 in])	1.6...5 mm (0.06...0.2 in)
<b>10-inch Wide</b>		
255 mm (+1/-0 mm) (10.04 in [+0.04/-0 in])	185 mm (+1/-0 mm) (7.28 in [+0.04/-0 in])	1.6...5 mm (0.06...0.2 in)
<b>12-inch Wide</b>		
295 mm (+1/-0 mm) (11.61 in [+0.04/-0 in])	217 mm (+1/-0 mm) (8.54 in [+0.04/-0 in])	1.6...5 mm (0.06...0.2 in)
<b>15-inch Wide</b>		
394 mm (+1/-0 mm) (15.51 in [+0.04/-0 in])	250 mm (+1/-0 mm) (9.84 in [+0.04/-0 in])	1.6...5 mm (0.06...0.2 in)
<b>19-inch Wide</b>		
449.5 mm (+1/-0 mm) (17.7 in [+0.04/-0 in])	279.5 mm (+1/-0 mm) (11.0 in [+0.04/-0 in])	1.6...5 mm (0.06...0.2 in)
<b>22-inch Wide</b>		
518.5 mm (+1/-0 mm) (20.41 in [+0.04/-0 in])	316.5 mm (+1/-0 mm) (12.46 in [+0.04/-0 in])	1.6...5 mm (0.06...0.2 in)