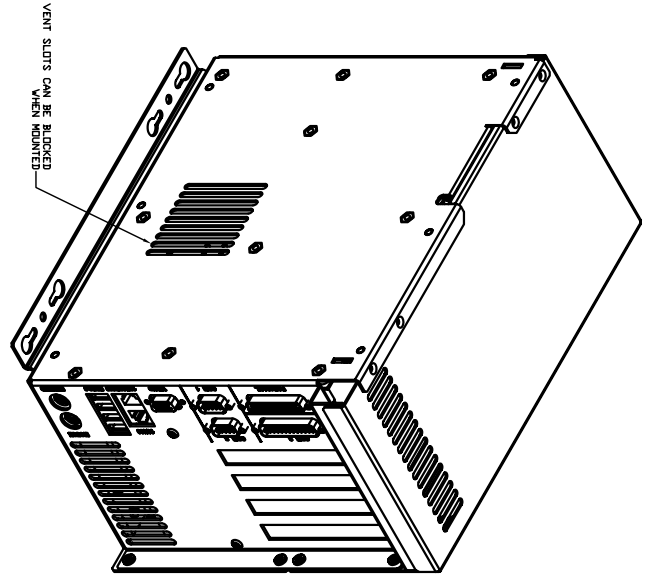
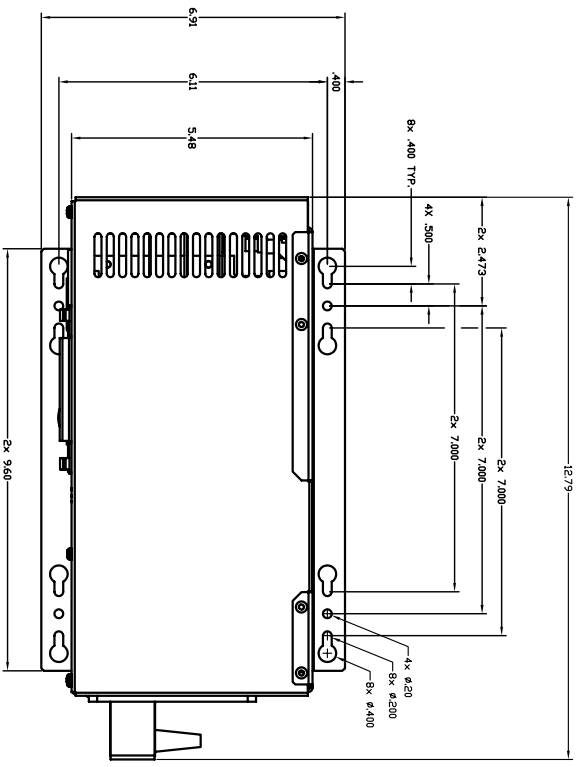
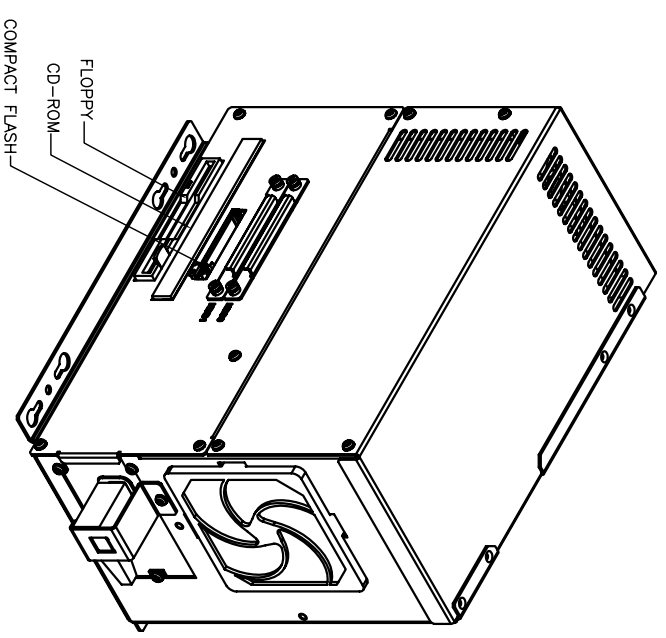
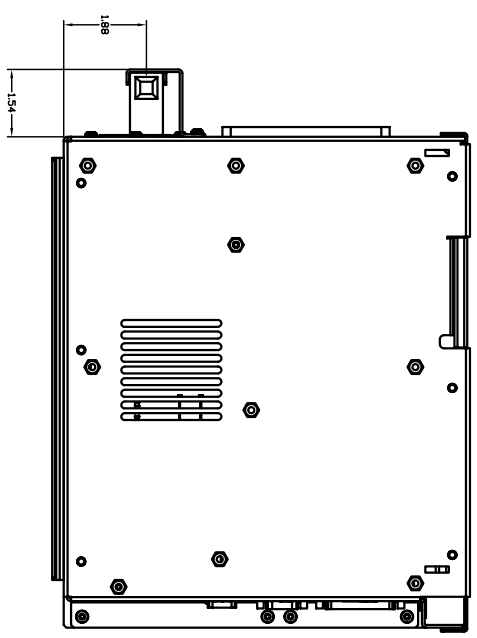
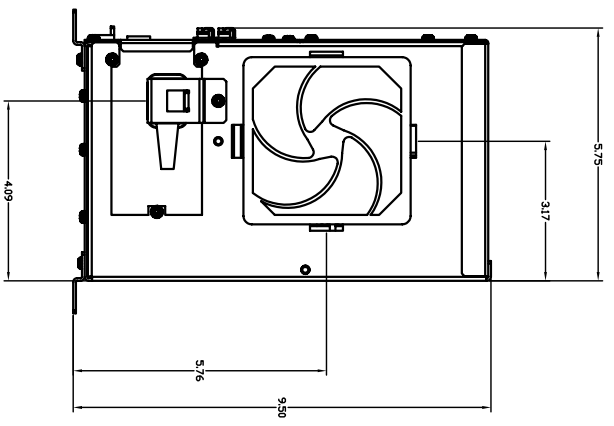
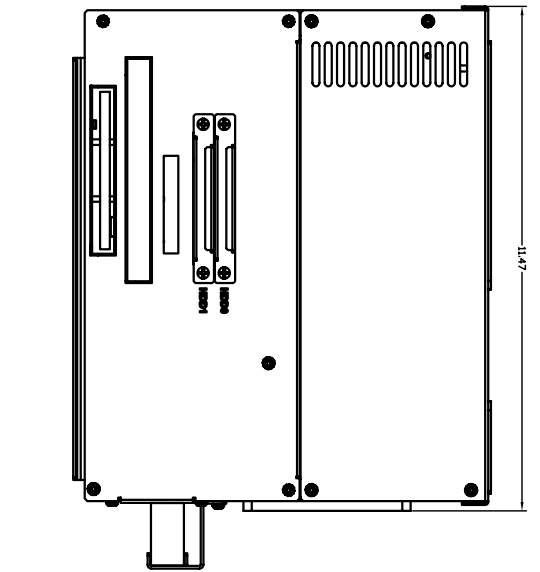
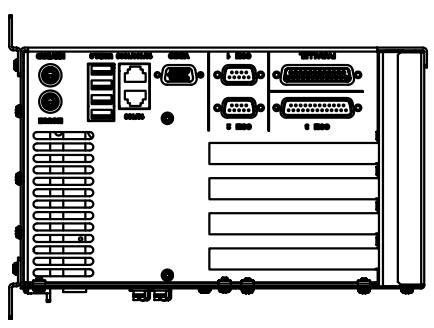


SHELF MOUNTING

Dwg. Part		Revision Block		DR.	DATE	CK.	DATE
ISSUE	REV.	EGD. NO.	DESCRIPTION	E.I.R.	Release		
1	A		FOR REFERENCE ONLY				



VENT SLOTS CAN BE BLOCKED WHEN MOUNTED



FOR REFERENCE ONLY

INTERNAL USE ONLY	SPEC.	SCH.	FIRST USED IN MODEL	ASSOCIATED DRAWINGS	TITLE	SCALE	DWG. NO.
				TOLERANCES UNLESS OTHERWISE SPECIFIED: DIMENSIONS IN INCHES FRACTIONS DECIMALS .005 .010 .015 .020 .030 .040 .050 .060 .070 .080 .090 .100 .125 .150 .175 .200 .250 .300 .375 .500 .625 .750 .875 1.000 1.250 1.500 2.000 2.500 3.000 4.000 5.000 6.000 8.000 10.000 HOLE DIA. .005 .010 .015 .020 .030 .040 .050 .060 .070 .080 .090 .100 .125 .150 .175 .200 .250 .300 .375 .500 .625 .750 .875 1.000 1.250 1.500 2.000 2.500 3.000 4.000 5.000 6.000 8.000 10.000 TYPICAL DIMENSIONS FROM MTCOM	TOLERANCES UNLESS OTHERWISE SPECIFIED: DIMENSIONS IN MILLIMETERS FRACTIONS DECIMALS .05 .075 .1 .125 .15 .175 .2 .25 .3 .375 .5 .625 .75 .875 1.0 1.25 1.5 2.0 2.5 3.0 4.0 5.0 6.0 8.0 10.0 HOLE DIA. .05 .075 .1 .125 .15 .175 .2 .25 .3 .375 .5 .625 .75 .875 1.0 1.25 1.5 2.0 2.5 3.0 4.0 5.0 6.0 8.0 10.0 TYPICAL DIMENSIONS FROM MTCOM	GENERAL LAYOUT 1546	FULL 144615
DR. EROTTMAN	NE	EE	02/04	WFS	MTCOM 750 N. MAPLE RD. SALINE, MI. 48178		
					SIGNATURES		
					REVISION A		

