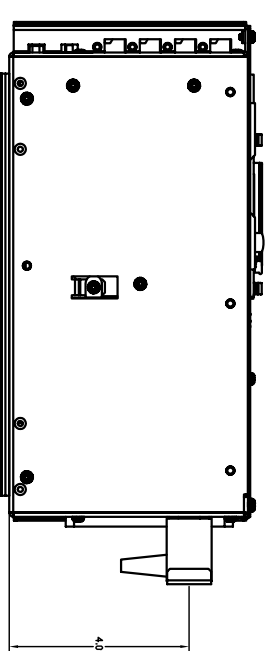
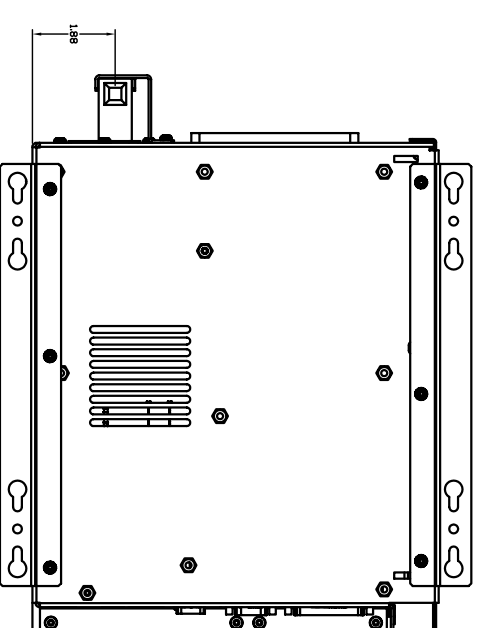
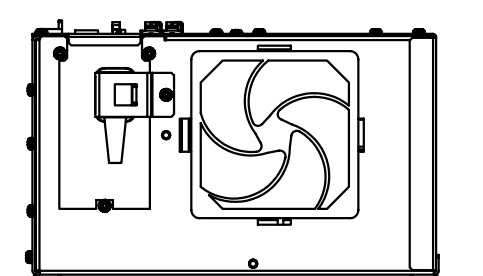
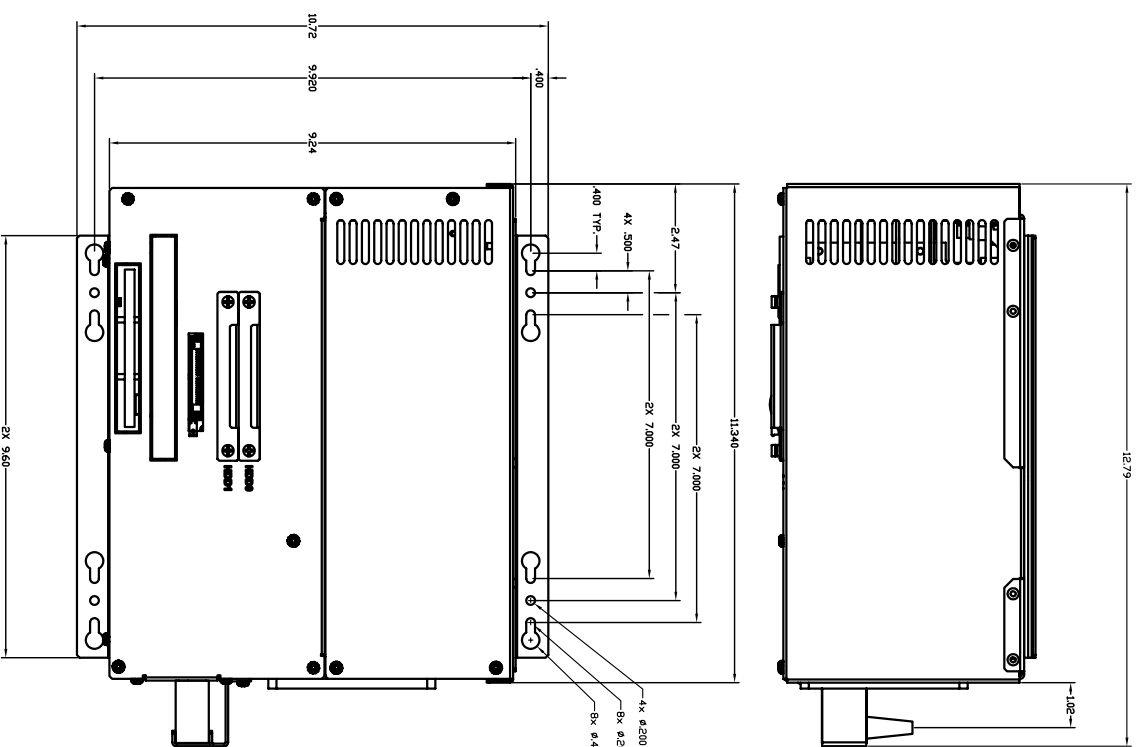
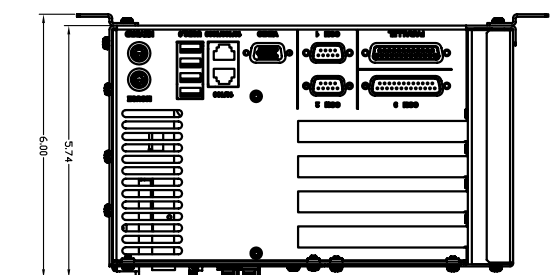
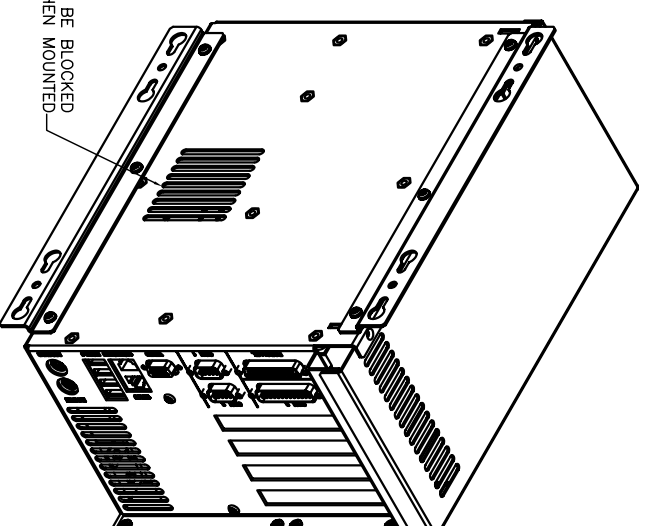
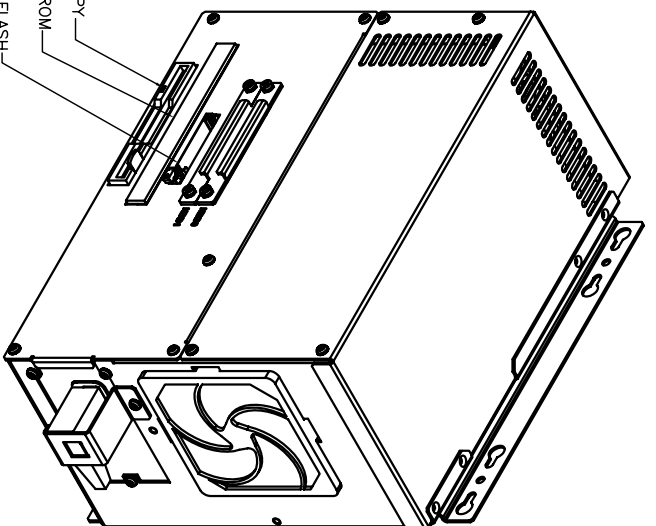


DWG. PART		REVISION BLOCK		DR.	DATE	CK.	DATE
ISSUE	REV.	ECO. NO.	DESCRIPTION	E.I.	DATE	CK.	DATE
1	A		SEE SHEET 1	E.I.	12/28/06		

WALL MOUNTING



FOR REFERENCE ONLY

TOLERANCES		TITLE		SCALE		DWG. NO.	
DIMENSIONS	FINISH	GENERAL	SPECIAL	FULL	REDUCED	1546	144615
±0.13	AS SHOWN	GENERAL	SPECIAL	FULL	REDUCED	1546	144615
±0.25	AS SHOWN	GENERAL	SPECIAL	FULL	REDUCED	1546	144615
±0.50	AS SHOWN	GENERAL	SPECIAL	FULL	REDUCED	1546	144615
±1.00	AS SHOWN	GENERAL	SPECIAL	FULL	REDUCED	1546	144615
±2.00	AS SHOWN	GENERAL	SPECIAL	FULL	REDUCED	1546	144615
±3.00	AS SHOWN	GENERAL	SPECIAL	FULL	REDUCED	1546	144615
±4.00	AS SHOWN	GENERAL	SPECIAL	FULL	REDUCED	1546	144615
±5.00	AS SHOWN	GENERAL	SPECIAL	FULL	REDUCED	1546	144615
±6.00	AS SHOWN	GENERAL	SPECIAL	FULL	REDUCED	1546	144615
±7.00	AS SHOWN	GENERAL	SPECIAL	FULL	REDUCED	1546	144615
±8.00	AS SHOWN	GENERAL	SPECIAL	FULL	REDUCED	1546	144615
±9.00	AS SHOWN	GENERAL	SPECIAL	FULL	REDUCED	1546	144615
±10.00	AS SHOWN	GENERAL	SPECIAL	FULL	REDUCED	1546	144615



A B C D

A B C D

8 7 6 5 4 3 2 1

8 7 6 5 4 3 2 1