



## OPERATOR INTERFACE PRODUCTS APPLICATION NOTE

Subject: 2000 and 3000 Softscreen into Channel One DH485 on AB SLC500 AN# 1004B

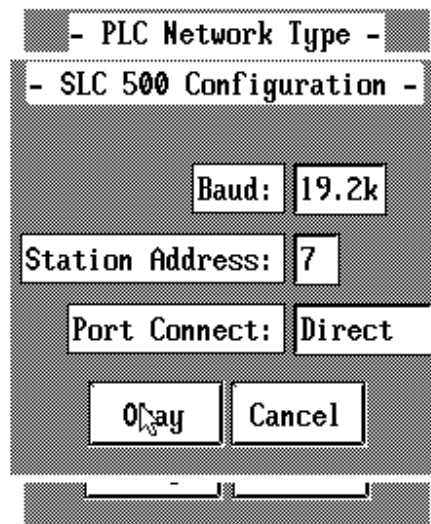
Date: 7/16/96

Name: Christopher J. Biernacki

Page: 1 of 7

Description: Proper settings for communications

These are the settings for the 2000 Softscreen Port Configuration and the Channel One DH485 Configuration that will allow Softscreen to "talk" to a SLC500 via Channel One DH485. These may not be the only settings that will allow communications, but these settings have been verified to facilitate communications:



**Softscreen settings to allow 2000 Softscreen to connect to  
Channel 1 DH485 on a SLC500 PLC**



# OPERATOR INTERFACE PRODUCTS APPLICATION NOTE

Subject: 2000 and 3000 Softscreen into Channel One DH485 on AB SLC500 AN# 1004B

Date: 7/16/96

Name: Christopher J. Biernacki

Page: 2 of 7

Description: Proper settings for communications

- PLC Configuration -

Name	Type	Address
PLC0	500	1
PLC1	500	0
PLC2	500	0
PLC3	500	0
PLC4	500	0
PLC5	500	0
PLC6	500	0
PLC7	500	0
PLC8	500	0

**Softscreen settings to allow 2000 Softscreen to connect to  
Channel 1 DH485 on a SLC500 PLC**



# OPERATOR INTERFACE PRODUCTS APPLICATION NOTE

Subject: 2000 and 3000 Softscreen into Channel One DH485 on AB SLC500 AN# 1004B

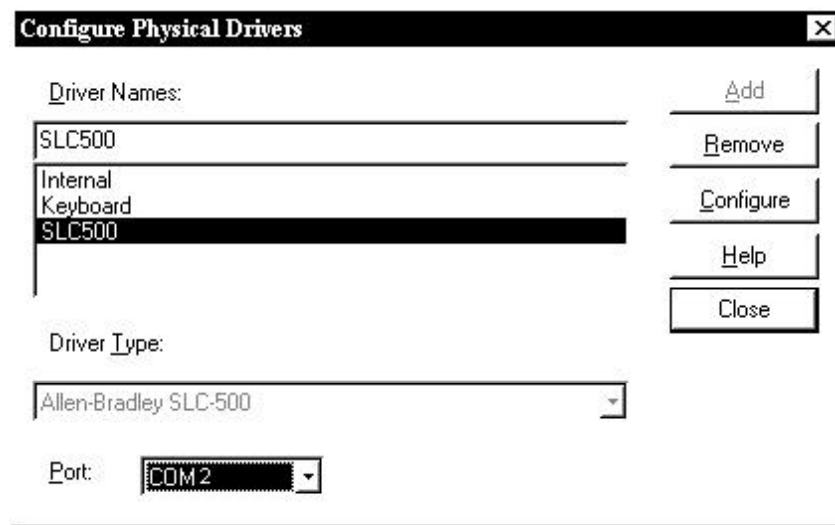
Date: 7/16/96

Name: Christopher J. Biernacki

Page: 3 of 7

Description: Proper settings for communications

These are the settings for the 3000 Softscreen Port Configuration and the Channel One DH485 Configuration that will allow Softscreen to "talk" to a SLC500 via Channel One DH485. These may not be the only settings that will allow communications, but these settings have been verified to facilitate communications:



**Softscreen settings to allow 3000 Softscreen to connect to  
Channel 1 DH485 on a SLC500 PLC**



# OPERATOR INTERFACE PRODUCTS APPLICATION NOTE

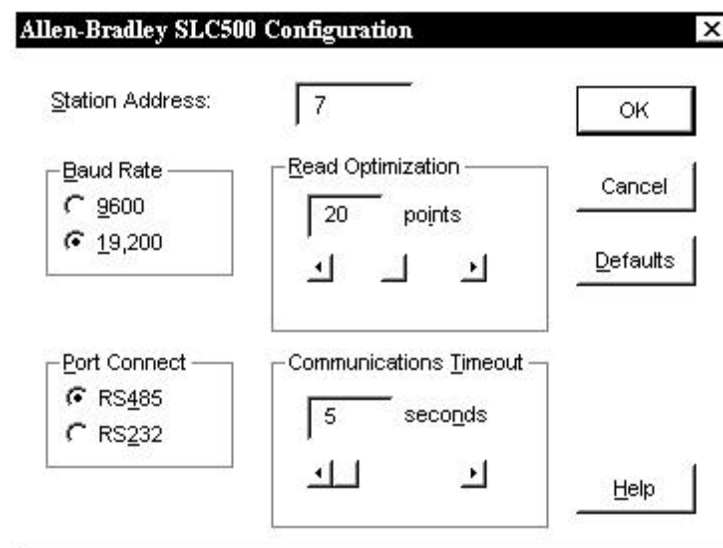
Subject: 2000 and 3000 Softscreen into Channel One DH485 on AB SLC500 AN# 1004B

Date: 7/16/96

Name: Christopher J. Biernacki

Page: 4 of 7

Description: Proper settings for communications



**Softscreen settings to allow 3000 Softscreen to connect to  
Channel 1 DH485 on a SLC500 PLC**



# OPERATOR INTERFACE PRODUCTS APPLICATION NOTE

Subject: 2000 and 3000 Softscreen into Channel One DH485 on AB SLC500 AN# 1004B

Date: 7/16/96

Name: Christopher J. Biernacki

Page: 5 of 7

Description: Proper settings for communications

Data Editor: slc500 ( Allen-Bradley SLC-500::SLC500 )

Tag Name: (Untitled) Help

Destination Station Address: 1

Data Address: N7:0

Point Scan Rate: ASAP

SLC Type: SLC 5/03

String Access

String Length: 4

Terminator: 0

Name

Add

Remove

Move Up

Move Down

**Softscreen settings to allow 3000 Softscreen to connect to  
Channel 1 DH485 on a SLC500 PLC**



## OPERATOR INTERFACE PRODUCTS APPLICATION NOTE

Subject: 2000 and 3000 Softscreen into Channel One DH485 on AB SLC500 AN# 1004B

Date: 7/16/96

Name: Christopher J. Biernacki

Page: 6 of 7

Description: Proper settings for communications

```
===== CHANNEL CONFIGURATION =====  
CHANNEL 0 CONFIGURATION  
    Current Communication Mode: SYSTEM  
        System Mode Driver: DF1 FULL-DUPLEX  
            User Mode Driver: Reserved  
                Write Protect: DISABLED  
                    Mode Changes: Reserved  
Mode Attention Character: Reserved  
System Mode Character: Reserved  
User Mode Character: Reserved  
Edit Resource/File Owner Timeout: 60 (seconds)  
  
CHANNEL 1 CONFIGURATION  
    System Mode Driver: DH-485 MASTER  
        Write Protect: DISABLED  
Edit Resource/File Owner Timeout: 60 (seconds)
```

**Allen Bradley APS v5.11 settings to allow 2000 Softscreen to  
connect to Channel 1 on a SLC500 PLC**



## OPERATOR INTERFACE PRODUCTS APPLICATION NOTE

Subject: 2000 and 3000 Softscreen into Channel One DH485 on AB SLC500 AN# 1004B

Date: 7/16/96

Name: Christopher J. Biernacki

Page: 7 of 7

Description: Proper settings for communications

### CHANNEL 1 SYSTEM MODE CONFIGURATION

Communication Driver:	DH-485
Diagnostic File:	Reserved
Baud Rate:	19200
Node Address:	1
Max Node Address:	31
Token Hold Factor (1-4):	1

**Allen Bradley APS v5.11 settings to allow 2000 Softscreen to  
connect to Channel 1 on a SLC500 PLC**

**Cable: Xycom 2000-CBL/CB30  
Primary Port on 2000 jumpered for RS485  
Firmware chip: 2000 SS-30  
RS485 Port on 3000**