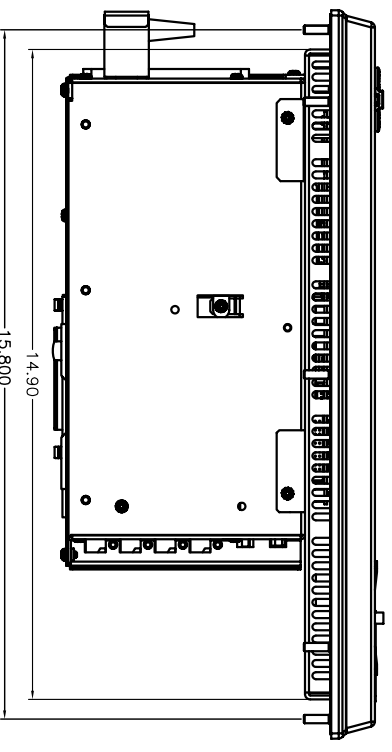
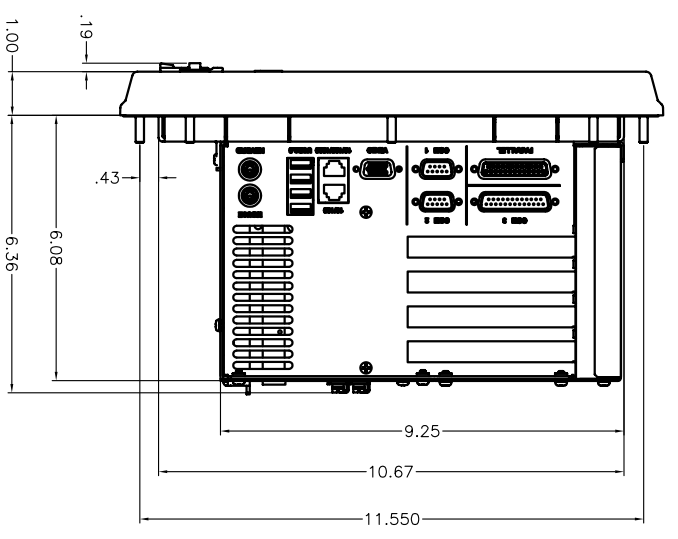
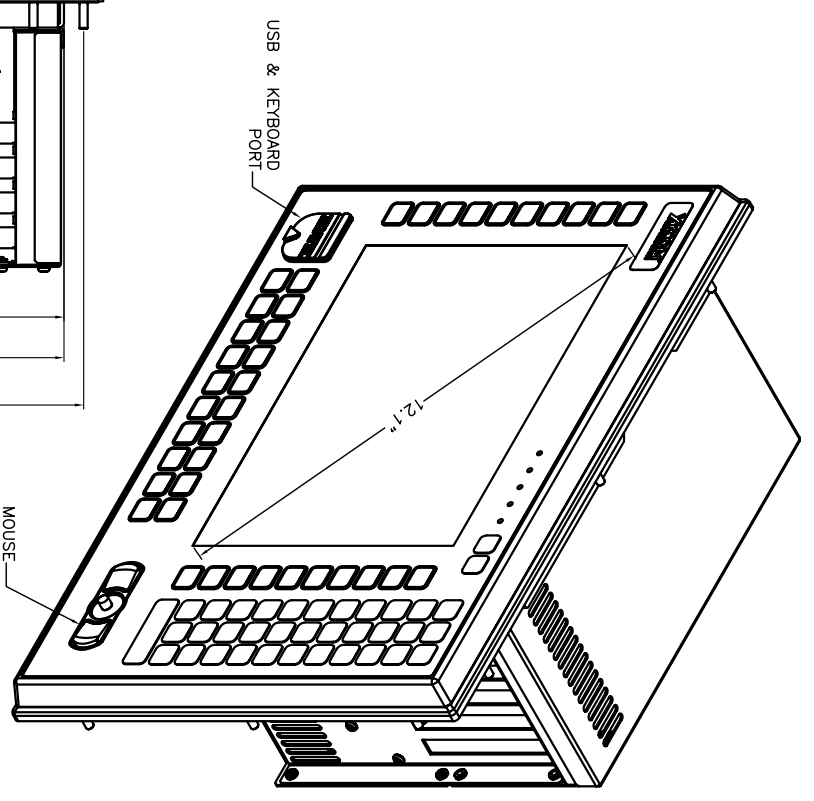
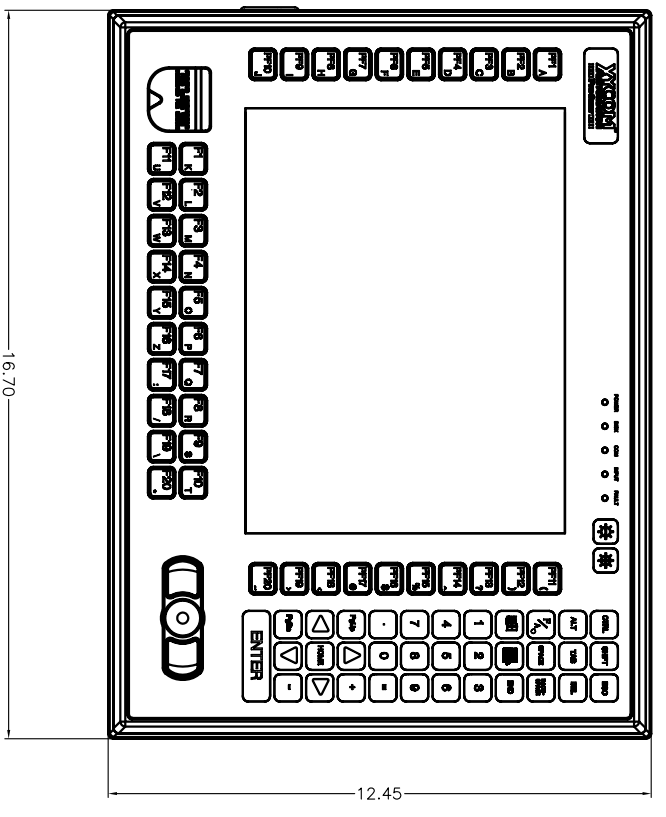
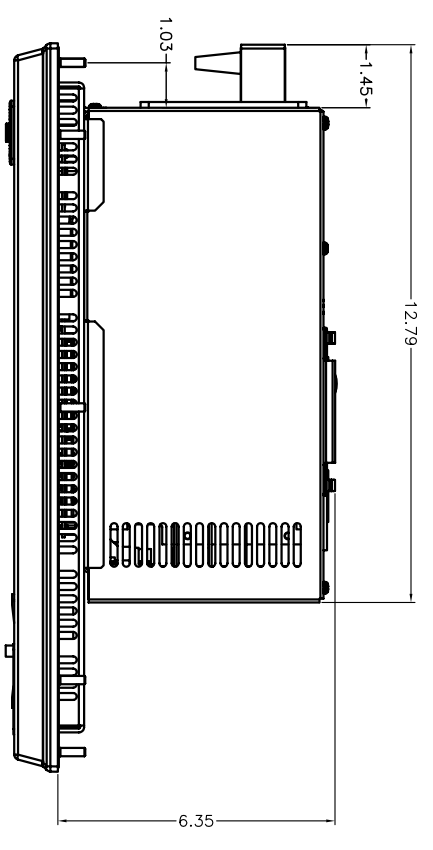
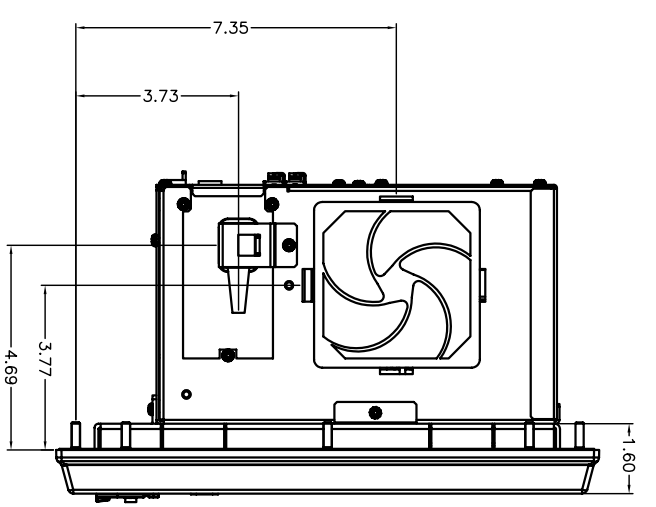
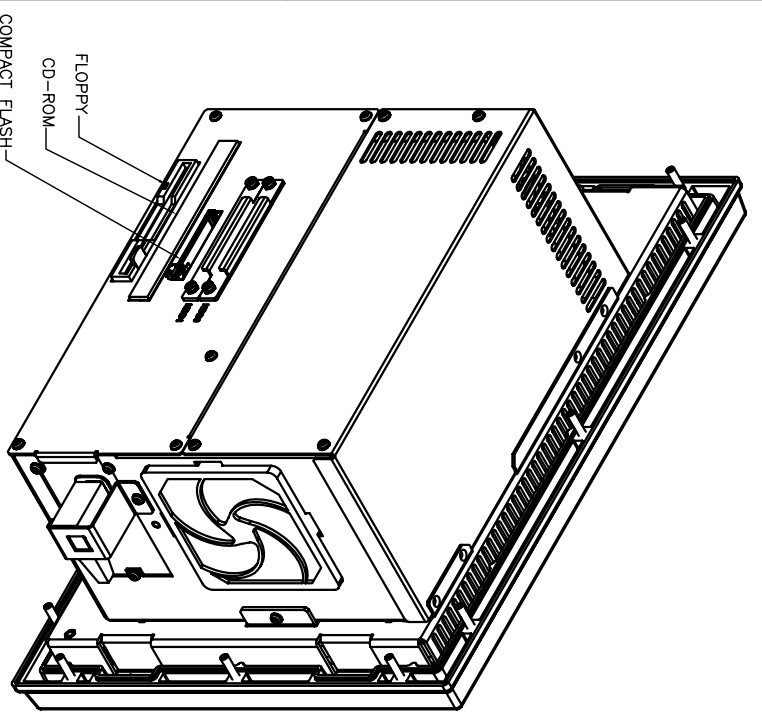


DWG. PART		REVISION BLOCK		DR. DATE	CK. DATE
ISSUE	REV.	ECD. NO.	DESCRIPTION	E.R.	2/2/04
1	A				



FOR REFERENCE ONLY



SPEC.		FIRST USED		ASSOCIATED DRAWINGS		TITLE		SIGNATURES	
DR.	CR.	DR.	CR.	NO.	REV.	NO.	REV.	DATE	BY
TITLE RANGES TITLES AND SHEET NO. SPECIFIED IN THE DRAWING SHALL BE USED FOR ALL WORK.				SCALE FULL 1"=1"		DATE 1/14/04		SCALE FULL 1"=1"	
GENERAL LAYOUT 4612KPM(T)				DATE 1/14/04		SCALE FULL 1"=1"		DATE 1/14/04	

