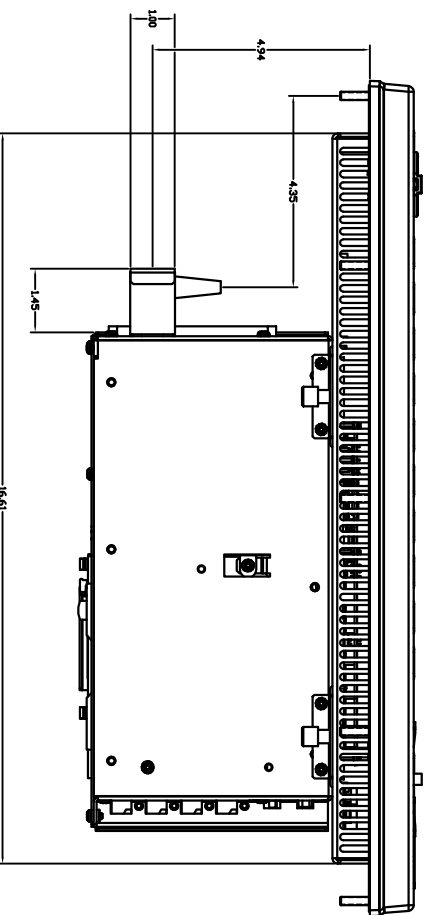
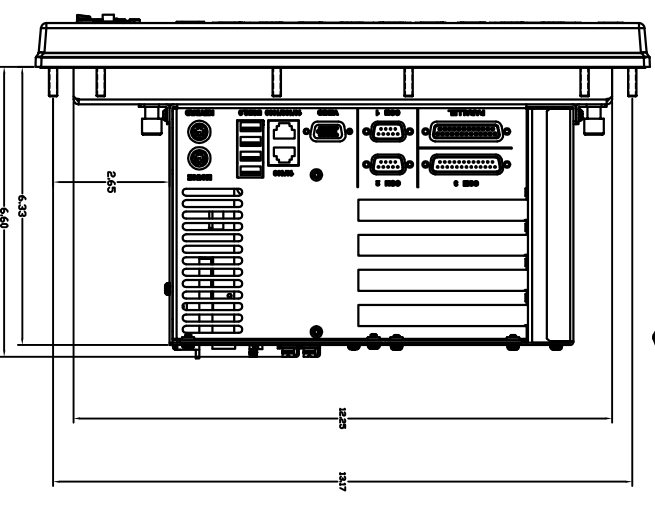
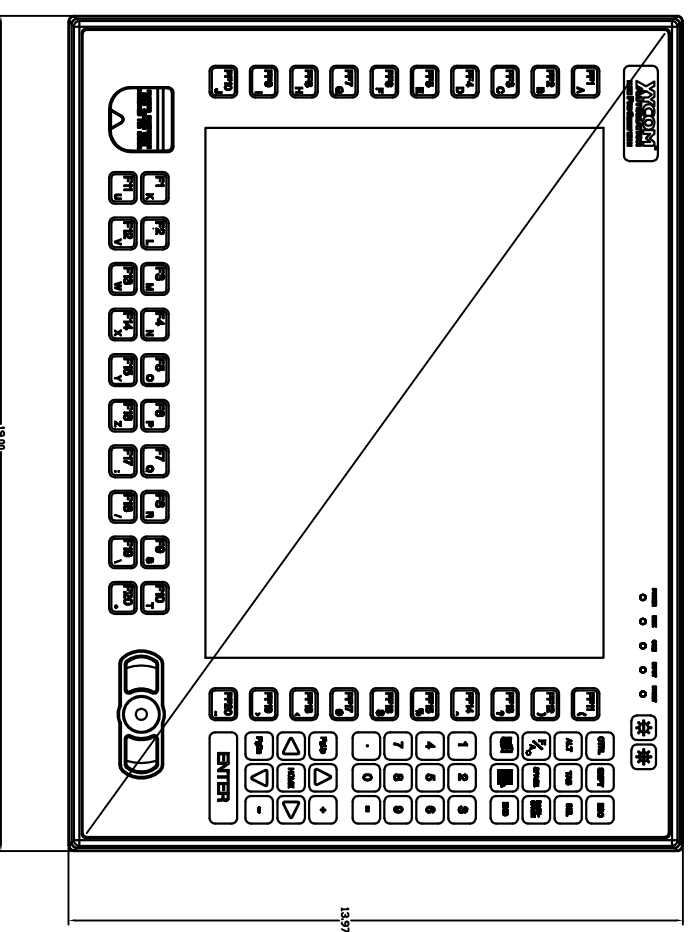
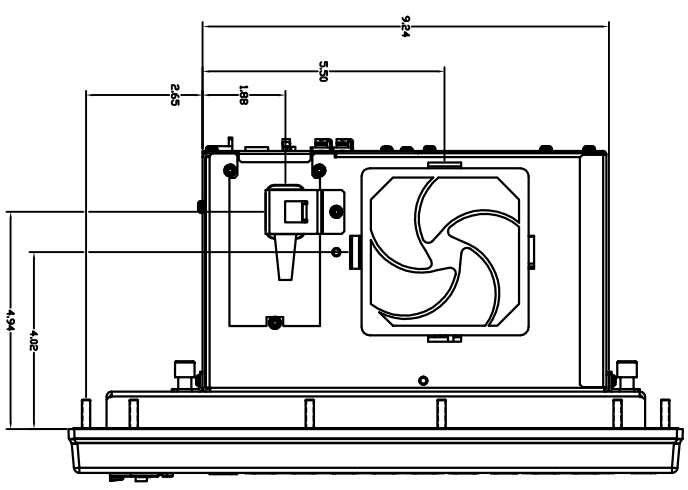
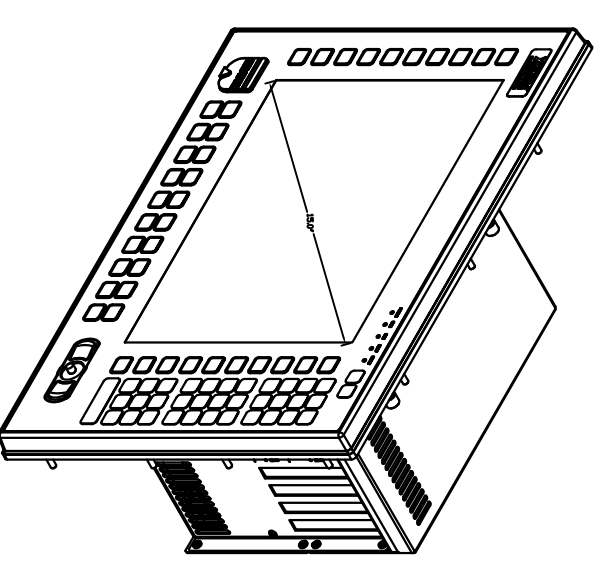
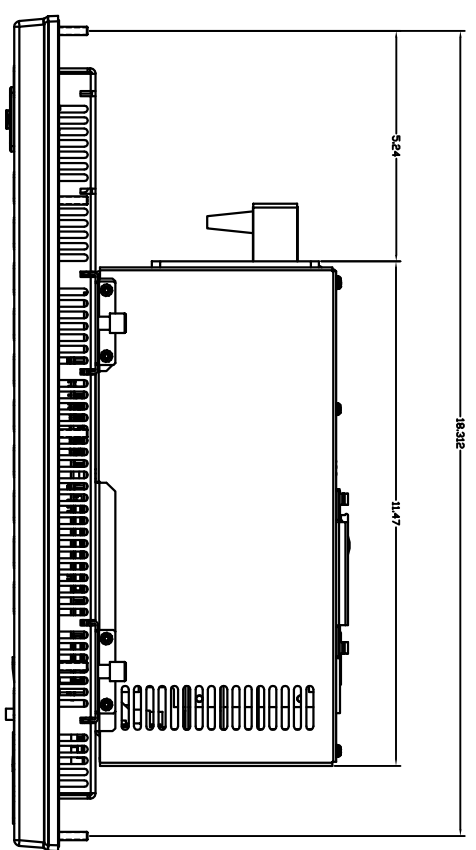
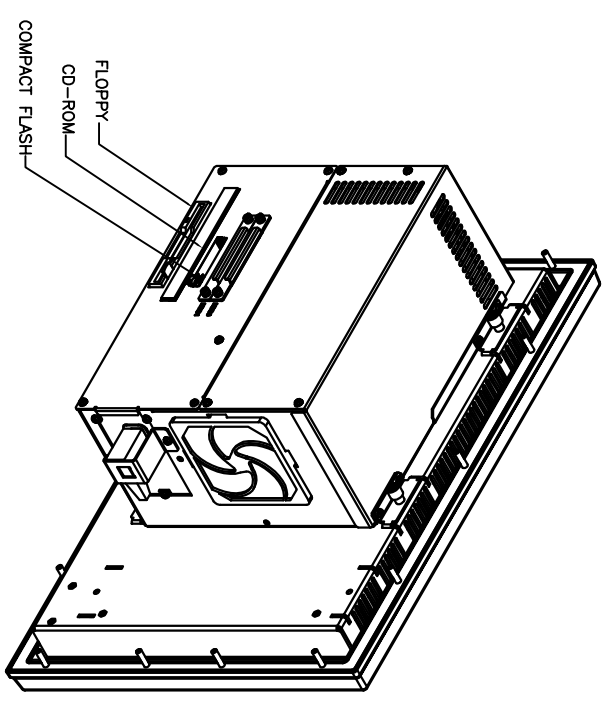


REV. PART		REVISION BLOCK		DIR	DATE	CK	DATE
ISSUE	REV.	ECO NO.	DESCRIPTION	E. R.	DATE	CK	DATE
1	A						



FOR REFERENCE ONLY

INTERNAL REV. DATE	SPEC	SCH	FIRST USED	EN MODEL	ASSOCIATED DRAWINGS	TITLE	SCALE	FIG. NO.
						GENERAL LAYOUT	FULL	144634

8 7 6 5 4 3 2 1

A B C D