

9487 Sharp TFT Flat-Panel Display Bulb Replacement Instruction Sheet

Note

We recommend that you send the flat-panel display to Xycom for bulb replacement. However, if you would like to replace the bulbs on site, refer to the following instructions.

Perform the following steps to replace the bulbs in the Sharp TFT color flat-panel display (model # LQ10D421):

1. Turn off the power source.
2. Remove the slide-out computer module (refer to Chapter 3 of the 9485/9487 manual).
3. Disconnect the flexible data cable and remove it from the cable clips.
4. Unplug the two bulb connectors.
5. Using a nut driver, remove the four nuts on the outside edge of the display cover.
6. Gently pull up the cover plate, and move it out of the way.
7. Pull the four spacers off the flat-panel display mounting studs.
8. Lift the flat-panel display out of the unit.
9. Locate the bulb assembly on the left, outside edge of the flat-panel display.
10. Insert a flat-bladed screwdriver in the opening at the end of the bulb assembly, as shown in Figure 1, and push up until you hear a click.

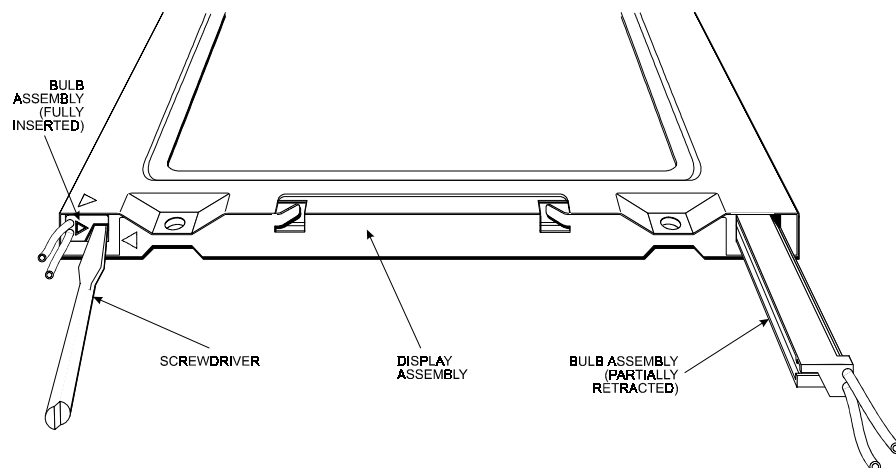


Figure 1. Bulb Assembly

11. Slide out the bulb assembly.
12. Slide the new assembly into the opening from which the old assembly was removed.

Note

Xycom recommends replacing both bulbs at the same time.

13. Repeat steps 10 through 12 to replace the bulb assembly on the right, outside edge of the flat-panel display.
14. Reverse steps 1 through 8 to reassemble the unit.