

5.7" AGP3300H Series Hand-held Operator Interface



Features:

- Tethered HMIs with full graphic touch screen
- Built-in Safety Features: Emergency Stop, 3-Position Enable Switch, and Key Switch
- Ideal for use with portable machine diagnostic or maintenance carts
- Applications include conveyor systems, stand-alone machines w/o xed HMI, overhead crane control and warehouse inventory control
- Supports dual protocols, with the industry's best serial and Ethernet protocol selection
- Extensive multi-language character support
- Compatible with GP-Pro EX V2.20 and newer development software
- Connect directly to PLC or use easy disconnect access points

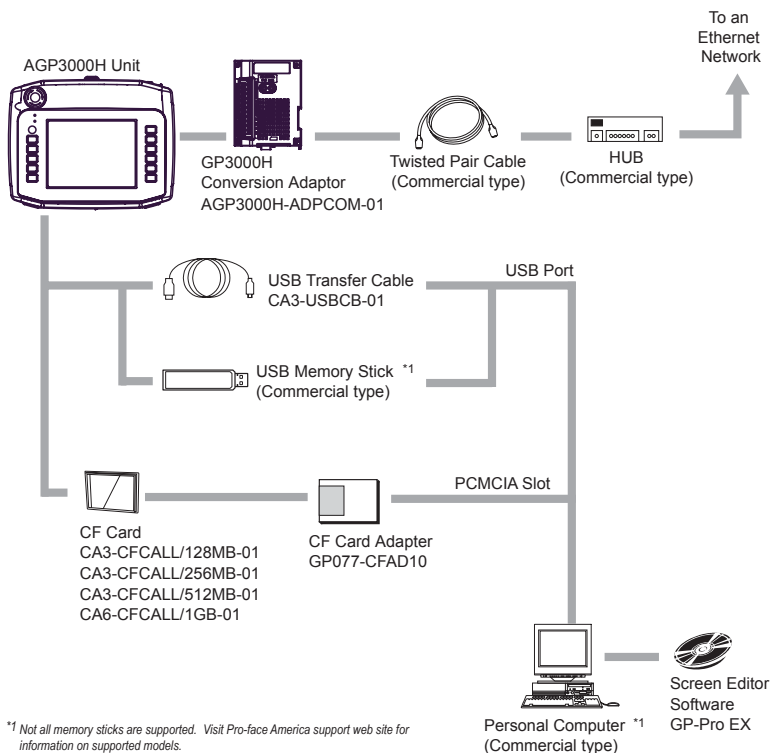
Specifications

Model	AGP3300H-L1-D24-*.*	AGP3300H-S1-D24-*.*	AGP3310H-T1-D24-*.*	
Display	Type	Monochrome LCD	STN Color LCD	TFT Color LCD
	Colors	16 Shades	4,096 Colors	65K colors
	Backlight	White LED (service life: 50,000 hrs. at 25°C and 24hr. operation)		
	Resolution	320 x 240 pixels (QVGA)		640 x 480 pixels (VGA)
	Brightness Control	16 levels of adjustment available via touch panel		
	Touch Panel	Resistive 1m analog 1024 x 1024 resolution		
Memory	Function Keys	11 Keys		
	Application	6 MB FEPROM		8 MB FEPROM
Interfaces	Data Backup	320KB SRAM (with lithium backup battery)		
	Serial Interface (COM1)	RS232/422/485 (Open leads or 9pin DSub on AGP3000H-ADPCOM-01)		
	Ethernet Interface	10Base-T / 100Base-TX (Open leads or RJ45 on AGP3000H-ADPCOM-01)		
	USB	1 port USB 1.1 (Host), Type A		
	CF Card	1x CompactFlash® Card Slot (Type-II)		
	Emergency Switch	Push Lock Switch, 1 a-contact, 2 b-contacts *, (available in Red, Yellow & Gray)		
	Enable Switch	3 position, 2 b-contacts *		
	Emergency Stop Switch	Push Lock Switch, 1 a-contact, 2 b-contacts *, (available in Red, Yellow & Gray)		
Enable Key Switch	1 c-contact (order -KEY option)			
* see manual for applicable standards				

General Specifications

Models	AGP3310H-T1-D24, AGP3300H-S1-D24, AGP3300H-L1-D24, AGP3310H-T1-D24-RED, AGP3300H-S1-D24-RED, AGP3300H-L1-D24-RED, AGP3310H-T1-D24-***-KEY, AGP3300H-S1-D24-***-KEY, AGP3300H-L1-D24-***-KEY (Available with Red, Yellow or Gray E-Stop Switch and optional Enable Key)	
Electrical	Input Voltage	24V DC
	Rated Voltage	19.2V DC to 28.8V DC
	Power Consumption	16.7 W (max.)
Physical	Ambient Operating Temp.	0°C (32°F) to 40°C (104°F)
	Storage Temperature	-20°C (-4°F) to 60°C (140°F)
	Humidity	10 to 90%RH (wet bulb temperature: 39°C (102°F) max. - no-condensation)
	Altitude Operation	800hPa to 1114hPa (2000 meters above sea-level max.)
	Vibration Resistance	IEC61131-2 compliant. 5Hz to 9Hz single amplitude 3.5mm, 9Hz to 150Hz xed acceleration 9.8m/s², X,Y, Z directions for 10 cycle (100min.)
	Drop Resistance	IEC61131-2 compliant. 1.0 meter drop - 2 times
Mechanical	Rating	Equivalent to IP65
	Certifications	UL508, CSA-C22.2 No. 142-M1987, CE: EN55011 Class A, EN61000-6-2
	Weight	1,050g [2.3 lb.] max. (AGP with a Key Switch, unit only)
	External Dimensions	W 224mm [8.82 in.] X H 174mm [6.85 in.] X D 87.1mm [3.43 in.] (not including Emergency Switch)
Warranty	2-Year Standard	

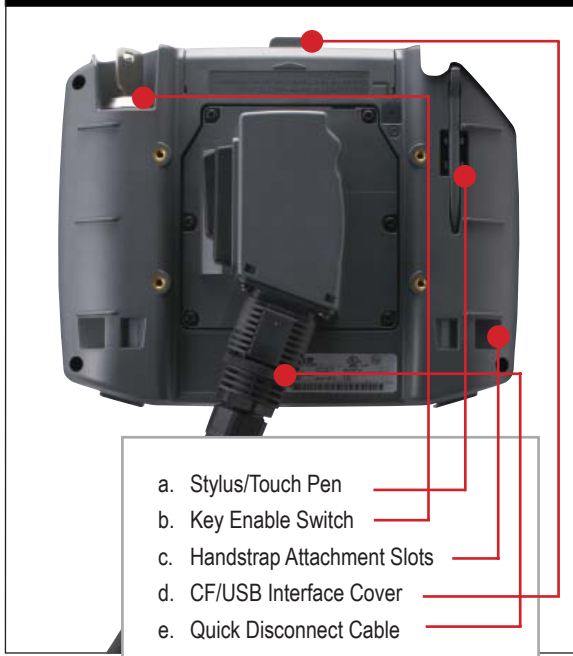
AGP33x0H with Breakout Adapter Configuration



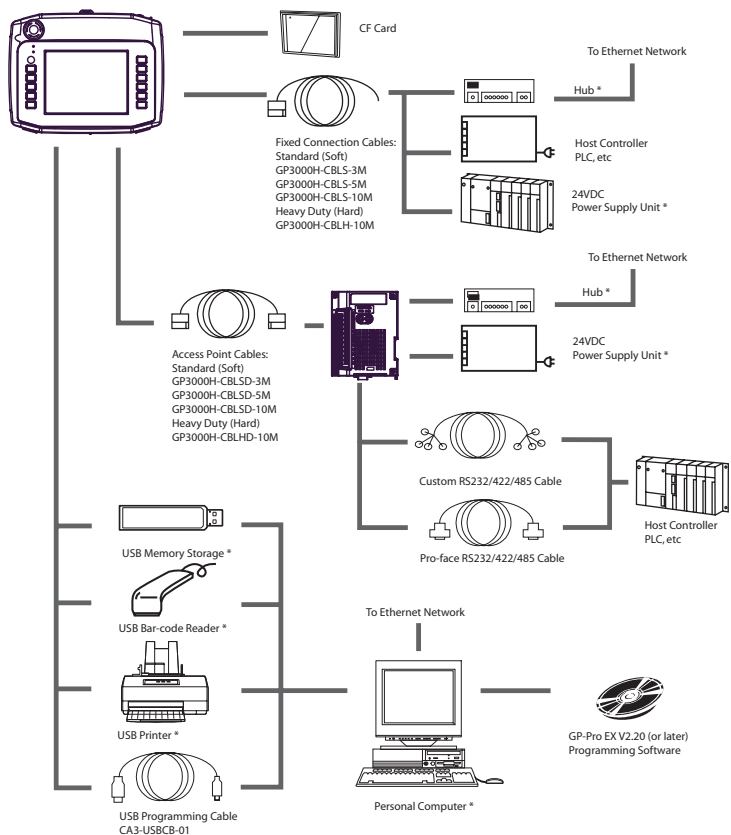
Ordering Information

Part Number	Description
AGP3310H-T1-D24	Hand Held, 5.7" TFT Color LCD (VGA), 24VDC, No E-Stop, No Key
AGP3300H-S1-D24	Hand Held, 5.7" STN Color LCD (QVGA), 24VDC, No E-Stop, No Key
AGP3300H-L1-D24	Hand Held, 5.7" Mono LCD (QVGA), 24VDC, No E-Stop, No Key
AGP3310H-T1-D24-RED	Hand Held, 5.7" TFT Color LCD (VGA), 24VDC, Red E-Stop, No Key
AGP3300H-S1-D24-RED	Hand Held, 5.7" STN Color LCD (QVGA), 24VDC, Red E-Stop, No Key
AGP3300H-L1-D24-RED	Hand Held, 5.7" Mono LCD (QVGA), 24VDC, Red E-Stop, No Key
AGP3310H-T1-D24-***-KEY	Hand Held, 5.7" TFT Color LCD (VGA), 24VDC, E-Stop *, with Key (* E-Stop available in Red/Yellow/Gray (-RED/-YEL/-GRY))
AGP3300H-S1-D24-***-KEY	Hand Held, 5.7" STN Color LCD (QVGA), 24VDC, E-Stop *, with Key (* E-Stop available in Red/Yellow/Gray (-RED/-YEL/-GRY))
AGP3300H-L1-D24-***-KEY	Hand Held, 5.7" Mono LCD (QVGA), 24VDC, E-Stop *, with Key (* E-Stop available in Red/Yellow/Gray (-RED/-YEL/-GRY))

AGP33x0H Back of Unit View



AGP33x0H Configuration



Software Compatibility

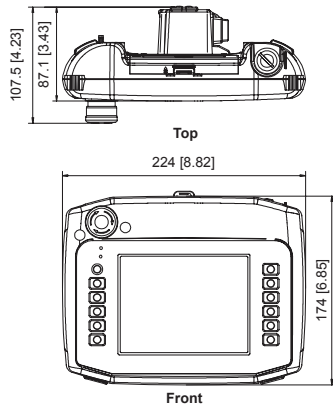
Powered by
Screen Editor
GP-Pro EX
HMI Development
Software
(Version 2.20 or newer)

Data management software
Pro-Server EX



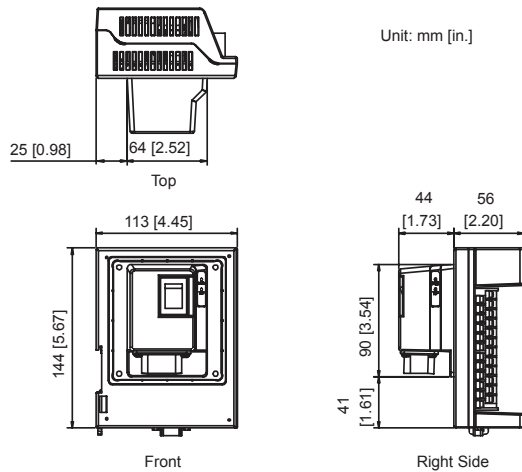

AGP33x0H Exterior Dimensions

Unit: mm [in.]



AGP3000H-ADPCOM-01 Adapter Dimensions

Unit: mm [in.]

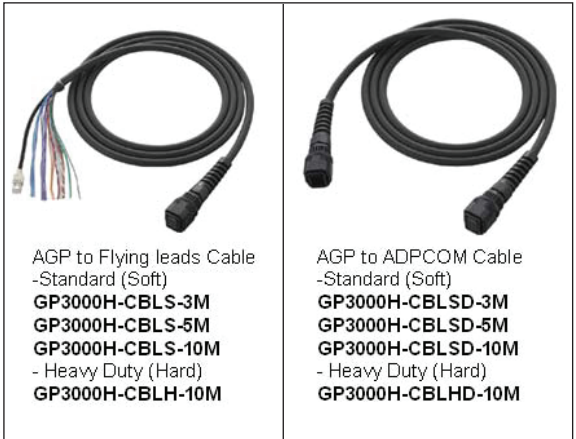


Optional Items

Product Name	Part Number
Software (GP-Pro EX)	EX-ED-V2.20 or later
Breakout adapter for AGP3000H (requires GP3000H-CBLxD-xM cables)	AGP3000H-ADPCOM-01
Cable, 3m soft, AGP3000H connector to open leads (direct connection)	GP3000H-CBLS-3M
Cable, 3m soft, connects AGP3000H-ADPCOM-01 to AGP3000H	GP3000H-CBLSD-3M
Cable, 5m soft, AGP3000H connector to open leads (direct connection)	GP3000H-CBLS-5M
Cable, 5m Soft, connects AGP3000H-ADPCOM-01 to AGP3000H	GP3000H-CBLSD-5M
Cable, 10m hard, AGP3000H connector to open leads (direct connection)	GP3000H-CBLH-10M
Cable, 10m hard, connects AGP3000H-ADPCOM-01 to AGP3000H	GP3000H-CBLHD-10M
Cable, 10m soft, AGP3000H connector to open leads (direct connection)	GP3000H-CBLS-10M
Cable, 10m soft, connects AGP3000H-ADPCOM-01 to AGP3000H	GP3000H-CBLSD-10M
Wall Mount / 75mm VESA Mount adapter for AGP3000H	GP3000H-WMA-01
CF Card	CA6-CFCALL/1GB-01
Adapter Install Gasket	GP3000H-WPGADP-01

Caution: Before operating any of these products, please be sure to read all related manuals thoroughly.

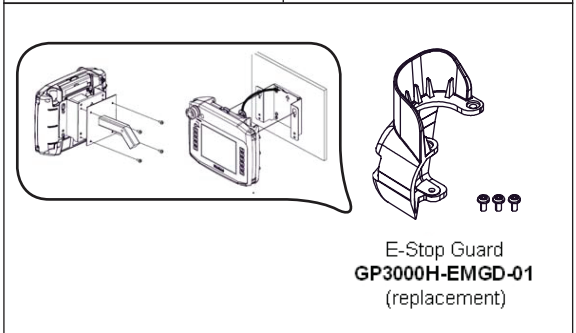
- All product names used in this document are trademarks or registered trademarks of their respective companies.
- All information contained in this document is subject to change without notice.



AGP to Flying leads Cable
-Standard (Soft)
GP3000H-CBLS-3M
GP3000H-CBLS-5M
GP3000H-CBLS-10M
- Heavy Duty (Hard)
GP3000H-CBLH-10M

AGP to ADPCOM Cable
-Standard (Soft)
GP3000H-CBLSD-3M
GP3000H-CBLSD-5M
GP3000H-CBLSD-10M
- Heavy Duty (Hard)
GP3000H-CBLHD-10M

<p>Hand Strap GP3000H-HS-01 (replacement)</p>	<p>Function Key Labels GP3000H-DUPS-01 (replacement, qty 5)</p>	<p>Quick Disconnect Adapter AGP3000H-ADPCOM-01</p>
<p>Protective Sheets (Hard) GP3000H-DFS6-01 (qty 5)</p>	<p>Stylus CA7-TTPEN/ALL-01 (replacement)</p>	



E-Stop Guard
GP3000H-EMGD-01
(replacement)

Pro-face America

Phone: 800.289.9266
Fax: 734.864.7347
www.profaceamerica.com

For more information
ACCESS www.profaceamerica.com



California Proposition 65 Warning—Lead and Lead Compounds

Advertencia de la Proposición 65 de California—Plomo y compuestos de plomo

Avertissement concernant la Proposition 65 de Californie—Plomb et composés de plomb

⚠ WARNING: This product can expose you to chemicals including lead and lead compounds, which are known to the State of California to cause cancer and birth defects or other reproductive harm. For more information go to: www.P65Warnings.ca.gov.

⚠ ADVERTENCIA: Este producto puede exponerle a químicos incluyendo plomo y compuestos de plomo, que es (son) conocido(s) por el Estado de California como causante(s) de cáncer y defectos de nacimiento u otros daños reproductivos. Para mayor información, visite : www.P65Warnings.ca.gov.

⚠ AVERTISSEMENT: Ce produit peut vous exposer à des agents chimiques, y compris plomb et composés de plomb, identifiés par l'État de Californie comme pouvant causer le cancer et des malformations congénitales ou autres troubles de l'appareil reproducteur. Pour de plus amples informations, prière de consulter: www.P65Warnings.ca.gov.

All trademarks are the property of Schneider Electric SE, its subsidiaries, and affiliated companies.

Schneider Electric USA, Inc.
800 Federal Street
Andover, MA 01810 USA
888-778-2733
www.schneider-electric.us

Todas las marcas comerciales son propiedad de Schneider Electric SE, sus filiales y compañías afiliadas.

Importado en México por:
Schneider Electric México, S.A. de C.V.
Av. Ejercito Nacional No. 904
Col. Palmas, Polanco 11560 México, D.F.
55-5804-5000
www.schneider-electric.com.mx

Toutes les marques commerciales sont la propriété de Schneider Electric SE, ses filiales et compagnies affiliées.

Schneider Electric Canada, Inc.
5985 McLaughlin Road
Mississauga, ON L5R 1B8 Canada
800-565-6699
www.schneider-electric.ca