

7.5" Multi-Port Operator Interface



TouchPanel Operation

7.5-inch STN Color Multi-port Operator Interface
AGP3400S 7.5-inch
Model: AGP3400-S1-D24

DC 24V
VGA

AUX Sound Out CF Card Ethernet

Powered by
Screen Editor
GP-Pro EX

UL LISTED SF CE Ro

Features:

- 4,096 Colors, Clear, Bright, High-Resolution STN Display
- 64-bit RISC 266Mhz CPU for Ultra-Fast Screen Refresh and Data Sampling
- No Grid Analog Touch Panel for Improved Visibility and Precise Part Placement
- Supports Up to Four Protocol Drivers Simultaneously
- High Speed Application Transfer, 10 Times Faster than Conventional Operator Interfaces
- 10/100 Base-T Ethernet, USB, Serial (MPI) and CompactFlash™ Communication Interfaces
- Includes Audio Output, Alarm/Buzzer Output, External Reset Input
- High-Definition Part Images and Multi-Language Support

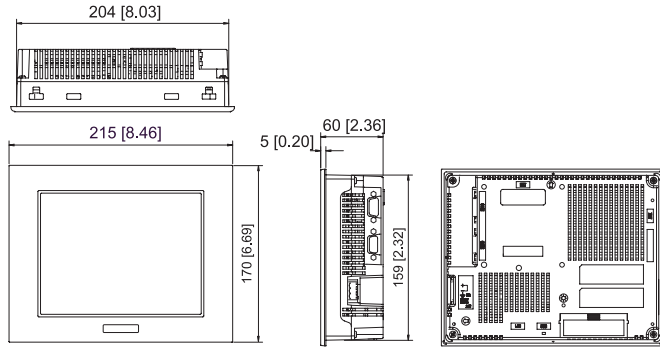
Specifications

Model	AGP3400-S1-D24
Graphics Display Resolution	640 x 480 pixels
Display Type and Size	STN Color LCD (7.5 inch)
Display Colors	4, 096 Colors
Display Area	153.7mm[6.05in.] x 115.8mm[4.56in.]
Touch Screen	Resistive film analog 1024 x 1024 resolution
USB	1 port USB1.1 Host I/F, USB TYPE-A connector
CF Card	CF Card Slot (TYPE-II) x 1
Serial	COM 1: RS-232C/422/485 configurable, 9 pin plug D-sub, Data Transmission Speed: 2400 to 115.2 kbps COM 2: RS-422/485, 9 pin socket D-sub, Data Transmission Speed: 2400 to 115.2 kbps (MPI Direct 187.5 kbps)
Ethernet	Ethernet IEEE802.3, 10BASE-T/100BASE-TX, modular jack connector (RJ-45)
Backlight	User replaceable CCFL (Service life: 54,000 hrs. or more at 25°C (77°F) and 24 hrs. operation)
Brightness and Contrast Controls	8 levels of adjustment available via touch panel
Programming Memory	8MB FEPRAM (< Rev 4), 16MB (Rev 4 and up, using GP-Pro EX V2.6 or later)
Backup Memory	320kb SRAM with battery backup
AUX Input/Output	AUX Discrete Output: Alarm Output, RUN Output, Buzzer Output, Rated: DC24V @ 50mA AUX Discrete Input: Remote Reset Input, Rated: DC24V @ 6mA Operating Voltage: ON State: DC9V or greater, OFF State: DC2.5V or less
Sound Output	Speaker output 70mW (Rated Load: 8ohm, Frequency: 1kHz)

General Specifications

Input Voltage	DC24V (Rated voltage DC19.2 to 28.8V)
Power Consumption	28W or less
Ambient Operating Temp.	0°C (32°F) to 50°C (122°F)
Storage Temperature	-20°C (-4°F) to 60°C (140°F)
Altitude Endurance	800hPa to 1114hPa (2000 meters or lower)
Certifications	CE, CSA, UL Listed Cl 1 Div 2, RoHS, ATEX
Humidity - Ambient/Storage	10%RH to 90%RH (non-condensing, wet bulb temperature: 39°C (102°F) or less)
Noise Immunity	Noise Voltage: 1000Vp-p Pulse Duration: 1µs Arise Time : 1ns
Cooling Method	Natural air circulation
Electrostatic Discharge Immunity	6kV (complies with EN 61000-4-2 Level 3)
Vibration Resistance	IEC61131-2 compliant. 5Hz to 9Hz single amplitude 3.5mm, 9Hz to 150Hz fixed acceleration 9.8m/s ² , X,Y, Z directions for 10 times (100min.)
Shock during operation	EN/IEC 60068-2-2 compliant, 147m/Sec, 11msec (Approx. 15G), 3 shocks to 3 direction/ axis
Rating	Equivalent to IP65f, Nema #250 Type 4x/13 (Equivalent to NEMA 12 with the addition of "Oil or Spraying and Splashing")
Weight	1.8kg (4.0lb) or less
External Dimensions	W215mm[8.46in.] x H170mm [6.69in.] x D60mm [2.36in.]
Warranty	Two-year standard (maximum 4 years)

AGP3400S - External Dimensions



AGP-3400T(DC type) unit shown.

Ordering Information

Part Number	Description
AGP3400-S1-D24	7.5" STN Color LCD, USB, Ethernet, Serial HMI, 24VDC

Optional Items

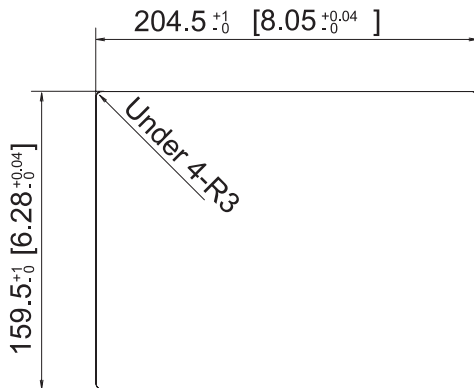
Part Number	Product Name
HMI-CAB-ETH	Ethernet Crossover Cable: HMI to PLC Ethernet port or to program HMI
CA3-USBCB-01	USB download cable, PC USB port to AGP USB port
PS400-DF00	Screen Protection Sheet (5 sheets/set)
GP-Pro EX (EX-ED-Vx)	Screen and Logic Development Software
PLC Cables & Accessories	See AGP3000 Connectivity Document

Caution: Before operating any of these products, please be sure to read all related manuals thoroughly.

- All product names used in this document are trademarks or registered trademarks of their respective companies.
- All information contained in this document is subject to change without notice.

AGP3400S - Cut-Out Dimensions

Unit: mm [in.]



Cut-Out Compatibility

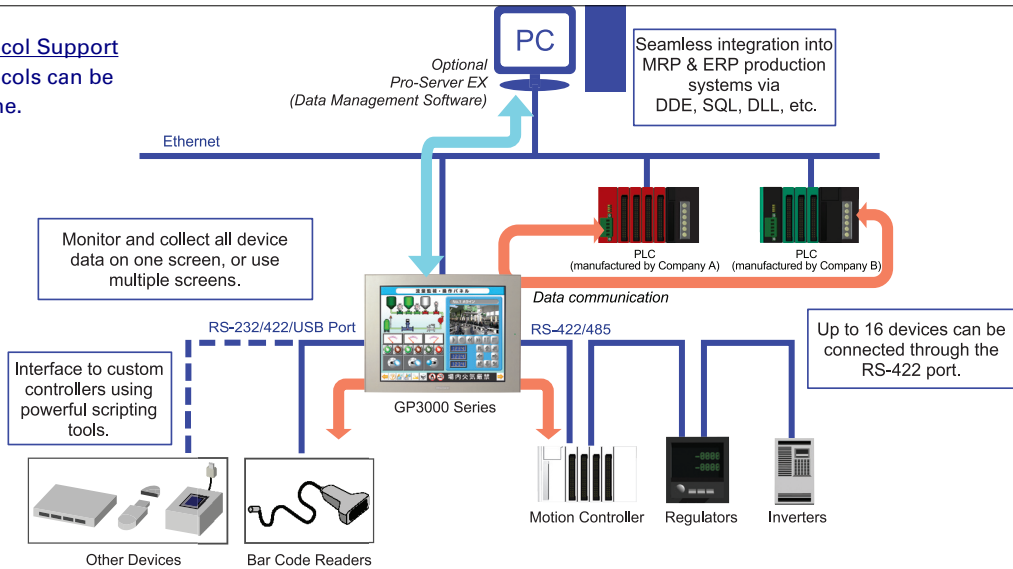
Investment Protection

Old model Panel cutout dimensions New model

Series name	Size mm
GP77R Series	—
GP2000 Series	GP2400/01 Series
GP3000 Series	GP-3400 Series

Simultaneous Multi-Protocol Support

Up to four different protocols can be active at one time.



Pro-face America

Phone: 734.429.4971

Fax: 734.429.1010

www.profaceamerica.com

DS-AGP3400S(C)

Customer Service Hotline: 734.944.0482

For more information

ACCESS

www.profaceamerica.com

Pro-face
Human Machine Interface



California Proposition 65 Warning—Lead and Lead Compounds

Advertencia de la Proposición 65 de California—Plomo y compuestos de plomo

Avertissement concernant la Proposition 65 de Californie—Plomb et composés de plomb

⚠ WARNING: This product can expose you to chemicals including lead and lead compounds, which are known to the State of California to cause cancer and birth defects or other reproductive harm. For more information go to: www.P65Warnings.ca.gov.

⚠ ADVERTENCIA: Este producto puede exponerle a químicos incluyendo plomo y compuestos de plomo, que es (son) conocido(s) por el Estado de California como causante(s) de cáncer y defectos de nacimiento u otros daños reproductivos. Para mayor información, visite : www.P65Warnings.ca.gov.

⚠ AVERTISSEMENT: Ce produit peut vous exposer à des agents chimiques, y compris plomb et composés de plomb, identifiés par l'État de Californie comme pouvant causer le cancer et des malformations congénitales ou autres troubles de l'appareil reproducteur. Pour de plus amples informations, prière de consulter: www.P65Warnings.ca.gov.

All trademarks are the property of Schneider Electric SE, its subsidiaries, and affiliated companies.

Schneider Electric USA, Inc.
800 Federal Street
Andover, MA 01810 USA
888-778-2733
www.schneider-electric.us

Todas las marcas comerciales son propiedad de Schneider Electric SE, sus filiales y compañías afiliadas.

Importado en México por:
Schneider Electric México, S.A. de C.V.
Av. Ejercito Nacional No. 904
Col. Palmas, Polanco 11560 México, D.F.
55-5804-5000
www.schneider-electric.com.mx

Toutes les marques commerciales sont la propriété de Schneider Electric SE, ses filiales et compagnies affiliées.

Schneider Electric Canada, Inc.
5985 McLaughlin Road
Mississauga, ON L5R 1B8 Canada
800-565-6699
www.schneider-electric.ca