

12.1" Advanced HMI with Control - AGP3600U-CA1M with Built-in CANopen Master



Features:

- Connect up to 63 CANopen Devices, including Pro-face EXM I/O to the Built-in CANopen Master Controller
- 65,536 color, clear, high brightness, high-resolution LCD display
- 64-bit RISC 266Mhz CPU for ultra-fast screen refresh and data sampling and Logic execution
- No grid analog touch panel for improved visibility and precise part placement
- Supports up to four protocol drivers (serial or Ethernet) simultaneously
- 100 Base-T Ethernet, USB, Serial (MPI) and CompactFlash™ communication interfaces
- Remote connections supported using Pro-Server EX, Web Server, FTP Server and GP-Viewer EX
- Supports up to 4 live video inputs (using optional video module)

Performance Specifications

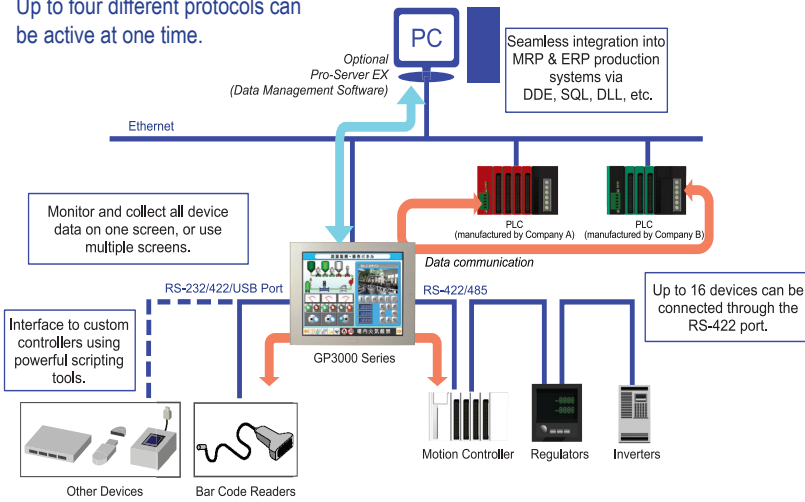
Model		AGP3600-U1-D24-CA1M
Display	Type	12.1" TFT Color LCD
	Colors	65K colors
	Backlight	LED Backlit (service life: 40,000 hrs. at 25C and continuous operation))
	Resolution	800 x 600 pixels (SVGA)
	Brightness Adjustment	8 levels of adjustment available via touch panel
	Contrast Adjustment	not applicable
	Touch Panel	Resistive Film (Analog) 1024 x 1024
Memory	Application	16MB Flash EPROM (Using GP-Pro EX V2.60 or newer)
	Data Backup	320KB SRAM (with lithium backup battery)
Interfaces	Serial (COM1) Interface	RS-232C/422/485, 9 pin D-sub plug, Speed: 2400 to 115.2 kbps
	Serial (COM2) Interface	RS-422/485, 9 pin D-sub socket, Speed: 2400 to 115.2 kbps & 187.5Kbps (MPI)
	Ethernet Interface	Ethernet IEEE802.3, 10BASE-T / 100BASE-TX, RJ45
	USB Interface	2 ports USB 1.1 (Host), Type A
	CF Card Interface	1x Compact Flash Card Slot (Type-II)
	Controller Interface	Built In CANopen (DS301) Master controller connects to up to 63 CANopen Slave devices. Speed: 50kbps - 1Mbps. Up to 512 each Discrete Input. Output, Up to 128 each Analog/Integer Input/ Output. Connect to Pro-face EXM I/O or 3rd party CANopen Slave Devices Supported Message Types: PDO (252 RPDO, 252 TPDO), SDO, NMT, SYNC, EMT
	AUX Input/Output	AUX Discrete Output: Alarm Output, RUN Output, Buzzer Output, Rated: DC24V AUX Discrete Input: Remote Reset Input, Rated: DC24V @ 6mA Operating Voltage: ON State: DC9V or greater, OFF State: DC2.5V or less

General Specifications

Model		AGP3600-U1-D24-CA1M
Electrical	Input Voltage	24V DC
	Rated Voltage	19.2V DC to 28.8V DC
	Power Consumption	2.08A or less (1.50A typical)
Environmental	Ambient Operating Temp.	0°C (32°F) to 50°C (122°F)
	Storage Temperature	-20°C (-4°F) to 60°C (140°F)
	Humidity	10%RH to 90%RH (non-condensing, wet bulb temperature: 39°C (102°F) or less)
	Altitude Operation	800hPa to 1114hPa (2000 meters above sea level or lower)
	Vibration & Shock Resistance	IEC/EN61131-2 compliant 5 to 9 Hz single-amplitude 3.5 mm [0.14 in.] 9 to 150 Hz constant-accelerated velocity 9.8 m/s² X,Y,Z directions for 10 cycle (100 minute)*
Structural	Ratings	Equivalent to IP65f, NEMA #250 TYPE 1
	Certifications	CE EN55011 Class A, EN61000-6-2, RoHS
	External Dimensions	W 313mm [12.32in] X H 239mm [9.41in] X D 56mm [2.20in]
	Weight	3.2kg [7.0lb]
	Warranty	Two year standard

Communication Capability

Simultaneous Multi-Protocol Support:
Up to four different protocols can be active at one time.

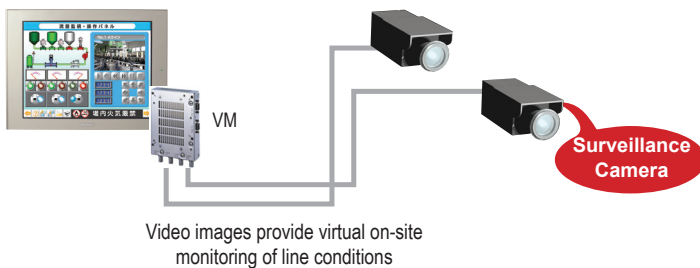


Remote Video Monitoring

Remote Video Monitoring:
Add up to four additional cameras using optional GP3000-VM01 Video Mix Unit

Applications:

- In-line Process Monitoring
- Machine Safety
- Security



Software Compatibility



Powered by
Screen Editor
GP-Pro EX
HMI Development
Software
(Version 2.50 or newer)

Ordering Information

Part Number	Description
AGP3600-U1-D24-CA1M	12.1" TFT, 2 Serial, 2 USB, Ethernet, CANopen Master, 24VDC

Optional Items

Part Number	Product Name
HTB1C0DM9LP	CANopen Slave Module for up to 7 EXM Modules (with built in 12pt Input / 6pt Output)
EXM-DDI8DT	Ex Module (8 Points Input)
EXM-DDI16DT	Ex Module (16 Points Input)
EXM-DRA8RT	Ex Module (8 Points Relay Output)
EXM-DRA16RT	Ex Module (16 Points Relay Output)
EXM-DDO8UT	Ex Module (8 Points Sink Output)
EXM-DDO8TT	Ex Module (8 Points Source Output)
EXM-DDO16UK	Ex Module (16 Points Sink Output)
EXM-DDO16TK	Ex Module (16 Points Source Output)
EXM-DMM8DRT	Ex Module (4 Points Input/4 Points Relay Out)
EXM-AMI2HT	Ex Module (2ch Analog Input)
EXM-ALM3LT	Ex Module (2ch Temp. Input/1ch Analog Out)
EXM-AMM3HT	Ex Module (2ch Analog Input/1ch Analog Out)
EXM-AMO1HT	Ex Module (1ch Analog Output)
Video Input Module	Visit our web site for RCA, DVI and RGB video modules
CA3-DFS12-01	12.1" Touch Screen Protection Sheet (Qty 5) AGP3600/3650 units
EX-ED-Vxx	Screen Editor Software
CA-CABLE-010M	CANopen Cable, No connectors, 10 Meters
CA-CABLE-050M	CANopen Cable, No connectors, 50 Meters
CA-CABLE-100M	CANopen Cable, No connectors, 100 Meters
CA-CN90-TRM	CANopen, 9Pin DSub, 90° with Term. Switch
CA-CN00-TRM	CANopen, 9Pin DSub, 180° with Term. Switch
CA3-USBCB-01	USB Download Cable
HMI-CAB-ETH	Ethernet Crossover Cable
CA3-ATFALL-01	Mounting Fasteners

Caution: Before operating any of these products, please be sure to read all related manuals thoroughly.
- All product names used in this document are trademarks or registered trademarks of their respective companies.
- All information contained in this document is subject to change without notice.

Outout Compatible for: GP570, GP577R, GP2500, GP2600, GLC2500, GLC2600



CANopen Slave Module



Video Input Module

Pro-face America
Phone: 734.477.0600
Fax: 734.864.7347
www.profaceamerica.com

Customer Service Hotline: 800.289.9266

For more information

ACCESS

www.profaceamerica.com

Pro-face



California Proposition 65 Warning—Lead and Lead Compounds

Advertencia de la Proposición 65 de California—Plomo y compuestos de plomo

Avertissement concernant la Proposition 65 de Californie—Plomb et composés de plomb

⚠ WARNING: This product can expose you to chemicals including lead and lead compounds, which are known to the State of California to cause cancer and birth defects or other reproductive harm. For more information go to: www.P65Warnings.ca.gov.

⚠ ADVERTENCIA: Este producto puede exponerle a químicos incluyendo plomo y compuestos de plomo, que es (son) conocido(s) por el Estado de California como causante(s) de cáncer y defectos de nacimiento u otros daños reproductivos. Para mayor información, visite : www.P65Warnings.ca.gov.

⚠ AVERTISSEMENT: Ce produit peut vous exposer à des agents chimiques, y compris plomb et composés de plomb, identifiés par l'État de Californie comme pouvant causer le cancer et des malformations congénitales ou autres troubles de l'appareil reproducteur. Pour de plus amples informations, prière de consulter: www.P65Warnings.ca.gov.

All trademarks are the property of Schneider Electric SE, its subsidiaries, and affiliated companies.

Schneider Electric USA, Inc.
800 Federal Street
Andover, MA 01810 USA
888-778-2733
www.schneider-electric.us

Todas las marcas comerciales son propiedad de Schneider Electric SE, sus filiales y compañías afiliadas.

Importado en México por:
Schneider Electric México, S.A. de C.V.
Av. Ejercito Nacional No. 904
Col. Palmas, Polanco 11560 México, D.F.
55-5804-5000
www.schneider-electric.com.mx

Toutes les marques commerciales sont la propriété de Schneider Electric SE, ses filiales et compagnies affiliées.

Schneider Electric Canada, Inc.
5985 McLaughlin Road
Mississauga, ON L5R 1B8 Canada
800-565-6699
www.schneider-electric.ca