

Modular Graphic Operator Interface

GP4000M SERIES

Touch Screen HMI
Innovative Mounting
Clear TFT LCD Display



3.5"
QVGA

GP-4201TM



5.7"
QVGA

GP-4301TM

Easy to install

Easy to operate

Easy to connect

Easy to set-up



Operator Interface

Easy to install

Easy to operate

Easy to connect

Easy to set-up



GP-4201TM

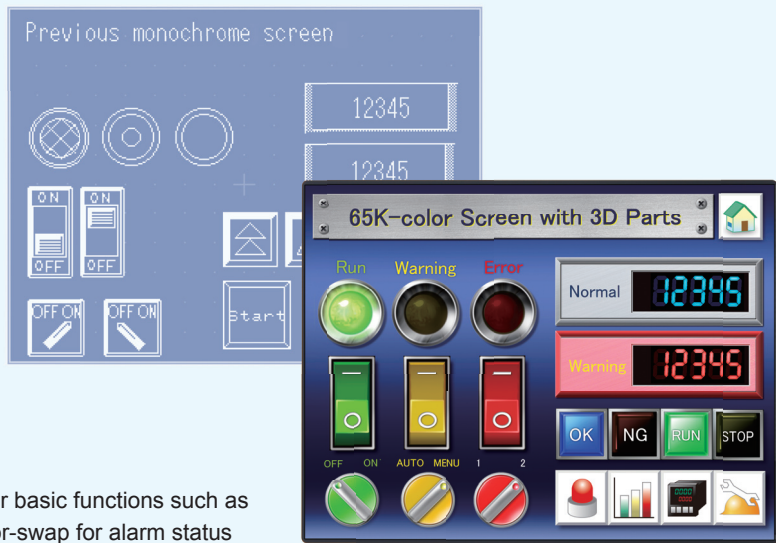


GP-4301TM

Easy to operate

Crystal-clear TFT LCD for easy operation.

Cost Effective - Replace monochrome screens and use color to display screen status.



Enhanced graphics for rich dashboards.



Utilize 65,536 colors for basic functions such as 7-digit display and color-swap for alarm status messages.

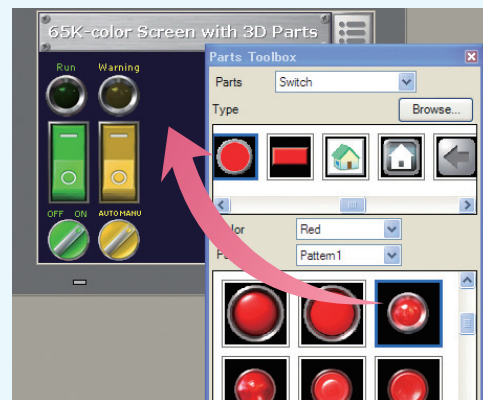


A variety of graphical fonts and extensive image library provides easy-to-read numbers.

Easy to set-up

GP-Pro EX

Save time by using existing project data, one software package for all Pro-face HMI and IPC Solutions.



<http://www.hmisource.com/otasuke/>



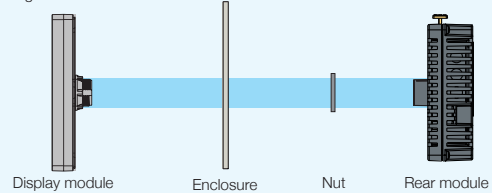
Low Power Consumption
 5.7" 6.8 W or less
 3.5" 6.5 W or less

Compact
 5.7" 0.62 kg (1.36 lb.) or less
 3.5" 0.36 kg (0.79 lb.) or less
 *Main units only

Easy to install

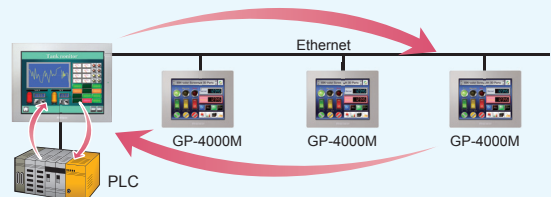
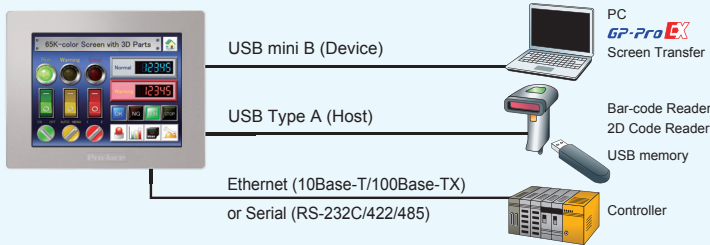
Fits in standard 22mm mounting hole making it the 'Easy Fit' for Field Installations.

* Image of 5.7" model



Easy to connect

Best in class connectivity.



The Ethernet Multilink function allows you to add a GP as a sub-display on an Ethernet network without changing any machine settings.

Connect to various control devices via Ethernet or a serial port.

Connect directly to a variety of devices

* On the GP4000M Series, either of a serial interface or an Ethernet interface can be active for communication to control devices.

As of July 2011

Maker Name	Driver Name	SIO or Ethernet	Ethernet multi-link	Maker Name	Driver Name	SIO or Ethernet	Ethernet multi-link	Maker Name	Driver Name	SIO or Ethernet	Ethernet multi-link
Digital Electronics Corporation	General Ethernet	●	●	Mitsubishi Electric Corporation	A Series Computer Link	●	●	RKC INSTRUMENT INC.	Temp. Controller MODBUS SIO	●	●
	General SIO	●	●		A Series Ethernet	●	●		Temperature Controller	●	●
FATEK AUTOMATION Corporation	Memory Link	●	●		FX Series Computer Link	●	●	Rockwell Automation, Inc.	DF1	●	●
Fuji Electric Corporation	FB Series SIO	●	●		FX Series CPU Direct	●	●		DH-485	●	●
	MICREX-F Series SIO	●	●		FX Series Ethernet	●	●		EtherNet/IP	●	●
	MICREX-SX Series Ethernet	●	●		Q Series CPU Direct	●	●	Schneider Electric Industries	MODBUS SIO Master	●	●
	MICREX-SX Series SIO	●	●		Q Series OnU CPU Ethernet	●	●		MODBUS Slave	●	●
JTEKT Corporation	TOYOPUC CMP-LINK Ethernet	●	●		Q/OnA Serial Communication	●	●		MODBUS TCP Master	●	●
	TOYOPUC CMP-LINK SIO	●	●		Q/OnA Series Ethernet	●	●		Uni-Telway	●	●
KEYENCE Corporation	KV700/1000/3000/5000 CPU Direct	●	●		QnA Series CPU Direct	●	●	Siemens AG	SIMATIC S7 Ethernet	●	●
	KV-10 80RW/TW CPU Direct	●	●		QUTE Series CPU Direct	●	●		SIMATIC S7 MPI Direct	●	●
KOYO ELECTRONICS CO., LTD.	KOSTAC/DL Series CCM SIO	●	●	MODBUS IDA	General MODBUS RTU SIO Master	●	●	Siemens Building Technologies	SAPHIR SIO	●	●
	KOSTAC/DL Series MODBUS TCP	●	●		General MODBUS TCP Master	●	●	TOSHIBA MACHINE CO., LTD.	TC Series(TCmini/TC200)	●	●
LS Industrial Systems	Master-K Series Cnet	●	●	OMRON Corporation	C/CV Series HOST Link	●	●	YASKAWA Electric Corporation	MP/SARVO Ethernet	●	●
	XGT Series Cnet	●	●		CS/CJ Series Ethernet	●	●		MP Series SIO(Extension)	●	●
	XGT Series Fenet	●	●	Panasonic Electric Works, Ltd.	CS/CJ Series HOST Link	●	●	YOKOGAWA Electric Corporation	Personal Computer Link SIO	●	●
Mitsubishi Electric Corporation	A Series CPU Direct	●	●		FP Series Computer Link SIO	●	●				

Functional Specifications	GP-4301TM	GP-4201TM
Display Type	5.7" TFT Color LCD	3.5" TFT Color LCD
Display Colors	65,536 colors	
Resolution	320 x 240 pixels (QVGA)	
LED Backlight	White LED	
Effective Display Area	W115.2 x H86.4 mm(W4.53xH3.40 in.)	W70.56 x H52.92 mm(W2.78xH2.08 in.)
Language Fonts *1	Japanese, English, Chinese (Simplified), Chinese (Traditional), Korean, Cyrillic, Thai	
Character Sizes	Standard font: 8 x 8, 8 x 16, 16 x 16 and 32 x 32 pixel fonts, Stroke font: 6 to 127 pixel fonts, Image font: 8 to 72 pixel fonts	
Application memory *2	FLASH EPROM 8 MB	
Clock Accuracy	Uses the clock of an external device	
Touch Panel Type	Resistive Film (analog)	
Interface	Ethernet (LAN)	IEEE802.3i/ IEEE802.3u, 10BASE-T/100BASE-TX Connector: Modular jack (RJ-45) x 1
	Serial (COM)	RS232C / RS422 / RS485 Asynchronous Transmission, Data Length: 7 or 8 bit, Parity: none, Odd or Even, Stop Bit: 1 or 2 bit, Data Transmission Speed: 2,400 bps to 187,500 bps D-Sub 9 pin (plug)
	USB (Type A)	Conforms to USB2.0 (Type A) x 1, Power Supply Voltage: DC 5 V 5 %, Communication Distance: 3 m (9.84 ft) or less
	USB (Type mini B)	Conforms to USB2.0 (mini B) x 1, Communication Distance: 5 m (16.40 ft) or less

*1 Please refer to the GP-Pro EX Reference Manual for details on font types and character codes.

*2 Capacity available for user application. The capacity depends on how many fonts you load from Editor software.

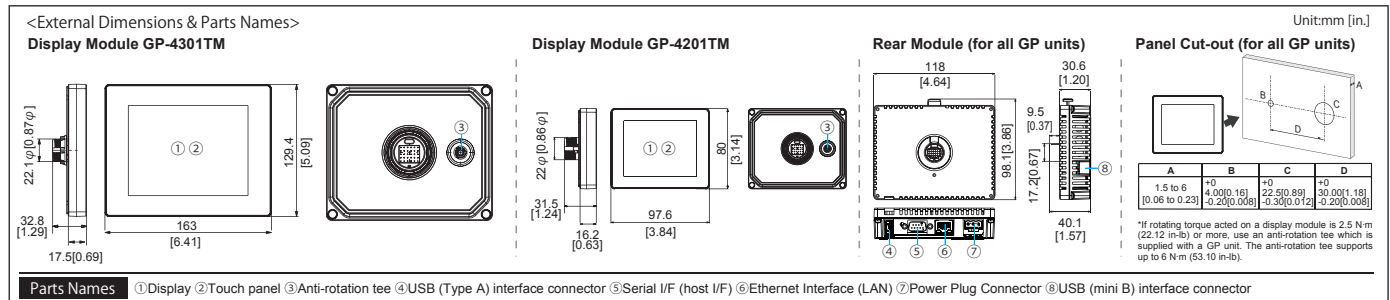
General Specifications	GP-4301TM	GP-4201TM
International Safety Standards		
Conforming Standards	UL508, UL 1604 *3 or ANSI/ISA 12.12.01*3, CSA-C22.2 No.142, CSA-C22.2 No.213 *3, 2004/108/EC EMC Directive, GOST-R, KC	
Input Voltage	DC24V	
Power Consumption	6.8 W or less	6.5 W or less
Surrounding Air Temperature	0 to 50 °C (32 to 122 °F)	
Grounding	Functional grounding: Grounding resistance of 100Ω, 2mm ² (AWG 14) or thicker wire, or your country's applicable standard.	
Vibration Resistance	IEC/EN61131-2 compliant, 5 to 9 Hz Single amplitude 3.5 mm [0.14 in.], 9 to 150 Hz Fixed acceleration: 9.8 m/s ² , X, Y, Z directions for 10 cycles (100 min)	
Structure	NEMA#250 Type 4x (indoor, installed in an enclosure) Display Module: IP 65f (IEC60529) Rear Module: IP 20 (IEC 60529)	
Weight	0.62 kg (1.36 lb.) or less (main unit only)	0.36 kg (0.79 lb.) or less (main unit only)
Cooling Method	Natural air circulation	

*3 Suitable for use in hazardous locations in accordance with Class I, Division 2 Groups A, B, C and D standards.



3.5" GP-2301TM

5.7" GP-4301TM



Units

Product Name	Model No.	Description
GP-4301TM	PFXGM4301TAD	5.7", QVGA (320 x 240 pixels), 65,536 colors, RS-232C/422/485, USB (Host x1, Device x1), Ethernet, DC24V
GP-4201TM	PFXGM4201TAD	3.5", QVGA (320 x 240 pixels), 65,536 colors, RS-232C/422/485, USB (Host x1, Device x1), Ethernet, DC24V

■ Option Items * We offer various cables for connections to control devices via serial interfaces. For details, please refer to the manual. *** is changed with the version of software.

Product Name	Model No.	Description
GP-Pro EX	EXEDV**	Screen editor software Ver.2.71 or later
Interface Cables	USB Front Cable (1m)	CA5-USBEXT-01 Extension cable attaching USB interface to front panel.
	USB-Serial (RS-232C) Conversion Cable (0.5m)	CA6-USB232-01 Cable to convert the USB interface of a GP unit into a serial (RS-232C) interface.
	USB Transfer Cable (USB Type A/mini B)(1.8 m)	ZC9USCBMB1 Cable for transferring screen data from a PC (USB Type A) to the GP unit (USB mini B).
	USB Panel-mount Extension Cable (USB mini B) (1 m)	ZC9USEXMB1 Extension cable attaching to the USB (mini B) interface on the front side of the operation panel.
GP unit Description Screen Protection Sheet	For GP-4301TM: PFXZCDBS61 For GP-4201TM: CA6-DFS4-01	Disposable, dirt-resistant sheet for the GP unit's screen. (5 sheets/set) (Hard type)
Accessories Kit	PFXZGMAK1	Anti-rotation Tee*1, USB cable clamp to prevent disconnection (USB Type A*1, Mini B, for 1 port), 2mm-height spacer to adjust installation panel thickness (1pc/each)

*1 Please purchase when the product is damage or lost.

■ Maintenance Items * Please purchase when the product is damage or lost.

Product Name	Model No.	Description
Display Installation Nut	PFXZGMNT1	Nut to install the display module (10 pcs/set)
Socket Wrench	PFXZGMSW1	Socket wrench to tighten and loosen the display installation nut (1 pc/set)
DC Power Supply Connector	PFXZGMCNDC1	Connector to connect DC power supply cables (5 pcs/set)

WARNING

HAZARD OF OPERATOR INJURY, OR UNINTENDED EQUIPMENT DAMAGE

Before operating any of these products, be sure to read all related manuals thoroughly.

Failure to follow these instructions can result in death or serious injury, unintended equipment damage.

- For printing purposes, the colors in this catalog may differ from those of the actual unit.
- Actual user screens may differ from the screens shown here.
- Electric equipment should be installed, operated, serviced, and maintained only by qualified personnel.
- All product names used in this catalog are the registered trademarks or trademarks of their respective companies.
- All information contained in this catalog is subject to change without notice.
- No responsibility is assumed by Digital for any consequences arising out of the use of this material.

Pro-face is a registered trademark of Digital Electronics Corporation in Japan, U.S.A., Canada, Europe and other areas and countries.

Pro-face America
1050 Highland Drive, Suite D
Ann Arbor, MI 48108-2236
(800)289-9266

www.profaceamerica.com | www.hmisource.com

Technical Support Web
Otasuke Pro!

www.profaceamerica.com | www.hmisource.com