

3.5" Touch Screen Operator Interface

**TouchPanel
Operation**

3.5-inch TFT Color
Touch Screen Operator Interface

GP-420xT

DC 24V

3.5-inch

Model: PFXGP4201TAD, PFXGP4203TAD

Powered by
Screen Editor
GP-Pro EX

Features:

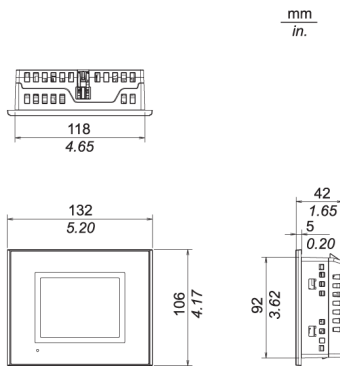
- 65,536 Colors, Clear, Bright, High-Resolution TFT Display
- Energy Efficient LED Display
- No Grid Analog Touch Panel for Improved Visibility and Precise Part Placement
- Supports Up to Four Protocol Drivers Simultaneously
- High Speed Application Transfer, 10 Times Faster than Conventional Operator Interfaces
- 10/100 Base-T Ethernet, USB, and Serial Communication Interfaces
- High-Definition Part Images and Multi-Language Support

Specifications		
Model	PFXGP4201TAD	PFXGP4203TAD
Graphics Display Resolution	320 x 240 pixels (QVGA)	
Display Type and Size	TFT Color LCD (3.5 inch)	
Display Colors	65,536 Colors (No blink)/16,384 Colors (Blink)	
Display Area	W70.56 x H52.92 mm [W2.78 x H2.08 in.]	
Touch Screen	Resistive film analog 1024 x 1024 resolution	
USB	USB Type-A (2.0) x 1 , USB mini-B (2.0) x1	
Serial	RS-232C/422/485 Asynchronous Transmission, Data Length: 7 or 8 bit, Parity: None, Even or Odd, Stop Bit: 1 or 2 bit, Data Transmission Speed: 2,400 bps to 115.2 kbps, 187.5 kbps(MPI), Connector: D-Sub9 (plug)	RS-485 (isolation) Asynchronous Transmission, Data Length: 7 or 8 bit, Parity: None, Even or Odd, Stop Bit: 1 or 2 bit, Data Transmission Speed: 2,400 bps to 115.2 kbps, 187.5 kbps (MPI), Connector: D-Sub9 (socket)
Ethernet	Ethernet IEEE802.3//IEEE802.3u, 10BASE-T/100BASE-TX	
Backlight	White LED (User nonreplaceable parts. When replacement is required, contact your local distributor.	
Brightness and Contrast Controls	16 levels of adjustment available via touch panel (or the software)	
Programming Memory	16MB FEPROM (GP-Pro EX V3.0 or later)	
Backup Memory	320kb SRAM with battery backup	

General Specifications	
Model	PFXGP4201TAD, PFXGP4203TAD
Input Voltage	Rated DC24V (Limits DC19.2 to 28.8V)
Power Consumption	9.6 W or less
Ambient Operating Temp.	0°C (32°F) to 50°C (122°F)
Storage Temperature	-20 to 60 °C [-4 to 140 °F]
Altitude Endurance	800hPa to 1114hPa (2000 meters or lower)
Certifications	CE, UL Listed Cl 1 Div 2 (Cl 1 Div 2 is only available on Rev. B units),, RoHS, ABS (American Bureau of Shipping), DNV (Norway – Marine)
Humidity - Ambient/Storage	10 to 90 % RH (Wet bulb temperature: 39 °C [102.2 °F] or less - no condensation.)
Noise Immunity	Noise Voltage: 1,000 Vp-p, Pulse Duration: 1 µs, Rise Time: 1 ns (via noise simulator)
Cooling Method	Natural air circulation
Electrostatic Discharge Immunity	Contact Discharge Method: 6 kV (IEC/EN61000-4-2 Level 3)
Vibration Resistance	IEC/EN61131-2 compliant, 5 to 9 Hz Single amplitude 3.5 mm [0.14 in.], 9 to 150 Hz Fixed acceleration: 9.8 m/s², X, Y, Z directions for 10 cycles (approx. 100 min)
Shock during operation	IEC/EN 61131-2 compliant 147 m/s², X, Y, Z directions for 3 times
Rating	Equivalent to IP65f, Nema #250 Type 4x/13 (Equivalent to NEMA 12 with the addition of "Oil or Spraying and Splashing") when properly installed in an enclosure
Weight	0.4 kg [0.9 lb] or less (display unit only)
External Dimensions	W132 x H106 x D42 mm [W5.2 x H4.17 x D1.65 in.]
Warranty	Two-year standard (maximum 4 years)

GP-4201T - External Dimensions

Unit: mm [in.]



Ordering Information

Part Number	Description
PFXGP4201TAD	GP4201T : 3.5" TFT Color Touchscreen (Analog), QVGA, 1x Serial, Ethernet, 2x USB, 24VDC, UL/CE
PFXGP4203TAD	GP4203T : 3.5" TFT Color Touchscreen (Analog), QVGA, 1x Serial (MPI), Ethernet, 2x USB, 24VDC, UL/CE

Optional Items

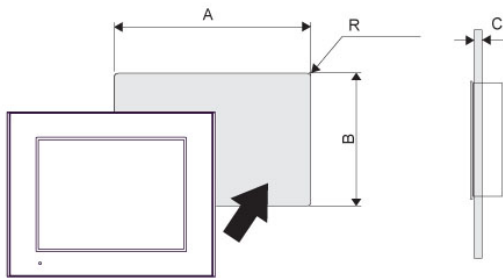
Part Number	Product Name
PFXZCBWG41	Replacement Gasket for 3.5" GP4000 (Qty 1)
CA6-DFS4-01	3.5-inch Screen Protection Sheet
GP-Pro EX (EX-ED-Vx)	Screen and Logic Development Software (ver 3.0 or newer)
PLC Cables & Accessories	See AGP3000 Connectivity Document

Caution: Before operating any of these products, please be sure to read all related manuals thoroughly.

- All product names used in this document are trademarks or registered trademarks of their respective companies.
- All information contained in this document is subject to change without notice.

GP-4201T - Cut-Out Dimensions

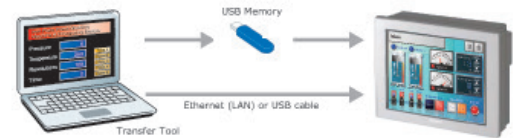
Unit: mm [in.]



A	B	C	R
118.5 mm (+1, -0 mm) (4.67 in [+0.04, -0 in.])	92.5 mm (+1, -0 mm) (3.64 in. [+0.04, -0 in.])	1.6...5 mm (0.06...0.2 in)	3 mm (0.12 in.) maximum

Easily Transfer Data

Screen data can be updated by using the data transfer tool, even without a software license.



The data transfer tool can be downloaded for free from the Web
<http://www.profaceamerica.com>

Connectivity

Ethernet Multi-Link function

The Ethernet Multi-Link function allows you to easily add a GP as a sub-display to the facility without changing any settings of the control device.

