

7.0" Touch Screen Operator Interface

**TouchPanel
Operation**

7.0-inch TFT Color
Touch Screen Operator Interface

GP-4401WW

Model: PFXGP4401WADW

Powered by
Screen Editor
GP-Pro EX

DC 24V

WVGA

7.0-inch

SD Card
Ethernet

Features:

- 65,536 Colors, Clear, Bright, High-Resolution TFT Display
- Energy Efficient LED Display
- No Analog Touch Panel for Improved Visibility and Precise Part Placement
- Supports Up to Two Protocol Drivers Simultaneously
- High Speed Application Transfer, 10 Times Faster than Conventional Operator Interfaces
- 10/100 Base-T Ethernet, USB, Serial Communication, and SD Card Interfaces
- High-Definition Part Images and Multi-Language Support

Specifications

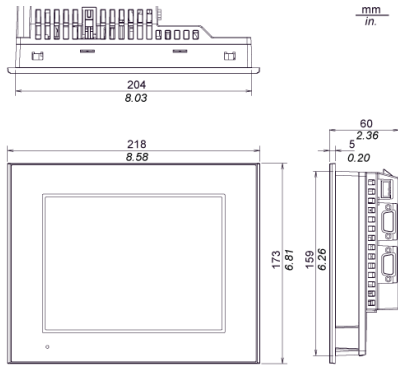
| | |
|----------------------------------|---|
| Model | PFXGP4401WADW |
| Graphics Display Resolution | 800 x 480 pixels (WVGA) |
| Display Type and Size | TFT Color LCD (7.0 inch) |
| Display Colors | 65,536 Colors (No blink)/16,384 Colors (Blink) |
| Display Area | W152.4 x H91.44 mm [W6.0 x H3.6 in.] |
| Touch Screen | Resistive film analog 1024 x 1024 resolution |
| USB | USB Type-A (2.0) x 1 , USB mini-B (2.0) x1 |
| SD Card | SD Card slot x 1 (maximum 32 GB SD/SDHC Card) |
| Serial | COM1: RS-232C Asynchronous Transmission Data Length: 7 or 8 bit, Parity: None, Odd or Even, Stop Bit: 1 or 2 bit, Data Transmission Speed: 2,400 bps to 115.2 kbps, Connector: D-Sub9 (plug) COM 2: RS-422/485 Asynchronous Transmission Data Length: 7 or 8 bit Parity: None, Odd or Even Stop Bit: 1 or 2 bit Data Transmission Speed: 2,400 bps to 115.2 kbps, 187.5kbps (MPI) Connector: D-Sub9 (plug) |
| Ethernet | Ethernet IEEE802.3/IEEE802.3u, 10BASE-T/100BASE-TX |
| Backlight | White LED (User nonreplaceable parts. When replacement is required, contact your local distributor. |
| Brightness and Contrast Controls | 8 Levels (or the software) |
| Programming Memory | 16MB FEPROM (GP-Pro EX V3.0 or later) |
| Backup Memory | 128kb SRAM with battery backup |

General Specifications

| | |
|----------------------------------|---|
| Model | PFXGP4401WADW |
| Input Voltage | Rated DC24V (Limits DC19.2 to 28.8V) |
| Power Consumption | 12 W or less |
| Ambient Operating Temp. | 0°C (32°F) to 50°C (122°F) |
| Storage Temperature | -20 to 60 °C [-4 to 140 °F] |
| Altitude Endurance | 800hPa to 1114hPa (2000 meters or lower) |
| Certifications | CE, UL Listed Cl 1 Div 2 (Cl 1 Div 2 is only available on Rev. B units), RoHS, ABS (American Bureau of Shipping), DNV (Norway – Marine) |
| Humidity - Ambient/Storage | 10 to 90 % RH (Wet bulb temperature: 39 °C [102.2 °F] or less - no condensation.) |
| Noise Immunity | Noise Voltage: 1,000 Vp-p, Pulse Duration: 1 μs, Rise Time: 1 ns (via noise simulator) |
| Cooling Method | Natural air circulation |
| Electrostatic Discharge Immunity | Contact Discharge Method: 6 kV (IEC/EN61000-4-2 Level 3) |
| Vibration Resistance | IEC/EN61131-2 compliant, 5 to 9 Hz Single amplitude 3.5 mm [0.14 in.], 9 to 150 Hz Fixed acceleration: 9.8 m/s², X, Y, Z directions for 10 cycles (approx. 100 min) |
| Shock during operation | IEC/EN 61131-2 compliant 147 m/s², X, Y, Z directions for 3 times |
| Rating | Equivalent to IP65f, Nema #250 Type 4x/13 (Equivalent to NEMA 12 with the addition of "Oil or Spraying and Splashing") when properly installed in an enclosure |
| Weight | 1.2 kg [2.6 lb] or less (display unit only) |
| External Dimensions | W218 x H174 x D60 mm [W8.58 x H6.85 x D2.36 in.] |
| Warranty | Two-year standard (maximum 4 years) |

GP-4401WW - External Dimensions

Unit: mm [in.]



Ordering Information

| Part Number | Description |
|---------------|---|
| PFXGP4401WADW | GP-4401WW: 7.0" Wide TFT Color Touchscreen (Analog), WVGA, 2x Serial, Ethernet, 2x USB, SD, 24VDC, UL/CE |

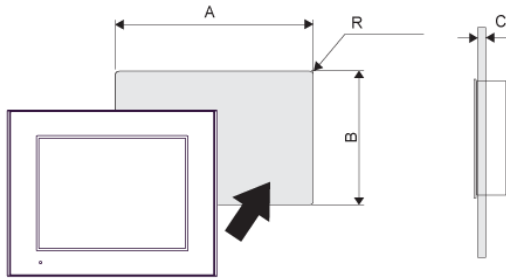
Optional Items

| Part Number | Product Name |
|--------------------------|--|
| PFXZCBSD4GC41 | SD Memory Card (4 GB, Class 4) |
| PFXZCBSDS72 | Touch Screen Protection Sheet (Qty 5) for 7.0" GP4000 |
| GP-Pro EX (EX-ED-Vx) | Screen and Logic Development Software (ver 3.0 or newer) |
| PLC Cables & Accessories | See AGP3000 Connectivity Document |

Caution: Before operating any of these products, please be sure to read all related manuals thoroughly.
 - All product names used in this document are trademarks or registered trademarks of their respective companies.
 - All information contained in this document is subject to change without notice.

GP-4401WW - Cut-Out Dimensions

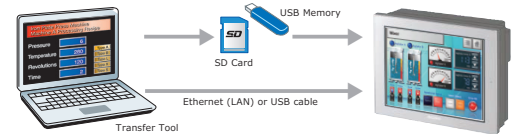
Unit: mm [in.]



| A | B | C | R |
|--|--|--------------------------------|----------------------------|
| 204.5 mm (+1, -0 mm) (8.05 in. [+0.04, -0 in.]) | 159.5 mm (+1, -0 mm) (6.28 in. [+0.04, -0 in.]) | 1.6...5 mm (0.06...0.2 in.) | 3 mm (0.12 in.) maximum |

Easily Transfer Data

Screen data can be updated by using the data transfer tool, even without a software license.

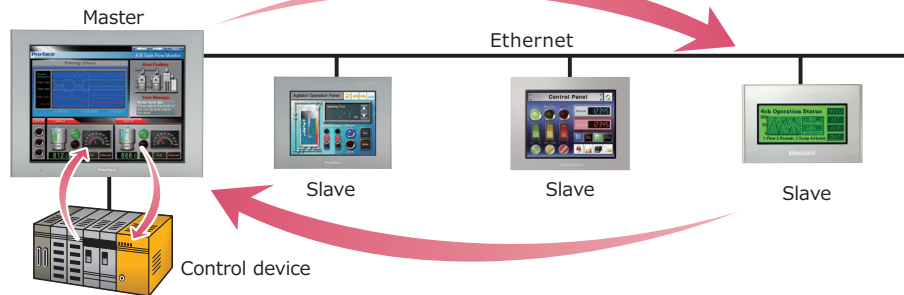


The data transfer tool can be downloaded for free from the Web
<http://www.profaceamerica.com>

Connectivity

Ethernet Multi-Link function

The Ethernet Multi-Link function allows you to easily add a GP as a sub-display to the facility without changing any settings of the control device.





California Proposition 65 Warning—Lead and Lead Compounds

Advertencia de la Proposición 65 de California—Plomo y compuestos de plomo

Avertissement concernant la Proposition 65 de Californie—Plomb et composés de plomb

⚠ WARNING: This product can expose you to chemicals including lead and lead compounds, which are known to the State of California to cause cancer and birth defects or other reproductive harm. For more information go to: www.P65Warnings.ca.gov.

⚠ ADVERTENCIA: Este producto puede exponerle a químicos incluyendo plomo y compuestos de plomo, que es (son) conocido(s) por el Estado de California como causante(s) de cáncer y defectos de nacimiento u otros daños reproductivos. Para mayor información, visite : www.P65Warnings.ca.gov.

⚠ AVERTISSEMENT: Ce produit peut vous exposer à des agents chimiques, y compris plomb et composés de plomb, identifiés par l'État de Californie comme pouvant causer le cancer et des malformations congénitales ou autres troubles de l'appareil reproducteur. Pour de plus amples informations, prière de consulter: www.P65Warnings.ca.gov.

All trademarks are the property of Schneider Electric SE, its subsidiaries, and affiliated companies.

Schneider Electric USA, Inc.
800 Federal Street
Andover, MA 01810 USA
888-778-2733
www.schneider-electric.us

Todas las marcas comerciales son propiedad de Schneider Electric SE, sus filiales y compañías afiliadas.

Importado en México por:
Schneider Electric México, S.A. de C.V.
Av. Ejercito Nacional No. 904
Col. Palmas, Polanco 11560 México, D.F.
55-5804-5000
www.schneider-electric.com.mx

Toutes les marques commerciales sont la propriété de Schneider Electric SE, ses filiales et compagnies affiliées.

Schneider Electric Canada, Inc.
5985 McLaughlin Road
Mississauga, ON L5R 1B8 Canada
800-565-6699
www.schneider-electric.ca