

PS6600WC Advanced Modular Industrial PC



PS6600WC
Model: PS6000 Series
CPU: Core™ i7, Core™ i5, Core™ i3, Celeron

12.1"

100-240 Vac
24 Vdc

Windows 10 | AC or DC | Multiple CPU Options | Build to Order

CE UL cUL RoHS KC
Class 1 Division 2

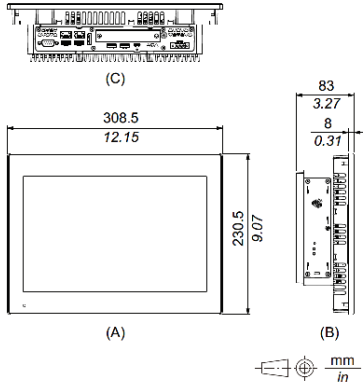
Performance Specifications			
Display	PS6600WC 12" Display with Choice of Box Unit		
Graphics Display Resolution	1,280 x 800 pixels (WXGA)		
Display Type & Size	TFT Color LCD (12.1-inch) (wide)		
Display Colors	16 million colors		
Touch Panel	Projected capacitive (multi-touch)		
Effective Display Area	261.12 x 163.2 mm (10.28 x 6.43 in)		
Backlight	White LED (not user replaceable. Please contact customer support.)		
Backlight Service Life	50,000 hours or more (continuous operation at 25 °C [77 °F] before backlight brightness decreases to 25%)		
Brightness Control	0...100 (adjusted with touch panel or software)		
Panel Resolution	2,048 x 2,048		
Box Unit Options	Advanced Box		Standard Box
CPU	Core™ i7	Core™ i5	Celeron
Graphic Accelerator	Intel UHD Graphics 620	Intel® UHD Graphics 610 (built in CPU)	Intel® UHD Graphics 620 (built in CPU)
Supported OS	Windows10 IoT Enterprise 2019 LTSC (64bit)		
Main Memory	260-pin SO-DIMM socket x 2, DDR4-2400 (Up to 16 GB/socket, up to 32 GB for 2 sockets)	260-pin SODIMM socket x 2, DDR4-2133 (Up to 16 GB/socket, up to 32 GB for 2 sockets)	260-pin SODIMM socket x 2, DDR4-2400 (Up to 16 GB/socket, up to 32 GB for 2 sockets)

General Specifications				
PS6600WC 12.1" Wide Screen Display with choice of box unit	Advanced		Standard	
	DC Model	AC Model	DC Model	AC Model
Rated Input Voltage	12-24 Vdc ±20 % When using	100 to 240 Vac	12-24 Vdc ±20 % When using	100 to 240 Vac
Input voltage limits	18...31.2 Vdc	85...264 Vac	18...31.2 Vdc	85...264 Vac
Voltage Drop	5 ms or less	20 ms or less	5 ms or less	20 ms or less
Power Consumption ⁴	Panel Unit Only: 73 W When power is not supplied to external devices (Max 138 W) Box Unit Only: 56 W When power is not supplied to external devices (Max 121 W)	Panel Unit Only: 85 VA When power is not supplied to external devices (Max 158 VA) Box Unit Only: 67 VA When power is not supplied to external devices (Max 140 VA)	Panel Unit Only: 51 W When power is not supplied to external devices (Max 69 W) Box Unit Only: 39 W When power is not supplied to external devices (Max 87 W)	Panel Unit Only: 59 VA When power is not supplied to external devices (Max 79 VA) Box Unit Only: 48 VA When power is not supplied to external devices (Max 99 VA)
In-Rush Current	30 A or less			
Storage Temperature	-30...70 °C (-22...158 °F) - Box Type, -20...60 °C (-4...140 °F) - Panel Type			
Certifications	UL 61010-2-201, cUL, Class 1 Division 2 Groups A, B, C and D Programmable Controllers for use in HazLoc, and CSA C22.2 N°61010-2-201, CE, RCM, RoHS, REACH, KC, WEEE			
Ambient Air Temperature	Panel (Landscape) mounting: 0...55 °C (32...131 °F) with/without FAN kit (for 19" Wide, 0...50 °C (32...122 °F) with/without FAN kit), Panel (Portrait) mounting: 0...50 °C (32...122 °F) with/without FAN kit		Panel (Landscape) mounting: 0...55 °C (32...131 °F) (for 19" Wide, 0...50 °C (32...122 °F)) Panel (Portrait) mounting: 0...50 °C (32...122 °F)	
Ambient air and storage humidity	10...90% RH (non condensing, wet bulb temperature 39 °C [102.2 °F] or less)			
Pollution Degree	For use in Pollution Degree 2 environment			
Atmospheric pressure	800...1,114 hPa (2,000 m [6,561 ft] or lower)			
Vibration Resistance	IEC/EN 61131-2 compliant 5...9 Hz Single amplitude 3.5 mm (0.14 in) 9...150 Hz Fixed acceleration: 9.8 m/s ² X, Y, Z directions for 10 cycles (approximately 100 minutes)			
Structure	IP66F, IP67F, UL 50/50E, Type 1, Type 4X (indoor use only), Type 12, Type 13 NOTE: On the front panel when properly installed in an enclosure.			
Weight	6.1 kg (13.45 lb) or less ³		5.1 kg (11.24 lb) or less	
External Dimensions	308.5 x 230.5 x 95 mm (12.15 x 9.07 x 3.74 in) with PCI/PCIe slots: 308.5 x 230.5 x 172.4 mm (12.15 x 9.07 x 6.78 in) with FAN kit: 308.5 x 230.5 x 127.3 mm (12.15 x 9.07 x 5.04 in)		308.5 x 230.5 x 83 mm (12.15 x 9.07 x 3.27 in)	
Panel Cut-Out Dimensions	295 x 217 mm (11.61 x 8.54 in) ^{*1 & *2}			
Warranty	Two (2) years			

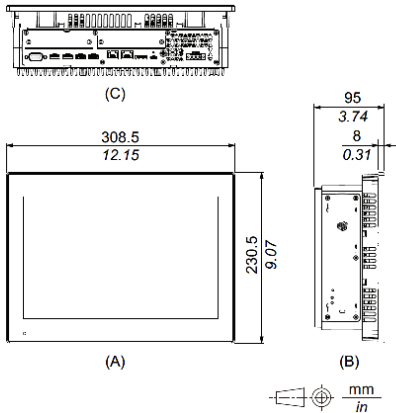
^{*1} For dimensional tolerance, everything +1/-0 mm (+0.04/-0 in) and R in angle are below R3 (R0.12 in). Even if the installation wall thickness is within the recommended range for the Panel Cut Dimensions, depending on wall's material, size, and installation location of this product and other devices, the installation wall could warp. To prevent warping, the installation surface may need to be strengthened. ^{*2} Even if the installation wall thickness is within the recommended range for the Panel Cut Dimensions, depending on wall's material, size, and installation location of this product and other devices, the installation wall could warp. ^{*3} If the PCI/PCIe slot or FAN kit is connected, add the corresponding weight as follows: PCI/PCIe slot: 1.5 kg (3.31 lb) FAN kit: 0.5 kg (1.10 lb) ^{*4} The power for panel and box must be added together to get the complete power consumption for the unit.

External Dimensions

Standard Model

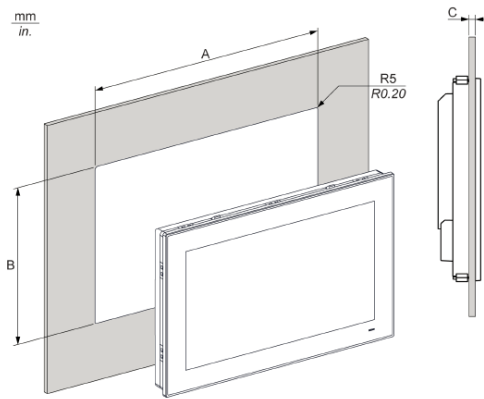


Advanced Model



*0 Slot models shown. Please reference manual for other slot or fan extensions.

Panel Cut Dimensions



IPC Cut-out	A	B	C
12.1"	295 ±1 mm [11.61 ±0.04 in.]	217 ±1 mm [8.54 ±0.04 in.]	1.5 to 5 mm [0.06 to 0.2 in.]

Ordering Information

P F X P 6 * E * * * * * * * *

Panel PC and Modular Displays: 12" Wide Screen Modular Display

- Box PC** 7: Box PC Core i7 (Advanced Box)
5: Box PC Core i5 (Advanced Box)
C: Box PC Celeron (Advanced Box)
3: Box PC Core i3 (Standard Box)
- Display** E: 12.1" Wide Display
- Power Supply** D: 24 Vdc for Advanced Box
1: 24 Vdc for Standard Box
A: 100 - 240 Vac for Advanced Box
2: 100 - 240 Vac for Standard Box
- Slots** 0: 0 slots
M: PCI x 1 + PCIe x 1
E: PCIe x 2
P: PCI x 2
- Fan** N: None
F: With Fan
- Storage Device** 0 None
1: M.2 SSD 128 GB (Standard Endurance)
2: Interface - M.2 SSD 128 GB (High Endurance)
3: Interface - M.2 SSD 256 GB (High Endurance)
4: Interface - M.2 SSD 512 GB (High Endurance)
5: Interface - SSD 128 GB (High Endurance)
6: Interface - SSD 256 GB (High Endurance)
7: Interface - SSD 512 GB (High Endurance)
8: Interface - HDD 1 TB
- Secondary Storage** 0: None
5: SSD 128 GB (High Endurance)
6: SSD 256 GB (High Endurance)
7: SSD 512 GB (High Endurance)
8: HDD 1 TB
- Memory** 4: DIMM 4 GB (4 GB x 1)
8: DIMM 8 GB (4 GB x 2)
A: DIMM 16 GB (8 GB x 2)
B: DIMM 32 GB (16 GB x 2)
- Options** N: None
B: RS-232C isolated x 2
C: RS-232C x 4
D: RS-422/485 isolated x 2
E: Ethernet (GbE IEEE1588) x 1
- Operating System** N: None
C: Windows®10 IoT Ent 2019 LTSC (64bit) for Celeron
3: Windows®10 IoT Ent 2019 LTSC (64bit) for Core i3/i5
7: Windows®10 IoT Ent 2019 LTSC (64bit) for Core i7
- Software** N: None
B: BLUE license key code B
R: Pro-face Remote HMI Server license key code
C: BLUE Open Studio RT 1.5 K license key code
D: BLUE Open Studio RT 4 K license key code
F: BLUE Open Studio RT 32 K license key code
E: BLUE Open Studio RT 64 K license key code
- Warranty** None (Standard)
One year extended
Two year extended