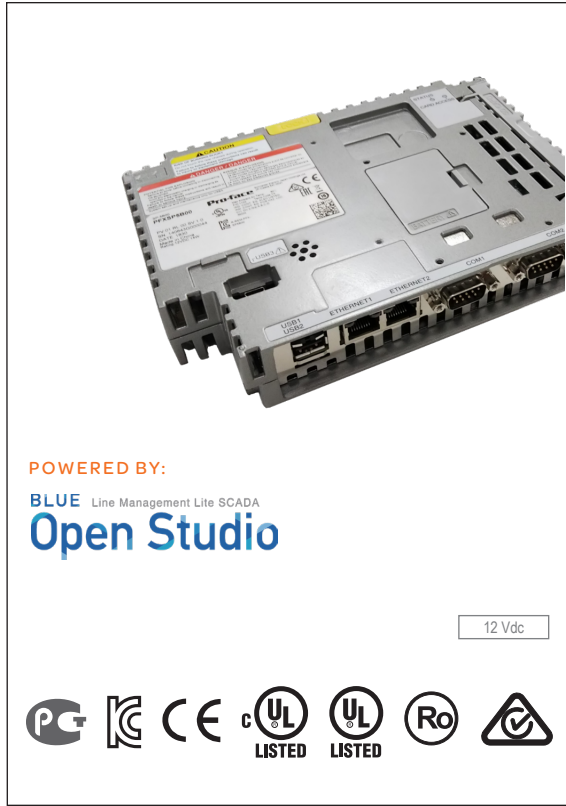


SP-5B411 Open Box Module



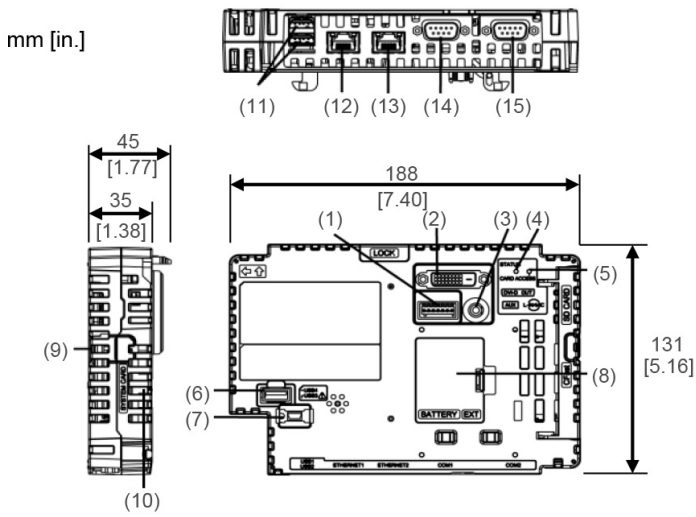
Features:

- Enhanced maintenance process.
- Combine with any SP6000 screen size
- Programmable with BLUE Open Studio
- Enhanced Connectivity: 2 Ethernet ports, 2 COM ports, 3 Type A USB ports, 1 mini USB

Performance Specifications		
Models	SP-5B411 Open Box	
Part Number	PFXSP5B411	
Operating System	Windows® 10 IoT Enterprise 2019 LTSC 32bit	
CPU	Intel Atom Processor E3825 1.3GHZ Dual core/Dual thread	
Main Memory	DDR3 SDRAM 4 GB	
Main Storage Memory	256 MB Video Memory 32 GB CFast Card, Free space about 17 GB	
Backup Memory	NVRAM 512 KB	
Interfaces	Serial COM1 COM2	RS-232C/422/485, Data Length: 7 or 8 bits Stop Bit: 1 or 2 bits Parity: None, odd, or even. Data Transmission Speed: 2,400(1,200)...115,200 bps Connector: D-Sub 9 pin (plug)
	Ethernet	Standard: IEEE802.3i/IEEE802.3u/IEEE802.3ab, 10BASE-T/100BASE-TX/1000BASE-T Connector: Modular jack (RJ-45) x 2
	USB	Type A (V2.0) x3, Mini B (V2.0) x 1
	SD Card	SD Card Slot (Storage) x 1
	CFast Card	CFast Card Slot (System) x 1, CFast Card Slot (Storage) x 1
	Video Output	DVI-D OUT Connector: DVI-D 24 pin (socket) x 1
	Audio Output	Speaker Output: 300mW (Rated Load: 8Ω, Frequency : 1kHz) LINE Output: Rated load: 10kΩ or more Connector: 2-piece terminal block (AUX) x 1

General Specifications	
Input Voltage	12Vdc (Supply from Display Module)
Power Consumption	25W (max), 15W or less (when power is not supplied to external devices)
Surrounding Air Temperature	0...60 °C [32...140 °F]
Storage Temperature	- 20 to +60 °C (- 4 to +140 °F)
Certifications	UL 61010-1 & UL61010-2-201, CSA-C22.2 No.61010-1 & CSA-C22.2 No.61010-2-201, CE, RoHS, GOST-R
Ratings	UL/CSA Class 1 Div 2 Group A,B,C and D, CSA C22.2No213, ANSI/ISA 12.12.01, EN61000-6-4, EN61000-6-2, Class 1 Div 2 Groups A, B, C and D, IP65, Standard EN/IEC 61131-2
Surrounding Air and Storage Humidity	10%...90% RH (Non condensing, wet bulb temperature / 39°C [102.2 °F] or less)
Dust	0.1 mg/m3 (10-7 oz/ft3) or less (non-conductive levels)
Pollution Degree	For use in Pollution Degree 2 environment
Corrosive Gas	Free of corrosive gases
Atmospheric Pressure (Operating Altitude)	800...1,114 hPa (2,000 m [6,561 ft] or lower)
Vibration Resistance	IEC/EN 61131-2 compliant / 5...9 Hz Single amplitude 3.5 mm (0.14 in.) / 9...150 Hz Fixed acceleration: 9.8 m/s2 / X, Y, Z directions for 10 cycles (approx. 100 min.)
Shock Resistance	IEC/EN 61131-2 compliant / 147 m/s2, X, Y, Z directions for 3 times
Electrostatic Discharge Immunity	Contact Discharge Method: 6 kV (IEC/EN 61000-4-2 Level 3)
Weight	0.9kg [1.98lb] or less
External Dimensions	W188 x H131 x D45m [W7.4 x H5.16 x D1.77 in.]

External Dimensions — SP-5B411

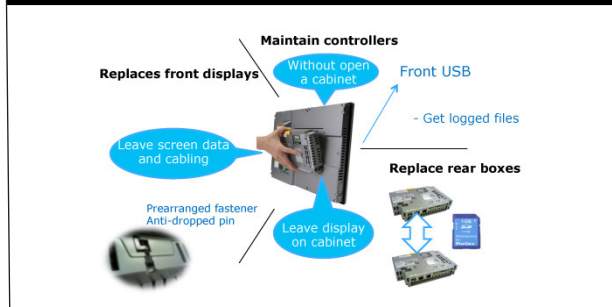


- (1)Auxiliary Output/Speaker Output Interface (AUX) (2)DVI-D Output Interface (3)AUDIO Input Interface (LIN/MIC) (4)Status LED (5)Card Access LED (6)USB (Type A) Interface (7)USB (mini-B) Interface (8)Expansion Unit Interface Cover (EXT) (9)Storage Card Cover (10)System Card Cover (11)USB (Type A) Interface (12)Ethernet Interface (ETH1) (13)Ethernet Interface (ETH2) (14)Serial Interface (COM1) (15)Serial Interface (COM2)

Options

Part Number	Product Name	Description
PFXSP5B411	SP5000 Open Box with WIN 10	SP5000 Open Box with WIN 10 and 4GB memory
PFXZCDCNAUX1	AUX Connector	AUX connector required in case an external output is used (5 pcs/set).
PFXZCSD1GC61	SD Memory Card (1 GB)	SD Memory Card (1 GB, SLC, Class 6) for System Card
PFXZCSDCCFA321	CFast Card	32 GB
PFXSP5B41S8B	Bundle	Preinstalled BLUE Open Studio Runtime v8.1 SP2 (Trial)
PFXZCDAEXP1	Adapter	Adapter that attaches to the SP5000 Series Box Module to supply power to the Box Module
PFXZSPATWM1	Adapter	Wall Mount Adapter for Multi-Converter

Modular Design and Easy Maintenance



Premium display

[Multi-touch *] [Auto-scaling] [Brightness sensor] [Front USB (Type A & mini B)]
 * Multi-touch on Win10 Open Box will be supported in 2020 Q4

SP-5800WC
19" wide
FWXGA

SP-5700WC
15" wide
FWXGA

SP-5700TP
15"
XGA

SP-5660TP
12"
XGA

SP-5600TP
12"
XGA

SP-5500TP
10"
SVGA

Advanced display

[Single-touch]

SP-5600TA
12"
XGA

SP-5600WA
12" wide
WXGA

SP-5500WA
10" wide
WXGA

SP-5400WA
7" wide
WVGA

Multi-Converter

Solution for data collection, connecting to a wide variety of equipment as well as PLC!

PFXZCDAEXP1

Open Box

Enable to utilize Windows Applications together with HMI

NEW SP-5B411 Win10: BLUE ,BOS (PC/AT Runtime)

SP-5B41 WES7: GP-Pro EX, BLUE, BOS

Power Box

Reliable Real-time OS
High performance & expandable HMI

SP-5B10 **GP-Pro EX, BLUE**

Standard Box

Reliable Real-time OS
High performance HMI

SP-5B00 **GP-Pro EX**

Multi Display Adapter

Separate installation across long distances with LAN cable

Option PFXZCDAEXR1 **MDA Configuration Tool** (Driver, Setting tool)