

ST-6600WA Basic HMI



Features:

- Aluminum Front Panel
- 16 Million Colors
- Enhanced Cybersecurity
- Easy to Install, No Tools Needed
- Single Touch Analog Display
- 2 Ethernet Ports, Serial Ports, USB

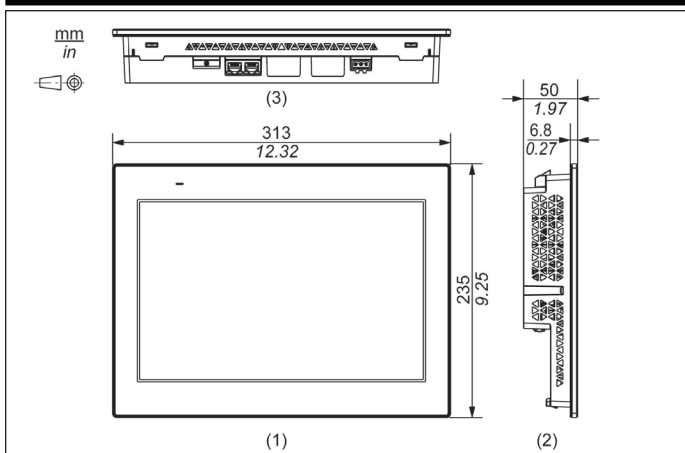
Performance Specifications		
Part Numbers	PFXST6600WAD (BLUE)	PFXST6600WADE (GP-Pro EX)
Graphics Display Resolution	WXGA TFT (1,280 x 800 Pixels)	
Display Type and Size	TFT Color LCD (12.1-inch) Wide	
Display Colors	16 million colors	
Touch Panel	Resistive film (analog, single touch)	
Effective Display Area	261.12 x 163.2 mm (10.28 x 6.43 in)	
ToucPanel Resolution	1024 x 1024	
Backlight	Backlight White LED (Not user replaceable. When replacement is required, contact customer support.)	
Backlight Service Life	50,000 hours or more (continuous operation at 25 °C [77 °F] before backlight brightness decreases to 25%)	
Brightness Control	16 levels (Adjusted with touch panel or software)	
Interface	USB (Type A)	Connector: USB 2.0 (Type A) x 1, Power supply voltage: 5 Vdc ±5 %, Maximum current supplied: 500 mA, Communication distance: 5 m [16.4 ft.]
	USB (Type - microB)	Conforms to USB 2.0 (micro-B) x 1, Maximum transmission distance : 5 m [16.4 ft]
	Ethernet	IEEE802.3i/IEEE802.3u, 10BASE-T/100BASE-TX, Connector: Modular jack (RJ-45) x 2
	Serial (COM1)	Asynchronous Transmission: RS-232C, Data Length: 7 or 8 bits, Stop Bit: 1 or 2 bits, Parity: None, Even or Odd, Data Transmission Speed: 2,400 to 115,200 bps, Connector: D-Sub 9 (plug)
	Serial (COM2)	Asynchronous Transmission: RS-422/485, Data Length: 7 or 8 bits, Stop Bit: 1 or 2 bits, Parity: None, Even or Odd, Data Transmission Speed: 2,400 to 115,200 bps, Connector: D-Sub 9 (plug)

General Specifications		
Part Numbers	PFXST6600WAD (BLUE)	PFXST6600WADE (GP-Pro-EX)
Input Voltage	Rated Input Voltage: 24 Vdc / Input Voltage Limits: 19.2 to 28.8 Vdc	
Power Consumption	15 W or less when power is not supplied to devices via from USB, 5.9 W or less when screen turns off the backlight (standby mode) (Max 18.4 W)	
In-Rush Current	30 A or less	
Storage Temperature	-20 to 60 °C (-4 to 140 °F)	
Shock Resistance	IEC/EN 61131-2 compliant 147 m/s ² , X, Y, Z directions for 3 times	
Certifications	UL 61010-2-201 and CSA C22.2 No61010-2-201, KC KN1, KN61000-6-2, RCM EN61000-6-4, CE EN 61131-2, EN61000-6-4, EN61000-6-2, RoHS, REACH Regulation EC 1907/2006, WEEE Directive 2012/19/EU	
Operating Temperature	0 to 50 °C (32 to 122 °F)	
Voltage Drop	10 ms or less	
Corrosive Gas	Free of corrosive gases	
Pollution Degree	For use in pollution degree 2 environment	
Cooling method	Natural air circulation	
Dust	0.1 mg/m ³ (10 ⁻⁷ oz/ft ³) or less (non-conductive levels)	
Voltage Endurance	1,000 Vac, 20 mA for 1 minute (between charging and FG terminals)	
Vibration Resistance	IEC/EN 61131-2 compliant, 5 to 9 Hz single amplitude 3.5 mm [0.14 in.], 9 to 150 Hz fixed acceleration: 9.8 m/s ² , X, Y, Z directions for 10 cycles (approx. 100 min.)	
Insulation Resistance	500 Vdc, 10 MΩ or more	
Structure	IP65F, Type 1, Type 4X (indoor use only), Type 13 (on the front panel when properly installed in an enclosure) ^{*1}	
Weight	1.8 kg (3.97 lb) or less	
External Dimensions	313 x 235 x 50 mm (12.32 x 9.25 x 1.97 in)	
Panel Cut-Out Dimensions	295 x 217 mm (11.61 x 8.54 in) ^{*2} Panel thickness area: 1.6...5 mm (0.06...0.2 in) ^{*2}	
Warranty	Two (2) years	

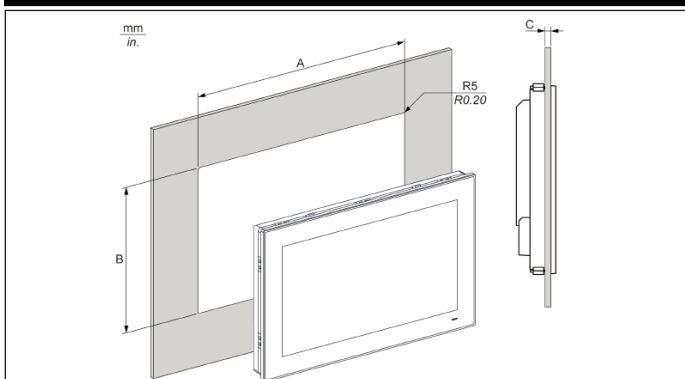
¹ For dimensional tolerance, everything +1/-0 mm (+0.04/-0 in) and R in angle are below R3 (R0.12 in)

² Even if the installation wall thickness is within the recommended range for the "Panel Cut Dimensions", depending on wall's material, size, and installation location of this product and other

External Dimensions



Panel Cut-Out Dimensions



Panel Cut Out	A	B	C
12.1" Wide	295 ±0.7 mm (11.61 ±0.03 in.)	217 ±0.4 mm (8.54 ±0.02 in.)	1.6 to 5 mm (0.06 to 0.2 in.)

Ordering Information

Model Number	Description
PFXST6600WAD	12.1"W Basic HMI 12.1"W 1280 x 800 pixel 16M colors display with analog signal touch panel, Ethernet(RJ45) x 2, USB Host, 24VDC, Serial Ports (COM 1 & 2) USB ports, programmable with BLUE.
PFXST6600WADE	12.1"W Basic HMI 12.1"W 1280 x 800 pixel 16M colors display with analog signal touch panel, Ethernet(RJ45) x 2, USB Host, 24VDC, Serial Ports (COM 1 & 2) USB ports, programmable with GP-Pro EX.

Options

Part Number	Description
PFXZCIAFTF1	Installation fastener (2 pieces/set).
PFXZCIWG123	Installation Gasket
CA5-DCCNM-01	Connector to connect DC power supply cables.
PFXZCDDS122	Disposable, dirt-resistant sheet for the display (5 sheets/set) for STW-6600WA.
FP-US00	Connects a USB device.
CA5-USBEXT-01	Extension cable that attaches USB interface to front panel.
PFXZCBCLUSA1	Clamp to prevent disconnection of USB cable (USB Type A, 1 port, 5 clamps/set)